
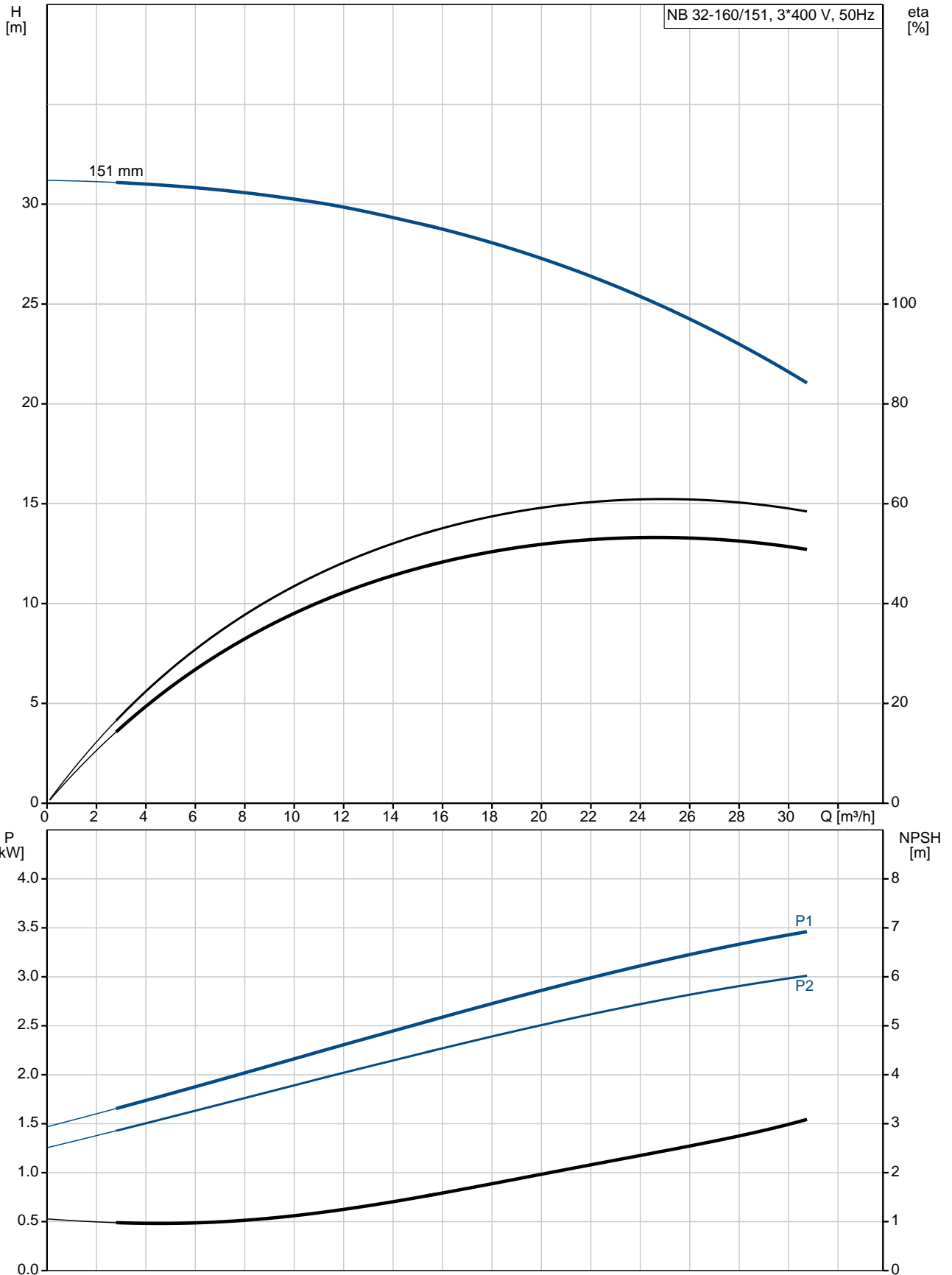


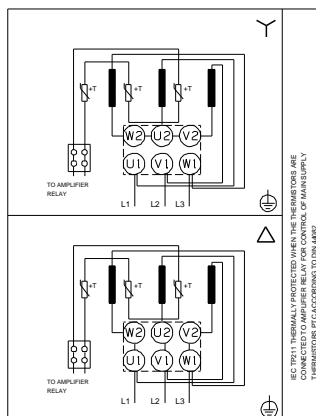
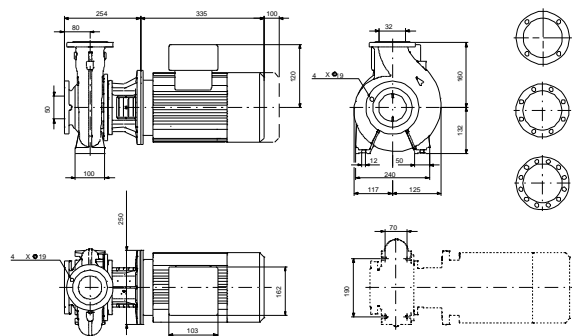
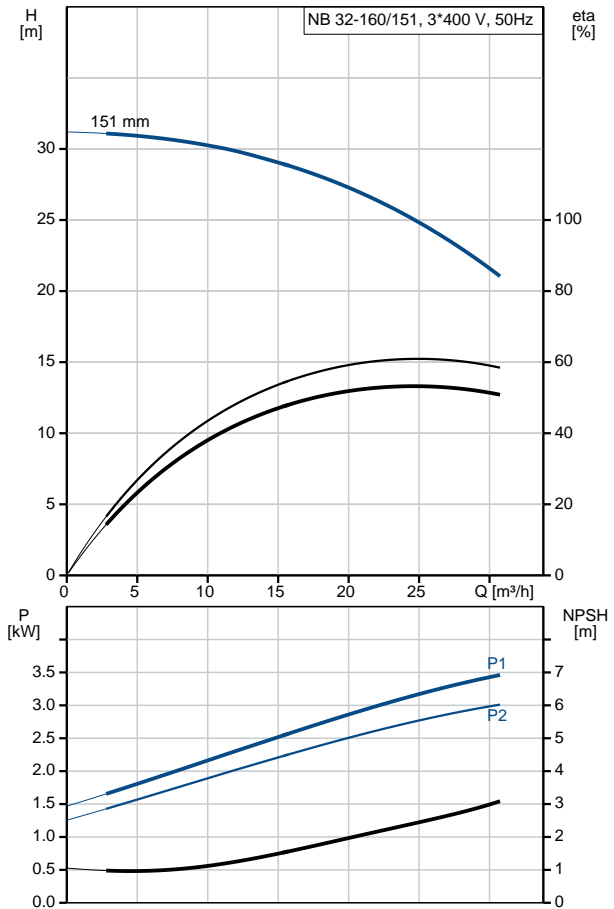
| Qty. | Description |
|------|---|
| 1 | <p data-bbox="197 338 517 369">NB 32-160/151 AF2ABQQE</p> <div data-bbox="288 456 509 600">  </div> <p data-bbox="197 660 469 692">Product No.: 98054003</p> <p data-bbox="197 719 1458 772">Non-self-priming, single-stage, centrifugal volute pump designed according to ISO 5199 with dimensions and rated performance according to EN 733 (10 bar).</p> <p data-bbox="197 806 1449 884">Flanges are PN 16 with dimensions according to EN 1092-2. The pump has an axial suction port, radial discharge port, horizontal shaft and a back pull-out design enabling removal of the motor, motor stool, cover and impeller without disturbing the pump housing or pipework.</p> <p data-bbox="197 896 943 927">The unbalanced rubber bellows seal is according to DIN EN 12756.</p> <p data-bbox="197 927 908 958">The pump is close-coupled to a fan-cooled asynchronous motor.</p> <p data-bbox="197 983 316 1014">Controls:</p> <p data-bbox="197 1014 638 1046">Frequency converter: NONE</p> <p data-bbox="197 1070 288 1102">Liquid:</p> <p data-bbox="197 1102 635 1133">Pumped liquid: Water</p> <p data-bbox="197 1133 707 1164">Liquid temperature range: -25 .. 120 °C</p> <p data-bbox="197 1164 687 1196">Liquid temperature during operation: 20 °C</p> <p data-bbox="197 1196 699 1227">Density: 998.2 kg/m³</p> <p data-bbox="197 1252 328 1283">Technical:</p> <p data-bbox="197 1283 673 1314">Rated flow: 25.1 m³/h</p> <p data-bbox="197 1314 644 1346">Rated head: 24.3 m</p> <p data-bbox="197 1346 657 1377">Actual impeller diameter: 151 mm</p> <p data-bbox="197 1377 657 1408">Nominal impeller diameter: 160 mm</p> <p data-bbox="197 1408 635 1440">Shaft seal arrangement: Single</p> <p data-bbox="197 1440 638 1471">Code for shaft seal: BQQE</p> <p data-bbox="197 1471 764 1503">Curve tolerance: ISO9906:2012 3B</p> <p data-bbox="197 1527 320 1559">Materials:</p> <p data-bbox="197 1559 735 1637">Pump housing: Cast iron EN-GJL-250 ASTM class 35</p> <p data-bbox="197 1637 632 1668">Wear ring: Brass</p> <p data-bbox="197 1668 735 1747">Impeller: Cast iron EN-GJL-200 ASTM class 30</p> <p data-bbox="197 1747 729 1843">Shaft: Stainless steel EN 1.4301 AISI 304</p> <p data-bbox="197 1868 344 1899">Installation:</p> <p data-bbox="197 1899 632 1930">Maximum ambient temperature: 60 °C</p> <p data-bbox="197 1930 638 1962">Maximum operating pressure: 16 bar</p> <p data-bbox="197 1962 687 1993">Pipe connection standard: EN 1092-2</p> <p data-bbox="197 1993 638 2024">Size of inlet connection: DN 50</p> <p data-bbox="197 2024 638 2056">Size of outlet connection: DN 32</p> <p data-bbox="197 2056 687 2087">Pressure rating for pipe connection: PN 16</p> <p data-bbox="197 2087 584 2119">Pump housing with feet: Y</p> |

| Qty. | Description |
|------|---|
| | Support block: N |
| | Electrical data: |
| | IE Efficiency class: IE3 |
| | P2: 3 kW |
| | Mains frequency: 50 Hz |
| | Rated voltage: 3 x 220-240D/380-415Y V |
| | Rated current: 11.0/6.30 A |
| | Starting current: 840-920 % |
| | Cos phi - power factor: 0.87-0.82 |
| | Rated speed: 2900-2920 rpm |
| | Efficiency: IE3 87,1% |
| | Motor efficiency at full load: 87.1 % |
| | Motor efficiency at 3/4 load: 88.0 % |
| | Motor efficiency at 1/2 load: 87.7 % |
| | Number of poles: 2 |
| | Enclosure class (IEC 34-5): 55 Dust/Jetting |
| | Insulation class (IEC 85): F |
| | Others: |
| | Minimum efficiency index, MEI $\hat{\%}$: 0.59 |
| | Net weight: 52 kg |
| | Gross weight: 62 kg |
| | Shipping volume: 0.178 m ³ |
| | Country of origin: HU |
| | Custom tariff no.: 84137051 |

98054003 NB 32-160/151 AF2ABQQE 50 Hz



| Description | Value |
|--------------------------------------|--|
| General information: | |
| Product name: | NB 32-160/151 AF2ABQQE |
| Product No: | 98054003 |
| EAN number: | 5710628180217 |
| Price: | 1.590,00 GBP |
| Technical: | |
| Rated flow: | 25.1 m ³ /h |
| Rated head: | 24.3 m |
| Actual impeller diameter: | 151 mm |
| Nominal impeller diameter: | 160 mm |
| Shaft seal arrangement: | Single |
| Shaft diameter: | 24 mm |
| Code for shaft seal: | BQQE |
| Curve tolerance: | ISO9906:2012 3B |
| Pump version: | A |
| Materials: | |
| Pump housing: | Cast iron EN-GJL-250 ASTM class 35 |
| Wear ring: | Brass |
| Impeller: | Cast iron EN-GJL-200 ASTM class 30 |
| Shaft: | Stainless steel EN 1.4301 AISI 304 |
| Material code: | A |
| Installation: | |
| Maximum ambient temperature: | 60 °C |
| Maximum operating pressure: | 16 bar |
| Pipe connection standard: | EN 1092-2 |
| Size of inlet connection: | DN 50 |
| Size of outlet connection: | DN 32 |
| Pressure rating for pipe connection: | PN 16 |
| Pump housing with feet: | Y |
| Support block: | N |
| Connect code: | F2 |
| Liquid: | |
| Pumped liquid: | Water |
| Liquid temperature range: | -25 .. 120 °C |
| Liquid temperature during operation: | 20 °C |
| Density: | 998.2 kg/m ³ |
| Electrical data: | |
| IE Efficiency class: | IE3 |
| P2: | 3 kW |
| Mains frequency: | 50 Hz |
| Rated voltage: | 3 x 220-240D/380-415V V |
| Rated current: | 11.0/6.30 A |
| Starting current: | 840-920 % |
| Cos phi - power factor: | 0.87-0.82 |
| Rated speed: | 2900-2920 rpm |
| Efficiency: | IE3 87,1% |
| Motor efficiency at full load: | 87.1 % |
| Motor efficiency at 3/4 load: | 88.0 % |
| Motor efficiency at 1/2 load: | 87.7 % |
| Number of poles: | 2 |
| Enclosure class (IEC 34-5): | 55 Dust/Jetting |
| Insulation class (IEC 85): | F |





Company name:

Created by:

Phone:

Date:

21/03/2019

| Description | Value |
|---|----------------------|
| Motor protec: | PTC |
| Motor No: | 87272295 |
| Mount. design. acc. IEC 34-7: | IM V1/B5 |
| Controls: | |
| Frequency converter: | NONE |
| Others: | |
| Minimum efficiency index, MEI η ‰: | 0.59 |
| Net weight: | 52 kg |
| Gross weight: | 62 kg |
| Shipping volume: | 0.178 m ³ |
| Country of origin: | HU |
| Custom tariff no.: | 84137051 |

98054003 NB 32-160/151 AF2ABQQE 50 Hz

