
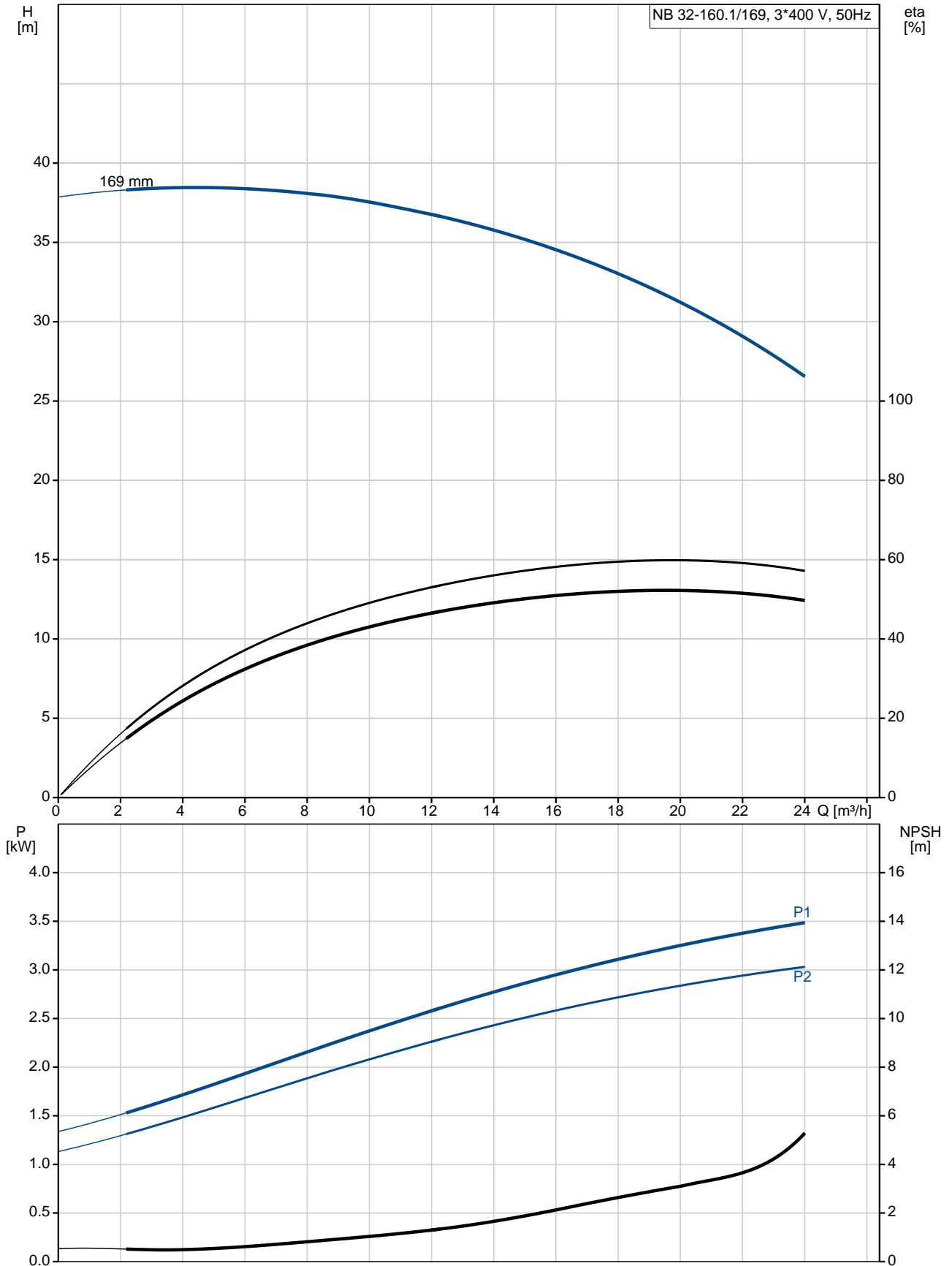


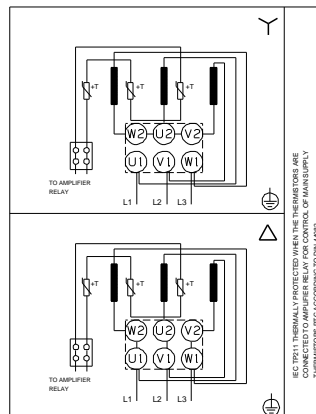
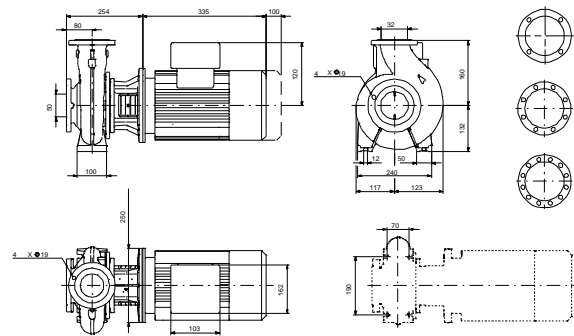
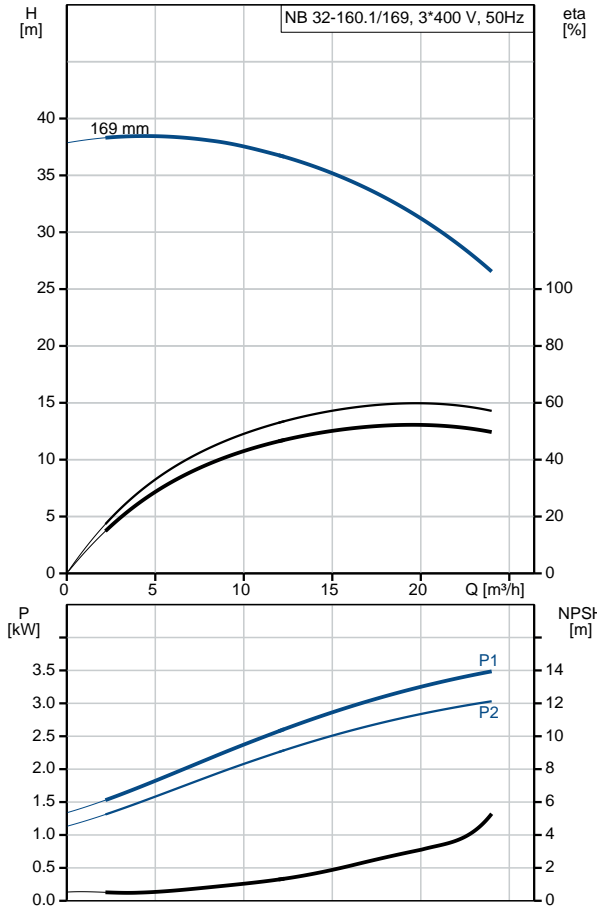
| Qty. | Description |
|------|---|
| 1 | <p data-bbox="199 336 534 369">NB 32-160.1/169 AF2ABQQE</p> <div data-bbox="287 448 510 604" style="text-align: center;">  </div> <p data-bbox="199 660 470 694">Product No.: 98052675</p> <p data-bbox="199 716 1460 772">Non-self-priming, single-stage, centrifugal volute pump designed according to ISO 5199 with dimensions and rated performance according to EN 733 (10 bar).</p> <p data-bbox="199 806 1452 884">Flanges are PN 16 with dimensions according to EN 1092-2. The pump has an axial suction port, radial discharge port, horizontal shaft and a back pull-out design enabling removal of the motor, motor stool, cover and impeller without disturbing the pump housing or pipework.</p> <p data-bbox="199 896 941 929">The unbalanced rubber bellows seal is according to DIN EN 12756.</p> <p data-bbox="199 929 909 963">The pump is close-coupled to a fan-cooled asynchronous motor.</p> <p data-bbox="199 985 319 1019">Controls:</p> <p data-bbox="199 1019 638 1052">Frequency converter: NONE</p> <p data-bbox="199 1075 295 1108">Liquid:</p> <p data-bbox="199 1108 638 1142">Pumped liquid: Water</p> <p data-bbox="199 1142 710 1176">Liquid temperature range: -25 .. 120 °C</p> <p data-bbox="199 1176 694 1209">Liquid temperature during operation: 20 °C</p> <p data-bbox="199 1209 702 1243">Density: 998.2 kg/m³</p> <p data-bbox="199 1254 327 1288">Technical:</p> <p data-bbox="199 1288 678 1321">Rated flow: 20.4 m³/h</p> <p data-bbox="199 1321 646 1355">Rated head: 31.9 m</p> <p data-bbox="199 1355 662 1388">Actual impeller diameter: 169 mm</p> <p data-bbox="199 1388 678 1422">Nominal impeller diameter: 160.1 mm</p> <p data-bbox="199 1422 638 1456">Shaft seal arrangement: Single</p> <p data-bbox="199 1456 638 1489">Code for shaft seal: BQQE</p> <p data-bbox="199 1489 766 1523">Curve tolerance: ISO9906:2012 3B</p> <p data-bbox="199 1534 327 1568">Materials:</p> <p data-bbox="199 1568 742 1646">Pump housing: Cast iron EN-GJL-250 ASTM class 35</p> <p data-bbox="199 1646 638 1680">Wear ring: Brass</p> <p data-bbox="199 1680 742 1758">Impeller: Cast iron EN-GJL-200 ASTM class 30</p> <p data-bbox="199 1758 734 1848">Shaft: Stainless steel EN 1.4301 AISI 304</p> <p data-bbox="199 1881 343 1915">Installation:</p> <p data-bbox="199 1915 638 1948">Maximum ambient temperature: 60 °C</p> <p data-bbox="199 1948 646 1982">Maximum operating pressure: 16 bar</p> <p data-bbox="199 1982 694 2016">Pipe connection standard: EN 1092-2</p> <p data-bbox="199 2016 646 2049">Size of inlet connection: DN 50</p> <p data-bbox="199 2049 646 2083">Size of outlet connection: DN 32</p> <p data-bbox="199 2083 694 2116">Pressure rating for pipe connection: PN 16</p> <p data-bbox="199 2116 590 2150">Pump housing with feet: Y</p> |

| Qty. | Description |
|------|--|
| | <p>Support block: N</p> <p>Electrical data:</p> <p>IE Efficiency class: IE3</p> <p>P2: 3 kW</p> <p>Mains frequency: 50 Hz</p> <p>Rated voltage: 3 x 220-240D/380-415Y V</p> <p>Rated current: 11.0/6.30 A</p> <p>Starting current: 840-920 %</p> <p>Cos phi - power factor: 0.87-0.82</p> <p>Rated speed: 2900-2920 rpm</p> <p>Efficiency: IE3 87,1%</p> <p>Motor efficiency at full load: 87.1 %</p> <p>Motor efficiency at 3/4 load: 88.0 %</p> <p>Motor efficiency at 1/2 load: 87.7 %</p> <p>Number of poles: 2</p> <p>Enclosure class (IEC 34-5): 55 Dust/Jetting</p> <p>Insulation class (IEC 85): F</p> <p>Others:</p> <p>Minimum efficiency index, MEI $\hat{\alpha}\%$: 0.70</p> <p>Net weight: 53 kg</p> <p>Gross weight: 63 kg</p> <p>Shipping volume: 0.178 m³</p> <p>Country of origin: HU</p> <p>Custom tariff no.: 84137051</p> |

98052675 NB 32-160.1/169 AF2ABQQE 50 Hz



| Description | Value |
|--------------------------------------|--|
| General information: | |
| Product name: | NB 32-160.1/169 AF2ABQQE |
| Product No: | 98052675 |
| EAN number: | 5710628156243 |
| Price: | 1.576,00 GBP |
| Technical: | |
| Rated flow: | 20.4 m ³ /h |
| Rated head: | 31.9 m |
| Actual impeller diameter: | 169 mm |
| Nominal impeller diameter: | 160.1 mm |
| Shaft seal arrangement: | Single |
| Shaft diameter: | 24 mm |
| Code for shaft seal: | BQQE |
| Curve tolerance: | ISO9906:2012 3B |
| Pump version: | A |
| Materials: | |
| Pump housing: | Cast iron EN-GJL-250 ASTM class 35 |
| Wear ring: | Brass |
| Impeller: | Cast iron EN-GJL-200 ASTM class 30 |
| Shaft: | Stainless steel EN 1.4301 AISI 304 |
| Material code: | A |
| Installation: | |
| Maximum ambient temperature: | 60 °C |
| Maximum operating pressure: | 16 bar |
| Pipe connection standard: | EN 1092-2 |
| Size of inlet connection: | DN 50 |
| Size of outlet connection: | DN 32 |
| Pressure rating for pipe connection: | PN 16 |
| Pump housing with feet: | Y |
| Support block: | N |
| Connect code: | F2 |
| Liquid: | |
| Pumped liquid: | Water |
| Liquid temperature range: | -25 .. 120 °C |
| Liquid temperature during operation: | 20 °C |
| Density: | 998.2 kg/m ³ |
| Electrical data: | |
| IE Efficiency class: | IE3 |
| P2: | 3 kW |
| Mains frequency: | 50 Hz |
| Rated voltage: | 3 x 220-240D/380-415Y V |
| Rated current: | 11.0/6.30 A |
| Starting current: | 840-920 % |
| Cos phi - power factor: | 0.87-0.82 |
| Rated speed: | 2900-2920 rpm |
| Efficiency: | IE3 87,1% |
| Motor efficiency at full load: | 87.1 % |
| Motor efficiency at 3/4 load: | 88.0 % |
| Motor efficiency at 1/2 load: | 87.7 % |
| Number of poles: | 2 |
| Enclosure class (IEC 34-5): | 55 Dust/Jetting |





Company name:

Created by:

Phone:

Date:

21/03/2019

| Description | Value |
|---|----------------------|
| Insulation class (IEC 85): | F |
| Motor protec: | PTC |
| Motor No: | 87272295 |
| Mount. design. acc. IEC 34-7: | IM V1/B5 |
| Controls: | |
| Frequency converter: | NONE |
| Others: | |
| Minimum efficiency index, MEI $\eta_{\%}$: | 0.70 |
| Net weight: | 53 kg |
| Gross weight: | 63 kg |
| Shipping volume: | 0.178 m ³ |
| Country of origin: | HU |
| Custom tariff no.: | 84137051 |

98052675 NB 32-160.1/169 AF2ABQQE 50 Hz

