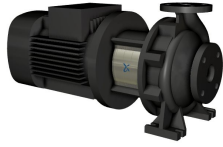
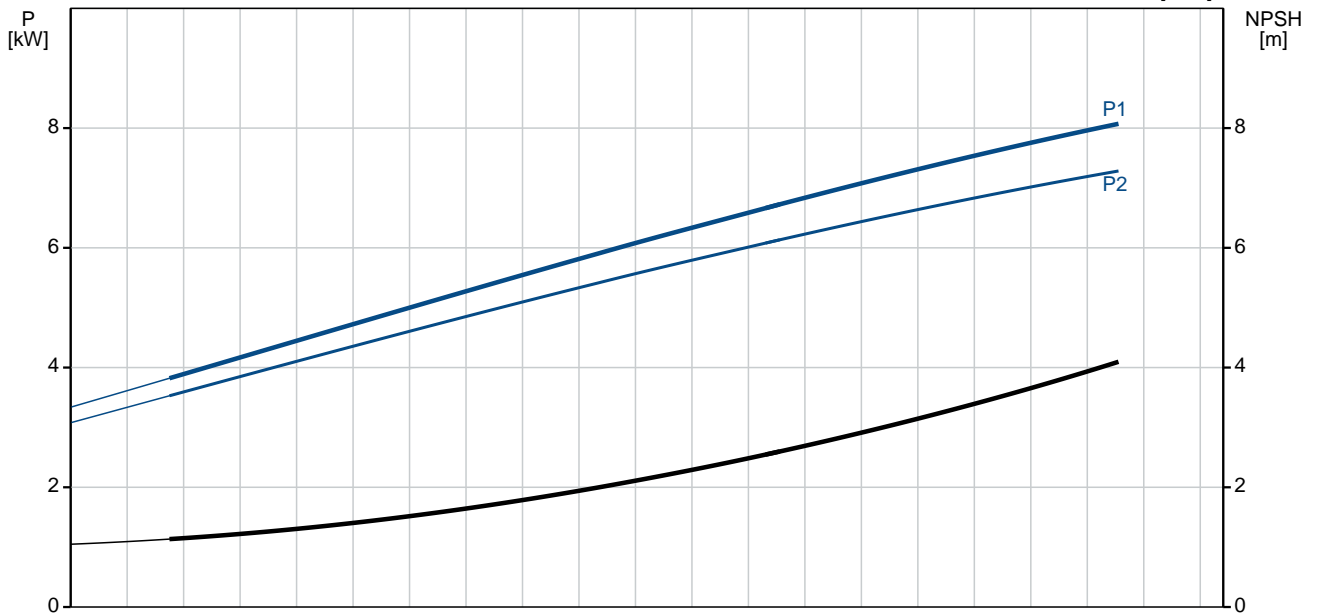
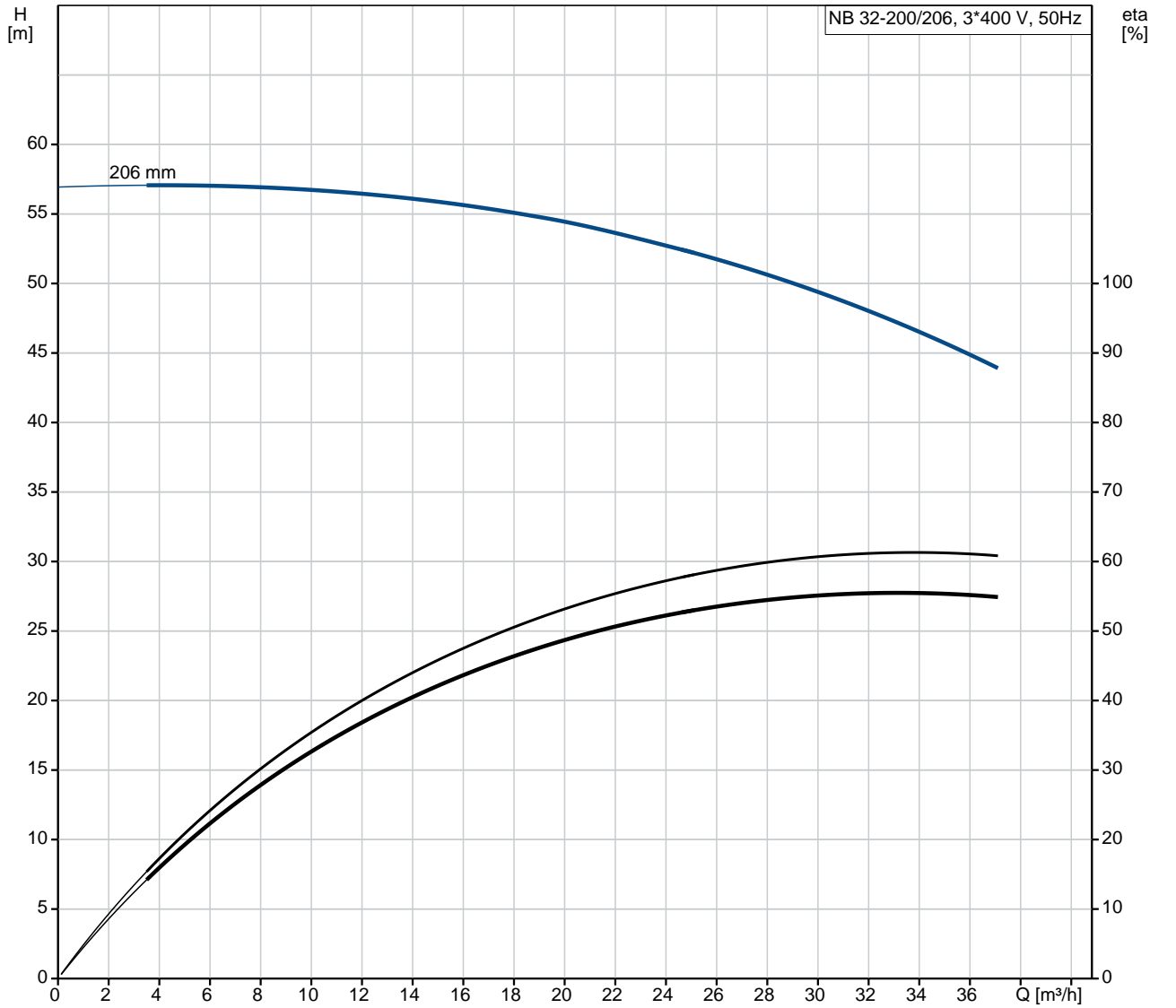


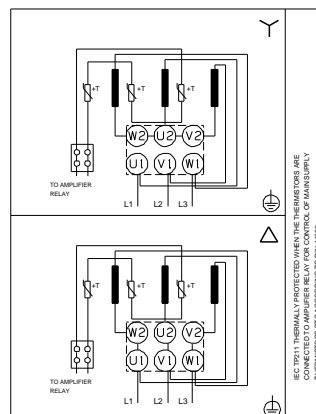
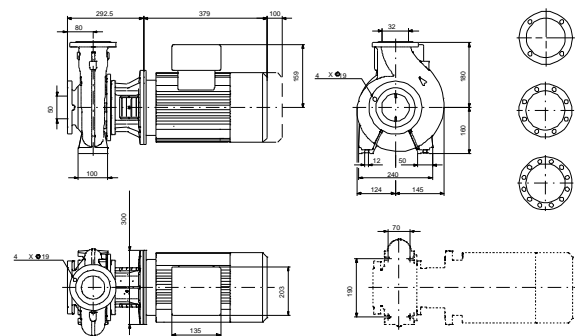
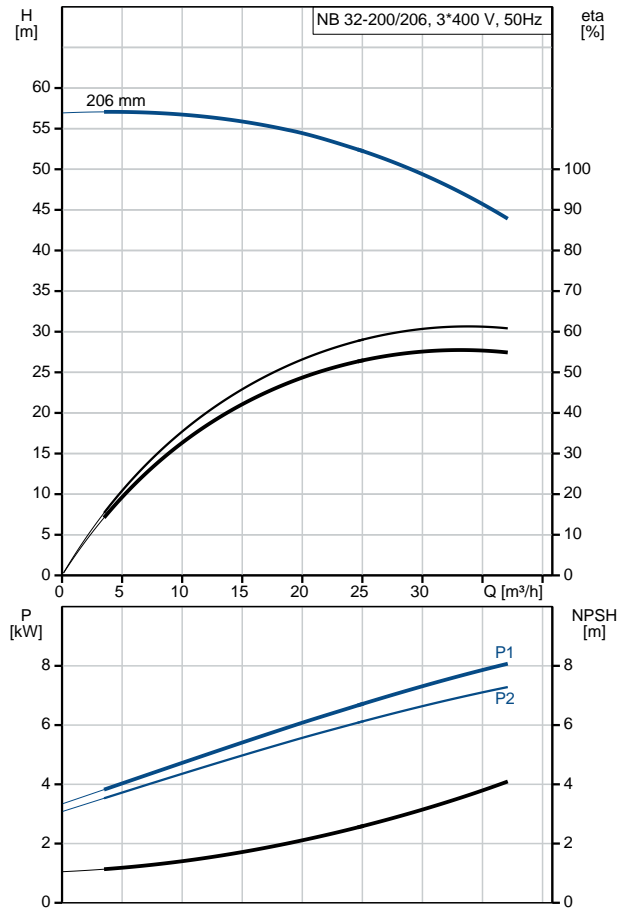
Qty.	Description
1	<p data-bbox="199 338 517 367"><b>NB 32-200/206 AF2ABQQE</b></p> <div data-bbox="284 454 507 600">  </div> <p data-bbox="199 660 466 689">Product No.: <a href="#">98042381</a></p> <p data-bbox="199 719 1461 772">Non-self-priming, single-stage, centrifugal volute pump designed according to ISO 5199 with dimensions and rated performance according to EN 733 (10 bar).</p> <p data-bbox="199 806 1452 884">Flanges are PN 16 with dimensions according to EN 1092-2. The pump has an axial suction port, radial discharge port, horizontal shaft and a back pull-out design enabling removal of the motor, motor stool, cover and impeller without disturbing the pump housing or pipework.</p> <p data-bbox="199 896 941 925">The unbalanced rubber bellows seal is according to DIN EN 12756.</p> <p data-bbox="199 925 908 954">The pump is close-coupled to a fan-cooled asynchronous motor.</p> <p data-bbox="199 983 316 1012"><b>Controls:</b></p> <p data-bbox="199 1012 638 1041">Frequency converter: NONE</p> <p data-bbox="199 1070 288 1099"><b>Liquid:</b></p> <p data-bbox="199 1099 635 1128">Pumped liquid: Water</p> <p data-bbox="199 1128 707 1158">Liquid temperature range: -25 .. 120 °C</p> <p data-bbox="199 1158 687 1187">Liquid temperature during operation: 20 °C</p> <p data-bbox="199 1187 699 1216">Density: 998.2 kg/m<sup>3</sup></p> <p data-bbox="199 1247 328 1276"><b>Technical:</b></p> <p data-bbox="199 1276 673 1305">Rated flow: 33.6 m<sup>3</sup>/h</p> <p data-bbox="199 1305 657 1335">Rated head: 46.12 m</p> <p data-bbox="199 1335 657 1364">Actual impeller diameter: 206 mm</p> <p data-bbox="199 1364 657 1393">Nominal impeller diameter: 200 mm</p> <p data-bbox="199 1393 635 1422">Shaft seal arrangement: Single</p> <p data-bbox="199 1422 635 1451">Code for shaft seal: BQQE</p> <p data-bbox="199 1451 764 1480">Curve tolerance: ISO9906:2012 3B</p> <p data-bbox="199 1512 320 1541"><b>Materials:</b></p> <p data-bbox="199 1541 735 1632">Pump housing: Cast iron EN-GJL-250 ASTM class 35</p> <p data-bbox="199 1632 632 1662">Wear ring: Brass</p> <p data-bbox="199 1662 735 1753">Impeller: Cast iron EN-GJL-200 ASTM class 30</p> <p data-bbox="199 1753 727 1845">Shaft: Stainless steel EN 1.4301 AISI 304</p> <p data-bbox="199 1877 344 1906"><b>Installation:</b></p> <p data-bbox="199 1906 632 1935">Maximum ambient temperature: 60 °C</p> <p data-bbox="199 1935 638 1964">Maximum operating pressure: 16 bar</p> <p data-bbox="199 1964 687 1993">Pipe connection standard: EN 1092-2</p> <p data-bbox="199 1993 638 2022">Size of inlet connection: DN 50</p> <p data-bbox="199 2022 638 2051">Size of outlet connection: DN 32</p> <p data-bbox="199 2051 687 2080">Pressure rating for pipe connection: PN 16</p> <p data-bbox="199 2080 584 2110">Pump housing with feet: Y</p>

Qty.	Description
	<p>Support block: N</p> <p><b>Electrical data:</b></p> <p>IE Efficiency class: IE3</p> <p>P2: 7.5 kW</p> <p>Mains frequency: 50 Hz</p> <p>Rated voltage: 3 x 380-415D/660-690Y V</p> <p>Rated current: 14,4-14,0/8,30-8,10 A</p> <p>Starting current: 780-910 %</p> <p>Cos phi - power factor: 0.88-0.86</p> <p>Rated speed: 2910-2920 rpm</p> <p>Efficiency: IE3 90,1% - IE3 90,4%</p> <p>Motor efficiency at full load: 90.1-90.4 %</p> <p>Motor efficiency at 3/4 load: 90.8 %</p> <p>Motor efficiency at 1/2 load: 90.8 %</p> <p>Number of poles: 2</p> <p>Enclosure class (IEC 34-5): 55 Dust/Jetting</p> <p>Insulation class (IEC 85): F</p> <p><b>Others:</b></p> <p>Minimum efficiency index, MEI <math>\hat{\%}</math>: 0.68</p> <p>Net weight: 91 kg</p> <p>Gross weight: 113 kg</p> <p>Shipping volume: 0.509 m<sup>3</sup></p> <p>Country of origin: HU</p> <p>Custom tariff no.: 84137051</p>

## 98042381 NB 32-200/206 AF2ABQQE 50 Hz



Description	Value
<b>General information:</b>	
Product name:	NB 32-200/206 AF2ABQQE
Product No:	98042381
EAN number:	5710627984489
Price:	2.374,00 GBP
<b>Technical:</b>	
Rated flow:	33.6 m <sup>3</sup> /h
Rated head:	46.12 m
Actual impeller diameter:	206 mm
Nominal impeller diameter:	200 mm
Shaft seal arrangement:	Single
Shaft diameter:	24 mm
Code for shaft seal:	BQQE
Curve tolerance:	ISO9906:2012 3B
Pump version:	A
<b>Materials:</b>	
Pump housing:	Cast iron EN-GJL-250 ASTM class 35
Wear ring:	Brass
Impeller:	Cast iron EN-GJL-200 ASTM class 30
Shaft:	Stainless steel EN 1.4301 AISI 304
Material code:	A
<b>Installation:</b>	
Maximum ambient temperature:	60 °C
Maximum operating pressure:	16 bar
Pipe connection standard:	EN 1092-2
Size of inlet connection:	DN 50
Size of outlet connection:	DN 32
Pressure rating for pipe connection:	PN 16
Pump housing with feet:	Y
Support block:	N
Connect code:	F2
<b>Liquid:</b>	
Pumped liquid:	Water
Liquid temperature range:	-25 .. 120 °C
Liquid temperature during operation:	20 °C
Density:	998.2 kg/m <sup>3</sup>
<b>Electrical data:</b>	
IE Efficiency class:	IE3
P2:	7.5 kW
Mains frequency:	50 Hz
Rated voltage:	3 x 380-415D/660-690Y V
Rated current:	14,4-14,0/8,30-8,10 A
Starting current:	780-910 %
Cos phi - power factor:	0.88-0.86
Rated speed:	2910-2920 rpm
Efficiency:	IE3 90,1% - IE3 90,4%
Motor efficiency at full load:	90.1-90.4 %
Motor efficiency at 3/4 load:	90.8 %
Motor efficiency at 1/2 load:	90.8 %
Number of poles:	2
Enclosure class (IEC 34-5):	55 Dust/Jetting
Insulation class (IEC 85):	F





Company name:

Created by:

Phone:

Date:

21/03/2019

Description	Value
Motor protec:	PTC
Motor No:	87370232
Mount. design. acc. IEC 34-7:	IM V1/B5
<b>Controls:</b>	
Frequency converter:	NONE
<b>Others:</b>	
Minimum efficiency index, MEI $\eta$ ‰:	0.68
Net weight:	91 kg
Gross weight:	113 kg
Shipping volume:	0.509 m <sup>3</sup>
Country of origin:	HU
Custom tariff no.:	84137051

## 98042381 NB 32-200/206 AF2ABQQE 50 Hz

