

**Qty. Description**

1 MTA 70H-250 A-W-B-T



Note! Product picture may differ from actual product

Product No.: [97989303](#)

Low pressure immersible centrifugal pump for installation, in filtering systems or conveyer systems in the machine tool industry.

The pump has the following characteristics:

- The pump is closed-coupled without shaft seal.

Phase: - The pump is fitted with a 3-phase integrated motor.

- Open impeller allows particles to pass through pump

Impeller: - Impeller is made of Bronze.

- Motor stool and pump housing are made of cast iron.

- The pump has no wearing parts.

Immersion depth: 250 mmmm

Liquid:

Pumped liquid: Water

Liquid temperature range: 0 .. 60 °C

Selected liquid temperature: 20 °C

Density: 998.2 kg/m<sup>3</sup>

Technical:

Rated flow: 60 l/min

Rated head: 7.5 m

Approvals on nameplate: CE

Cable entry: 22

Materials:

Pump housing: Cast iron

DIN W.-Nr. GG20

ASTM A48-CL30

Impeller: Bronze

DIN W.-Nr. G-CuZn-5ZnPb

AISI C92200

Installation:

Maximum ambient temperature: 40 °C

Pump outlet: G 3/4

Port-to-port length: 250 mm

Electrical data:



Company name:

Created by:

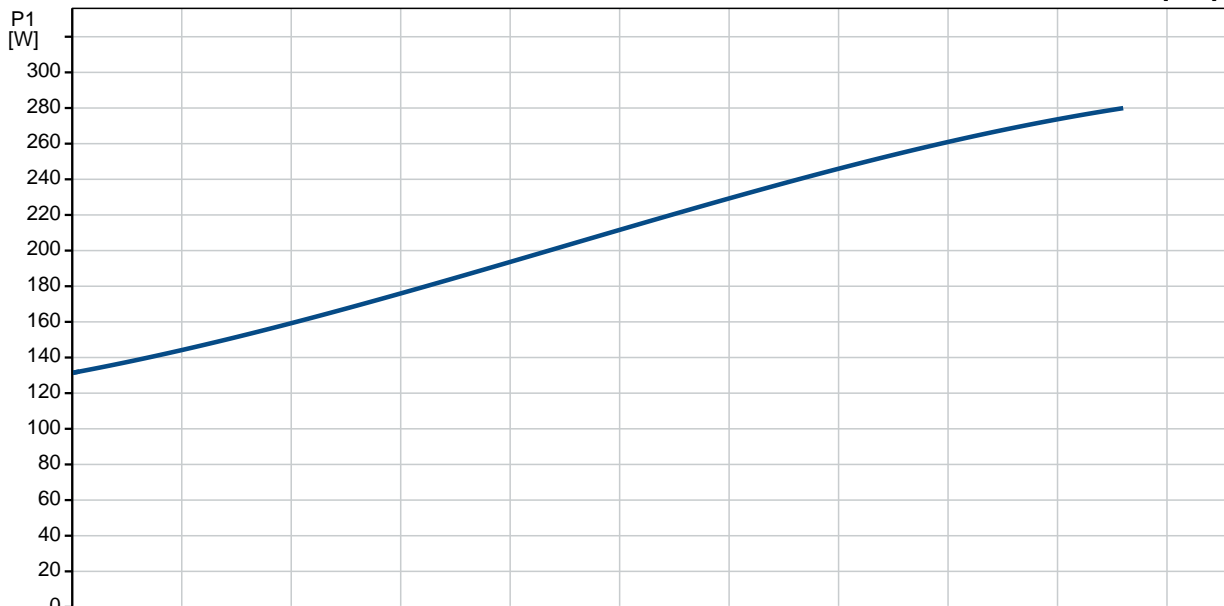
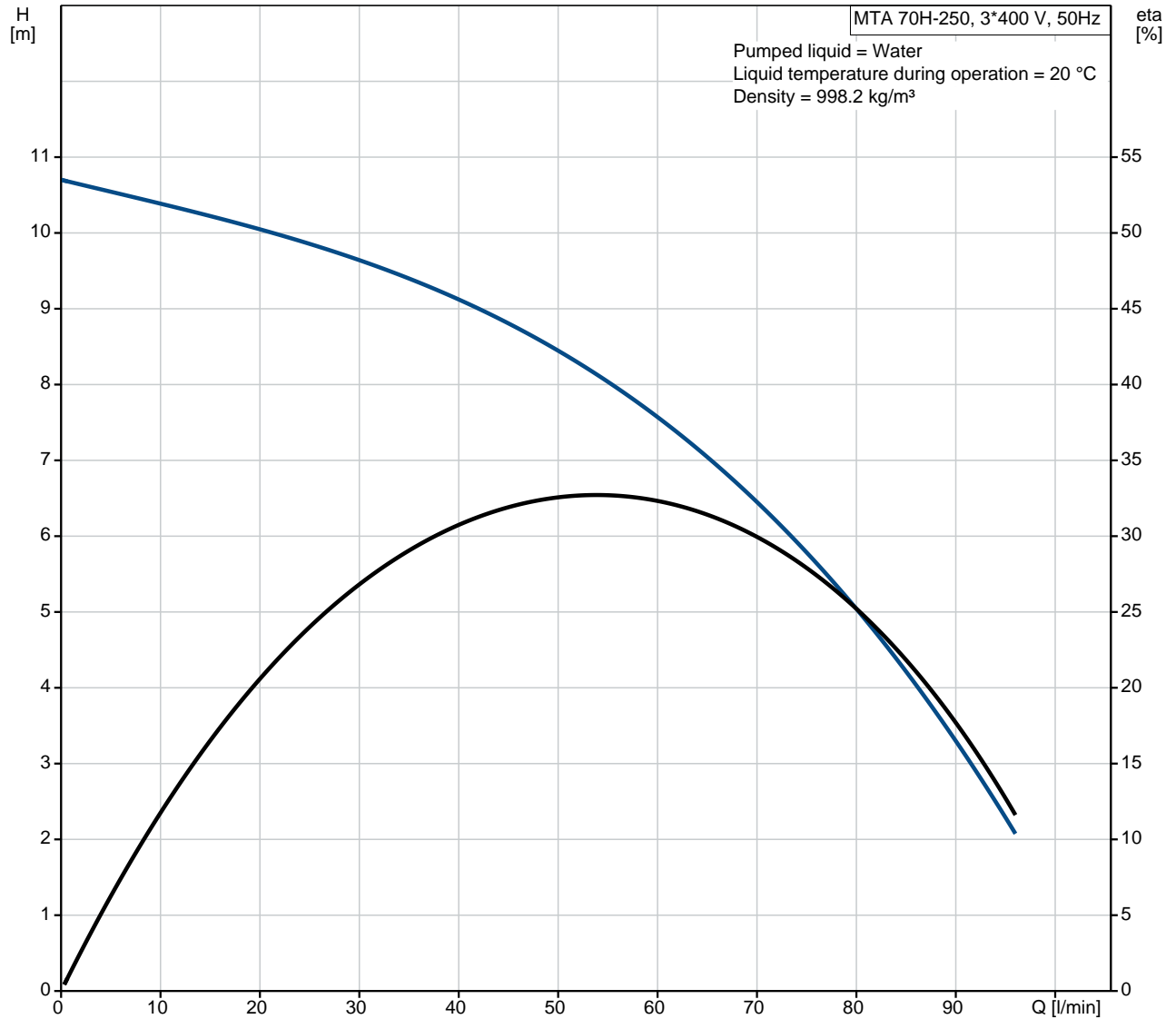
Phone:

Date:

02/02/2021

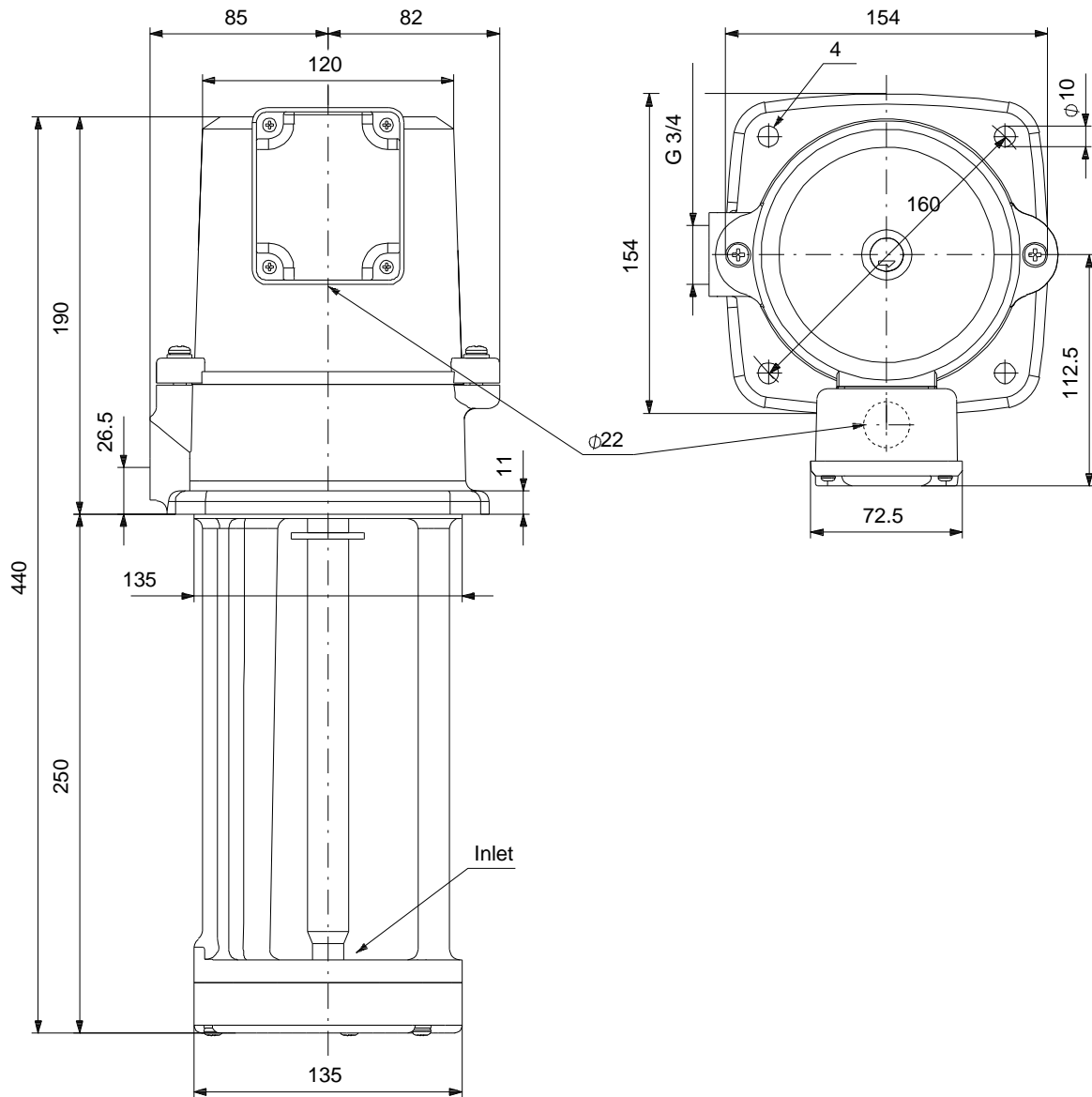
Qty.	Description
	Power input - P1: 281 W
	Mains frequency: 50 Hz
	Rated voltage: 3 x 220-240 D / 380-415 Y V
	Service factor: 1.15
	Rated current: 1.02/0.59 A
	Starting current: 480 %
	Rated speed: 2955 rpm
	Motor efficiency at full load: 79.4 %
	Enclosure class (IEC 34-5): IP54
	Insulation class (IEC 85): F
	Others:
	Net weight: 14.5 kg
	Gross weight: 16 kg
	Shipping volume: 0.031 m <sup>3</sup>

## 97989303 MTA 70H-250 A-W-B-T 50 Hz





## 97989303 MTA 70H-250 A-W-B-T 50 Hz



Note! All units are in [mm] unless others are stated.  
Disclaimer: This simplified dimensional drawing does not show all details.