

Qty. Description

1 MTA 200-280 A-W-B-B



Note! Product picture may differ from actual product

Product No.: [97989299](#)

Low pressure immersible centrifugal pump for installation, in filtering systems or conveyer systems in the machine tool industry.

The pump has the following characteristics:

- The pump is closed-coupled without shaft seal.

Phase: - The pump is fitted with a 3-phase integrated motor.

- Open impeller allows particles to pass through pump

Impeller: - Impeller is made of Bronze.

- Motor stool and pump housing are made of cast iron.

- The pump has no wearing parts.

Immersion depth: 280 mmmm

Liquid:

Pumped liquid: Water

Liquid temperature range: 0 .. 60 °C

Selected liquid temperature: 20 °C

Density: 998.2 kg/m³

Technical:

Rated flow: 200 l/min

Rated head: 8.1 m

Approvals on nameplate: CE

Cable entry: 22

Materials:

Pump housing: Cast iron

DIN W.-Nr. GG20

ASTM A48-CL30

Impeller: Bronze

DIN W.-Nr. G-CuZn-5ZnPb

AISI C92200

Installation:

Maximum ambient temperature: 40 °C

Pump outlet: G 1 1/2

Port-to-port length: 280 mm

Electrical data:



Company name:

Created by:

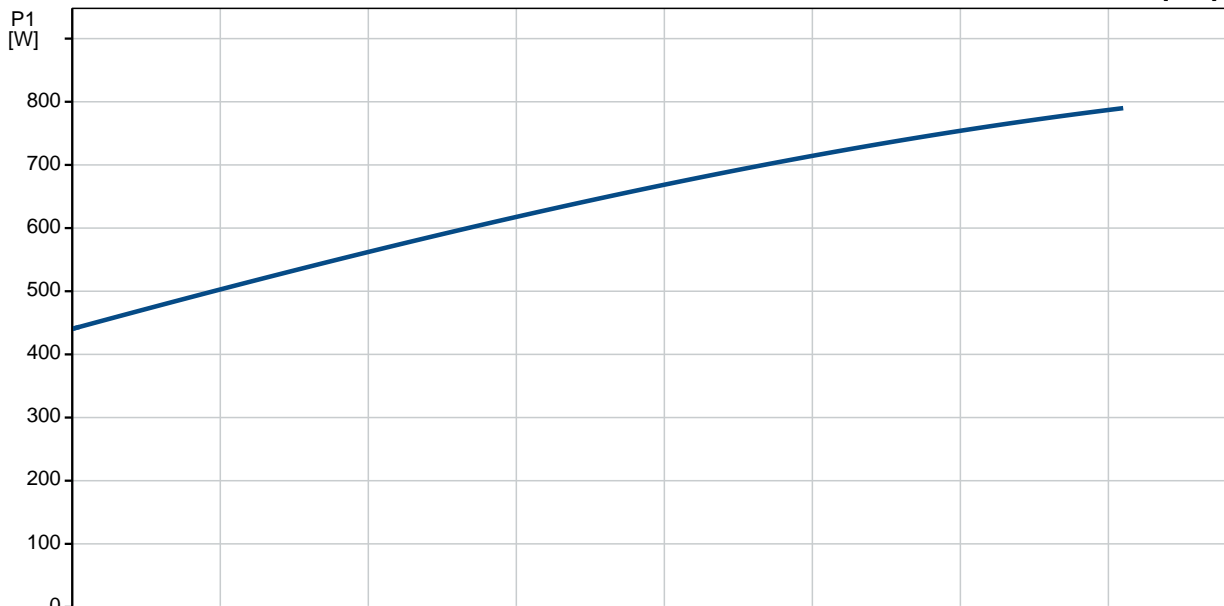
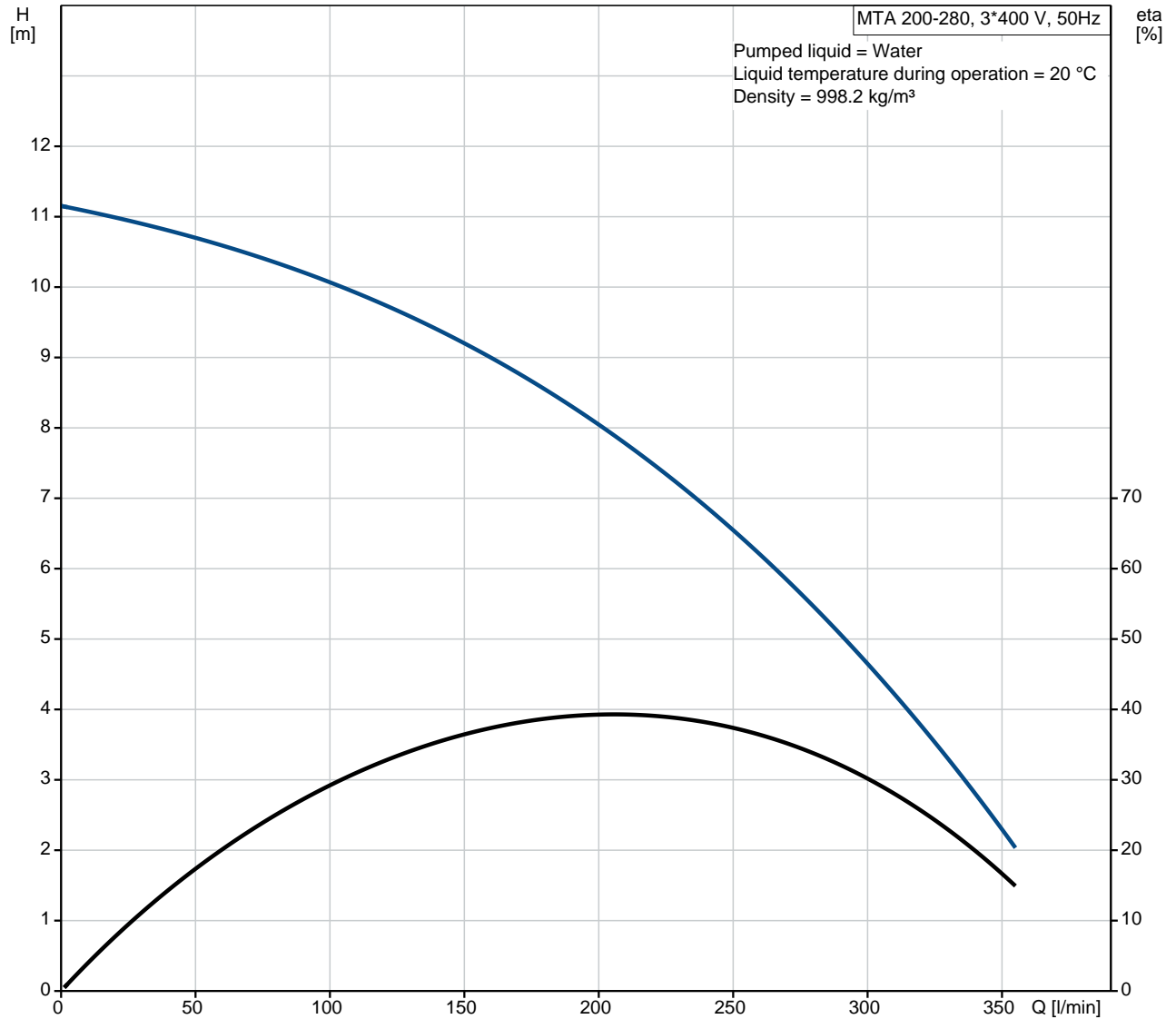
Phone:

Date:

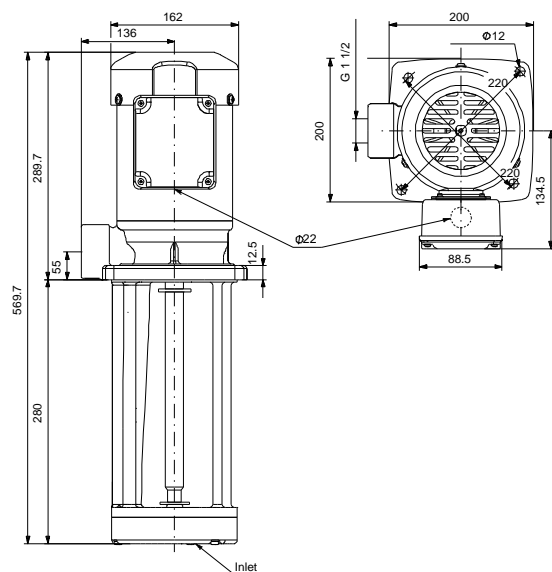
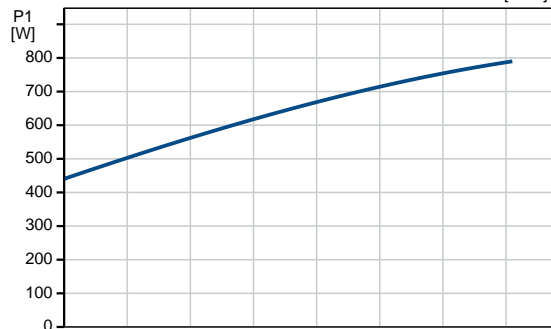
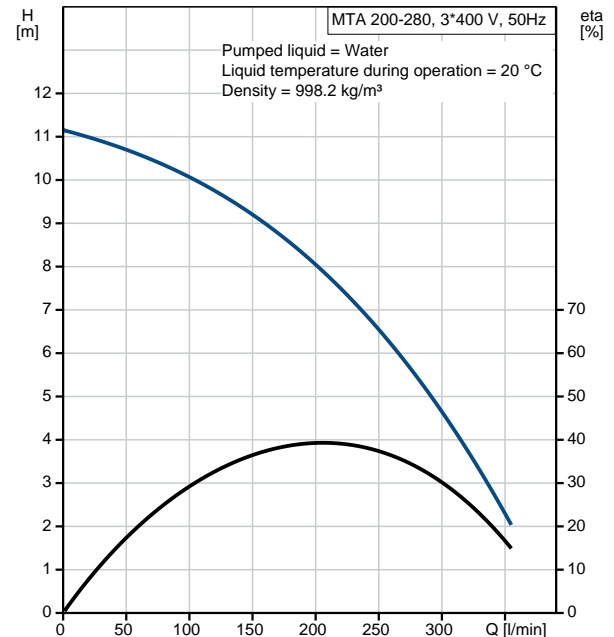
02/02/2021

Qty.	Description
	Power input - P1: 790 W
	Mains frequency: 50 Hz
	Rated voltage: 3 x 220-240 D / 380-415 Y V
	Service factor: 1.15
	Rated current: 2.78/1.64 A
	Starting current: 500 %
	Rated speed: 2939 rpm
	Efficiency: IE3 80.7%
	Motor efficiency at full load: 82.4 %
	Enclosure class (IEC 34-5): IP54
	Insulation class (IEC 85): F
	Others:
	Net weight: 24.8 kg
	Gross weight: 27.4 kg
	Shipping volume: 0.06 m ³

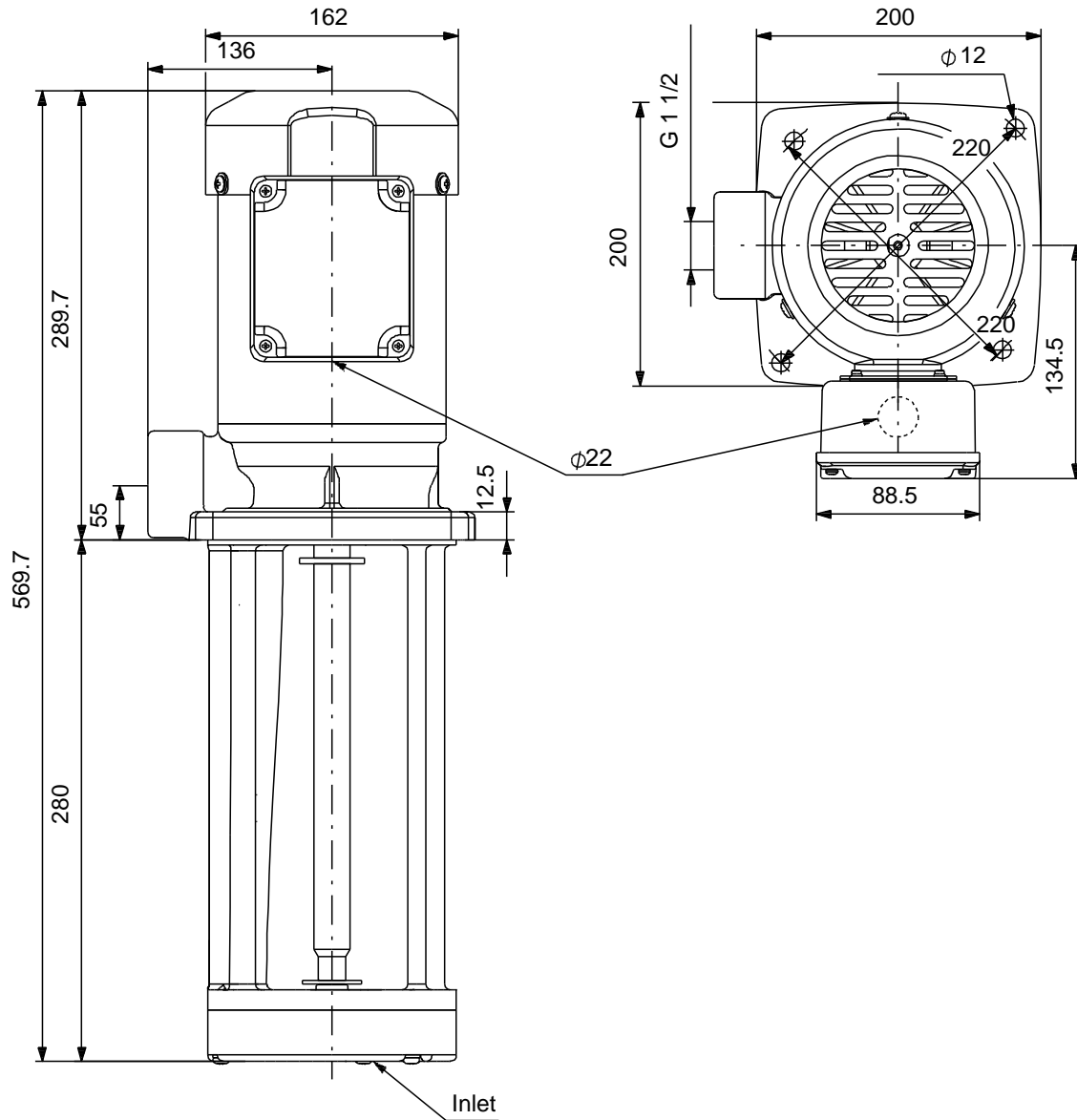
97989299 MTA 200-280 A-W-B-B 50 Hz



Description	Value
General information:	
Product name:	MTA 200-280 A-W-B-B
Product No:	97989299
EAN number:	5710627482305
Price:	
Technical:	
Rated flow:	200 l/min
Rated head:	8.1 m
Maximum head:	11.8 m
Head max:	11.8 m
Approvals on nameplate:	CE
Pump version:	A
Model:	A
Cable entry:	22
Materials:	
Pump housing:	Cast iron
Pump housing:	DIN W.-Nr. GG20
Pump housing:	ASTM A48-CL30
Impeller:	Bronze
Impeller:	DIN W.-Nr. G-CuZn-5ZnPb
Impeller:	AISI C92200
Material code:	B
Installation:	
Maximum ambient temperature:	40 °C
Pump outlet:	G 1 1/2
Port-to-port length:	280 mm
Connect code:	W
Liquid:	
Pumped liquid:	Water
Liquid temperature range:	0 .. 60 °C
Selected liquid temperature:	20 °C
Density:	998.2 kg/m ³
Electrical data:	
Power input - P1:	790 W
Mains frequency:	50 Hz
Rated voltage:	3 x 220-240 D / 380-415 Y V
Service factor:	1.15
Rated current:	2.78/1.64 A
Starting current:	500 %
Rated speed:	2939 rpm
Efficiency:	IE3 80.7%
Motor efficiency at full load:	82.4 %
Enclosure class (IEC 34-5):	IP54
Insulation class (IEC 85):	F
Motor protec:	NO
Controls:	
Pos term box:	9
Others:	
Net weight:	24.8 kg
Gross weight:	27.4 kg
Shipping volume:	0.06 m ³



97989299 MTA 200-280 A-W-B-B 50 Hz



Note! All units are in [mm] unless others are stated.
Disclaimer: This simplified dimensional drawing does not show all details.