

**Qty. Description**

1 MTA 120-280 A-W-A-B



Note! Product picture may differ from actual product

Product No.: [97989294](#)

Low pressure immersible centrifugal pump for installation, in filtering systems or conveyer systems in the machine tool industry.

The pump has the following characteristics:

- The pump is closed-coupled without shaft seal.

Phase: - The pump is fitted with a 3-phase integrated motor.

- Open impeller allows particles to pass through pump

Impeller: - Impeller is made of PAA GF50.

- Motor stool and pump housing are made of cast iron.

- The pump has no wearing parts.

Immersion depth: 283 mmmm

Liquid:

Pumped liquid: Water

Liquid temperature range: 0 .. 60 °C

Selected liquid temperature: 20 °C

Density: 998.2 kg/m<sup>3</sup>

Technical:

Rated flow: 100 l/min

Rated head: 7.2 m

Approvals on nameplate: CE

Cable entry: 22

Materials:

Pump housing: Cast iron  
DIN W.-Nr. GG20  
ASTM A48-CL30

Impeller: PAA GF50

Installation:

Maximum ambient temperature: 40 °C

Pump outlet: G 1 1/4

Port-to-port length: 283 mm

Electrical data:

Power input - P1: 440 W

Mains frequency: 50 Hz



Company name:

Created by:

Phone:

Date:

02/02/2021

| Qty. | Description   |
|------|---|
|      | <p>Rated voltage: 3 x 220-240 D / 380-415 Y V<br/>Service factor: 1.15<br/>Rated current: 1.47/0.87 A<br/>Starting current: 500 %<br/>Rated speed: 2920 rpm<br/>Motor efficiency at full load: 75.8 %<br/>Enclosure class (IEC 34-5): IP54<br/>Insulation class (IEC 85): F</p> <p>Others:<br/>Net weight: 18.5 kg<br/>Gross weight: 20 kg<br/>Shipping volume: 0.036 m<sup>3</sup></p> |



Company name:

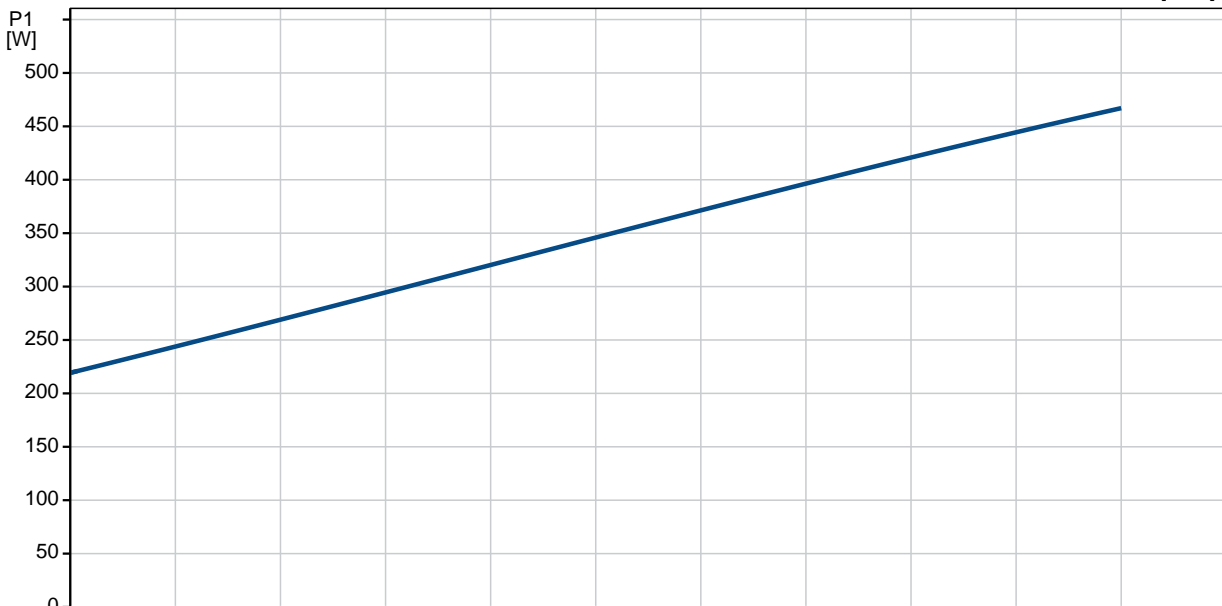
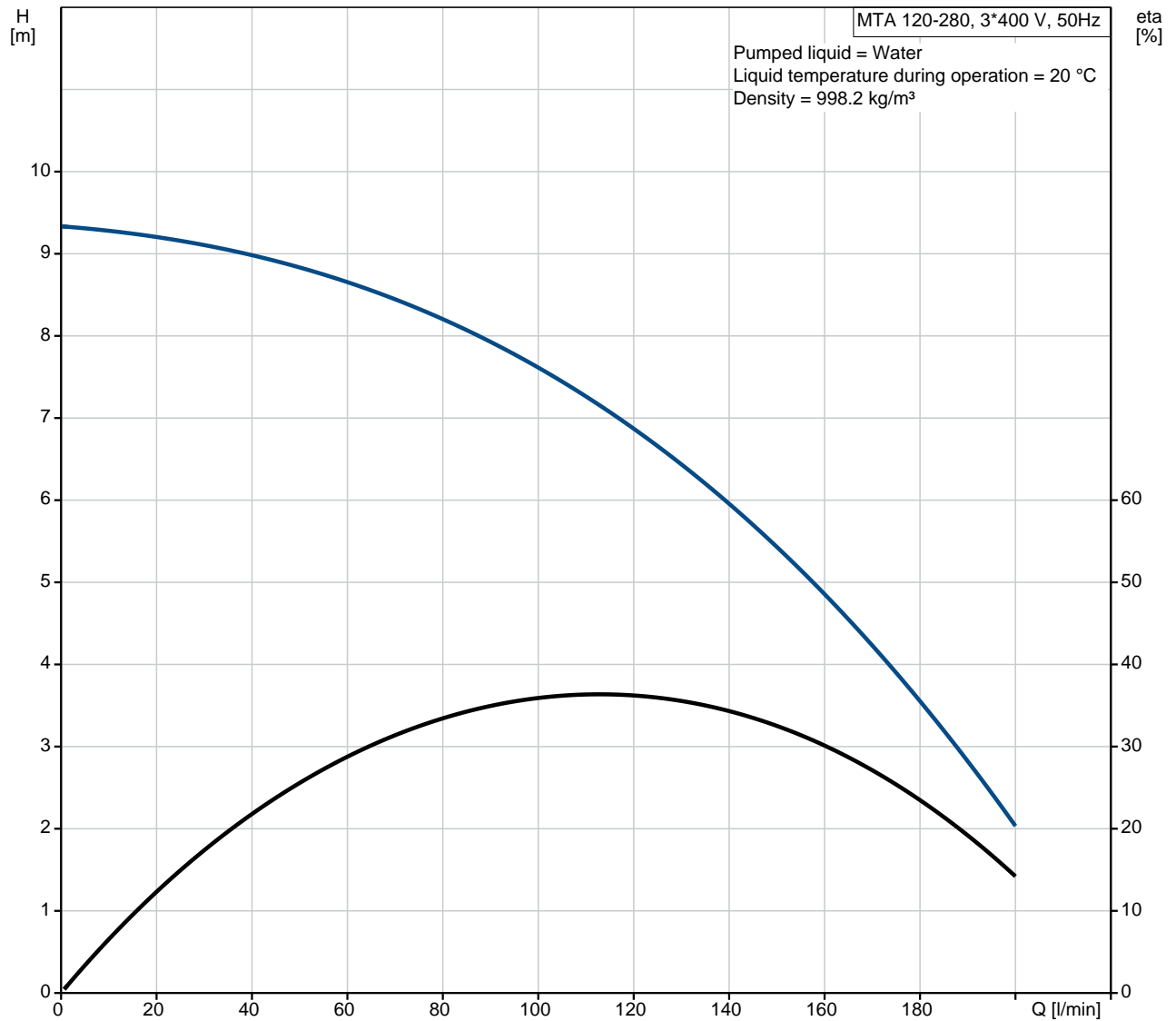
Created by:

Phone:

Date:

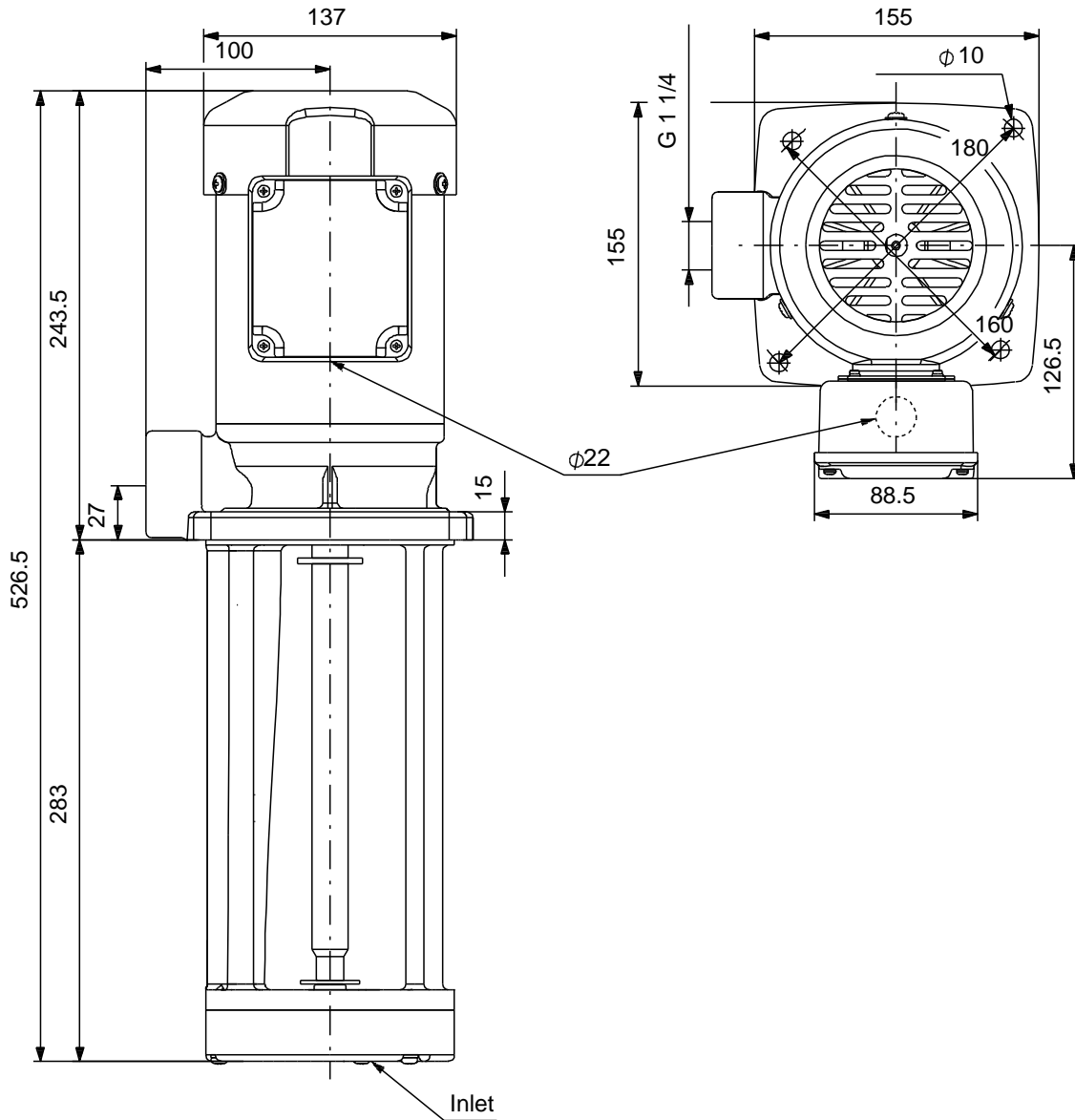
02/02/2021

### 97989294 MTA 120-280 A-W-A-B 50 Hz





## 97989294 MTA 120-280 A-W-A-B 50 Hz



Note! All units are in [mm] unless others are stated.  
Disclaimer: This simplified dimensional drawing does not show all details.