

Qty. Description

1 MTA 60-350 A-W-A-T



Note! Product picture may differ from actual product

Product No.: [97989206](#)

Low pressure immersible centrifugal pump for installation, in filtering systems or conveyer systems in the machine tool industry.

The pump has the following characteristics:

- The pump is closed-coupled without shaft seal.

Phase: - The pump is fitted with a 3-phase integrated motor.

- Open impeller allows particles to pass through pump

Impeller: - Impeller is made of PAA GF50.

- Motor stool and pump housing are made of cast iron.

- The pump has no wearing parts.

Immersion depth: 345 mmmm

Liquid:

Pumped liquid: Water

Liquid temperature range: 0 .. 60 °C

Selected liquid temperature: 20 °C

Density: 998.2 kg/m³

Technical:

Rated flow: 50 l/min

Rated head: 5.3 m

Approvals on nameplate: CE

Cable entry: 22

Materials:

Pump housing: Cast iron
DIN W.-Nr. GG20
ASTM A48-CL30

Impeller: PAA GF50

Installation:

Maximum ambient temperature: 40 °C

Pump outlet: G 3/4

Port-to-port length: 345 mm

Electrical data:

Power input - P1: 200 W

Mains frequency: 50 Hz



Company name:

Created by:

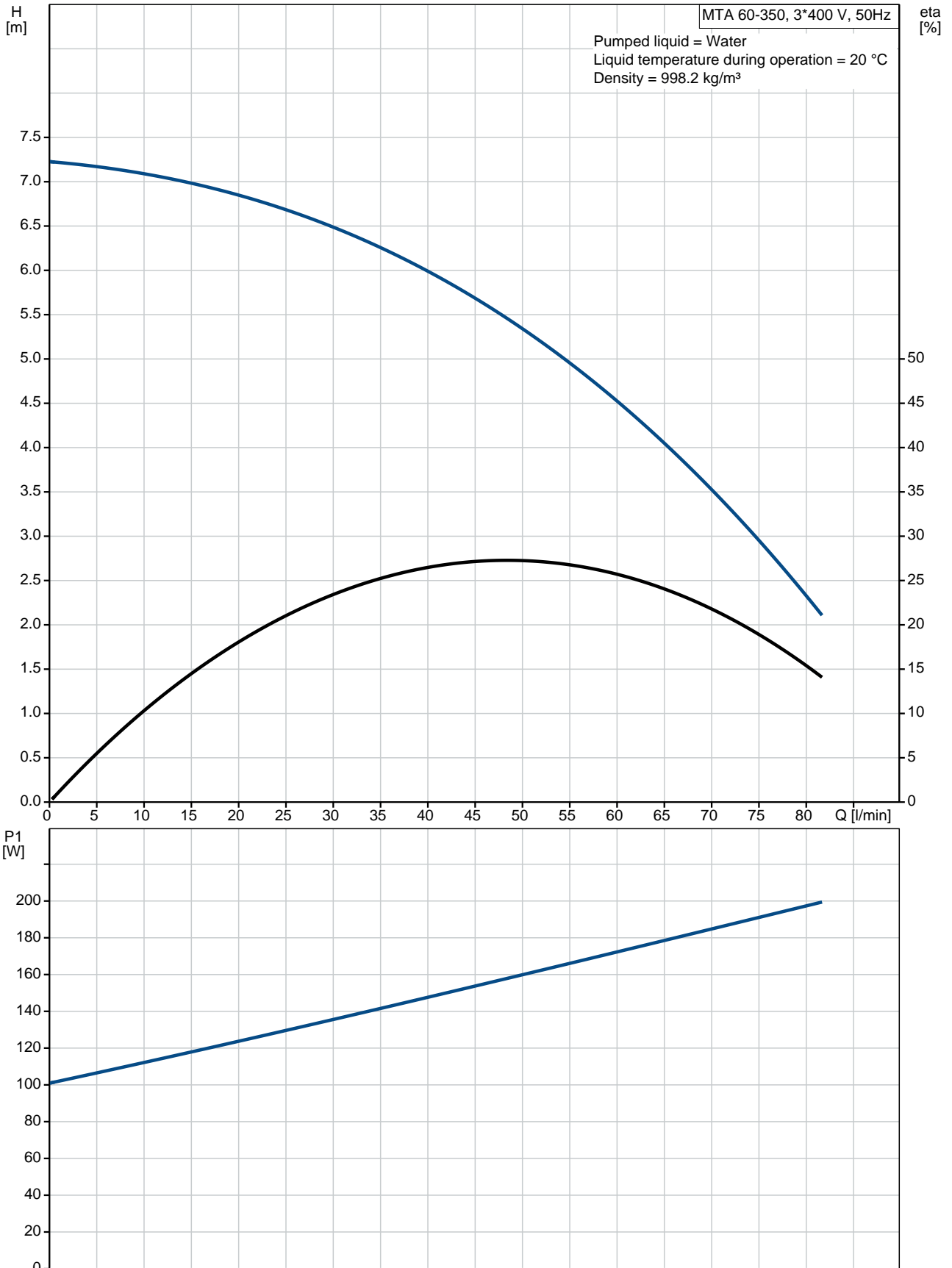
Phone:

Date:

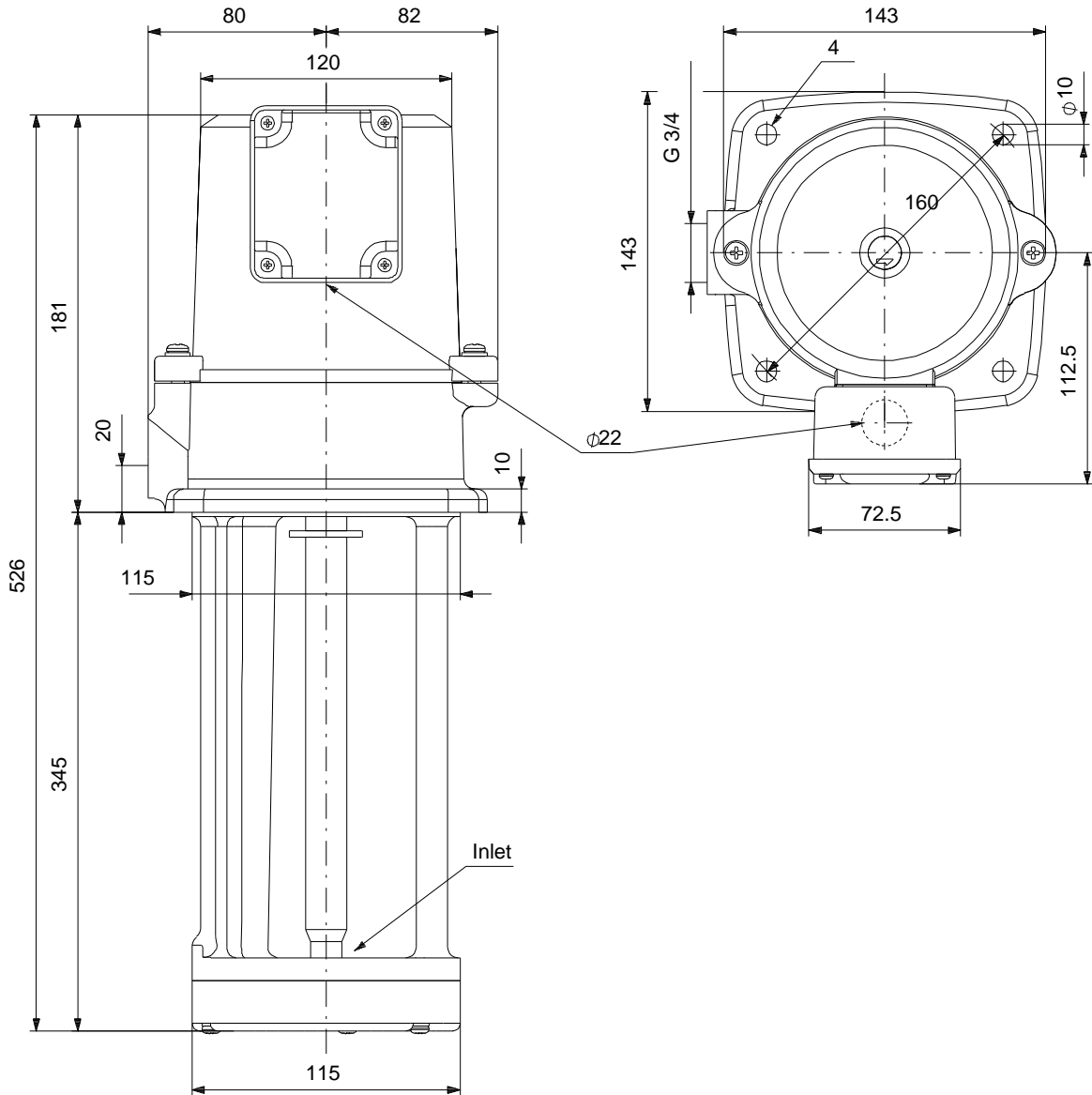
02/02/2021

Qty.	Description
	<p data-bbox="201 342 880 577">Rated voltage: 3 x 220-240 D / 380-415 Y V Service factor: 1.15 Rated current: 0.69/0.42 A Starting current: 480 % Rated speed: 2932 rpm Motor efficiency at full load: 78.1 % Enclosure class (IEC 34-5): IP54 Insulation class (IEC 85): F</p> <p data-bbox="201 611 667 725">Others: Net weight: 12.9 kg Gross weight: 14.7 kg Shipping volume: 0.027 m³</p>

97989206 MTA 60-350 A-W-A-T 50 Hz



97989206 MTA 60-350 A-W-A-T 50 Hz



Note! All units are in [mm] unless others are stated.
Disclaimer: This simplified dimensional drawing does not show all details.