

**Qty. Description**

1 MTA 60-130 A-W-A-T



Note! Product picture may differ from actual product

Product No.: [97989186](#)

Low pressure immersible centrifugal pump for installation, in filtering systems or conveyer systems in the machine tool industry.

The pump has the following characteristics:

- The pump is closed-coupled without shaft seal.

Phase: - The pump is fitted with a 3-phase integrated motor.

- Open impeller allows particles to pass through pump

Impeller: - Impeller is made of PAA GF50.

- Motor stool and pump housing are made of cast iron.

- The pump has no wearing parts.

Immersion depth: 125 mmmm

Liquid:

Pumped liquid: Water

Liquid temperature range: 0 .. 60 °C

Selected liquid temperature: 20 °C

Density: 998.2 kg/m<sup>3</sup>

Technical:

Rated flow: 50 l/min

Rated head: 5.3 m

Approvals on nameplate: CE

Cable entry: 22

Materials:

Pump housing: Cast iron  
DIN W.-Nr. GG20  
ASTM A48-CL30

Impeller: PAA GF50

Installation:

Maximum ambient temperature: 40 °C

Pump outlet: G 3/4

Port-to-port length: 125 mm

Electrical data:

Power input - P1: 200 W

Mains frequency: 50 Hz



Company name:

Created by:

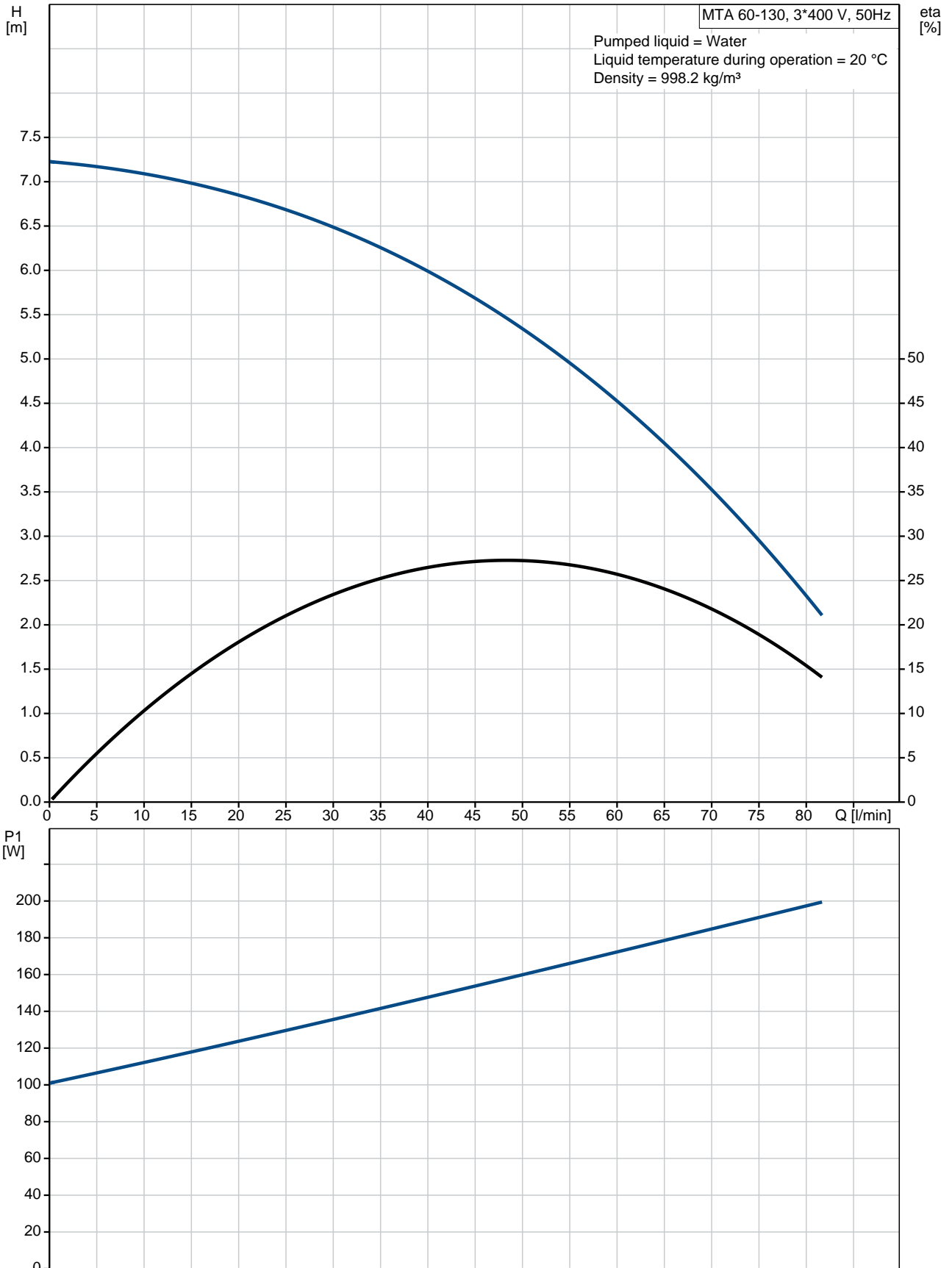
Phone:

Date:

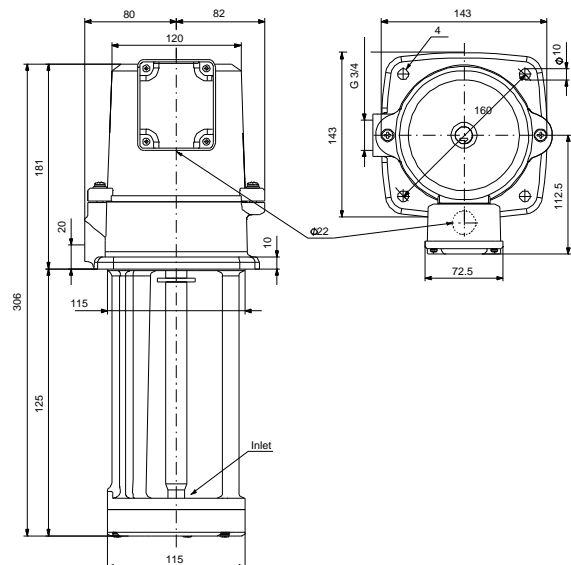
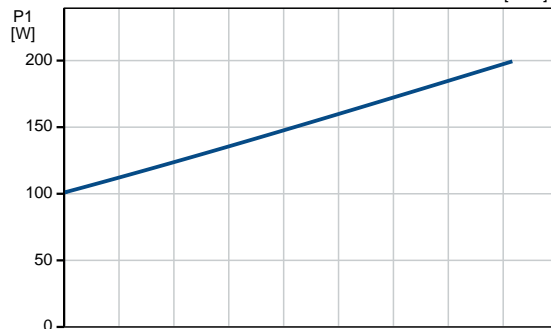
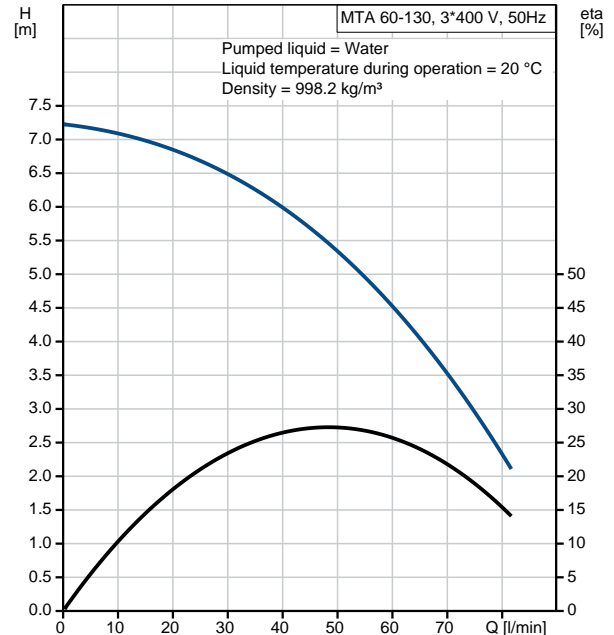
02/02/2021

| Qty. | Description   |
|------|---|
|      | <p data-bbox="201 342 880 577">Rated voltage: 3 x 220-240 D / 380-415 Y V<br/>Service factor: 1.15<br/>Rated current: 0.69/0.42 A<br/>Starting current: 480 %<br/>Rated speed: 2932 rpm<br/>Motor efficiency at full load: 78.1 %<br/>Enclosure class (IEC 34-5): IP54<br/>Insulation class (IEC 85): F</p> <p data-bbox="201 611 667 725">Others:<br/>Net weight: 10.6 kg<br/>Gross weight: 11.6 kg<br/>Shipping volume: 0.017 m<sup>3</sup></p> |

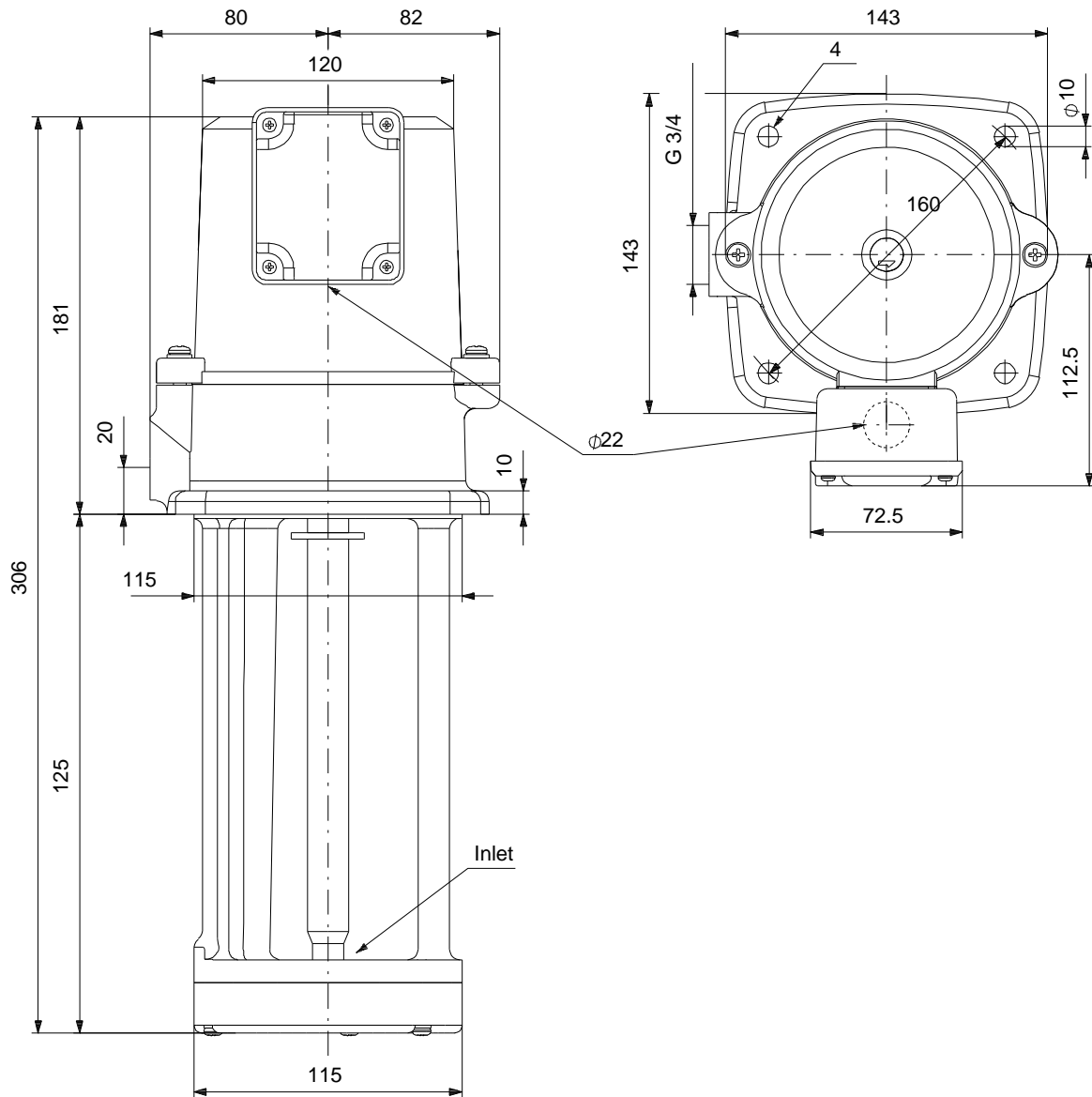
## 97989186 MTA 60-130 A-W-A-T 50 Hz



| Description                    | Value                       |
|--------------------------------|-----------------------------|
| <b>General information:</b>    |                             |
| Product name:                  | MTA 60-130 A-W-A-T          |
| Product No:                    | 97989186                    |
| EAN number:                    | 5710627480592               |
| <b>Technical:</b>              |                             |
| Rated flow:                    | 50 l/min                    |
| Rated head:                    | 5.3 m                       |
| Maximum head:                  | 7.4 m                       |
| Head max:                      | 7.4 m                       |
| Approvals on nameplate:        | CE                          |
| Pump version:                  | A                           |
| Model:                         | A                           |
| Cable entry:                   | 22                          |
| <b>Materials:</b>              |                             |
| Pump housing:                  | Cast iron                   |
| Pump housing:                  | DIN W.-Nr. GG20             |
| Pump housing:                  | ASTM A48-CL30               |
| Impeller:                      | PAA GF50                    |
| Material code:                 | A                           |
| <b>Installation:</b>           |                             |
| Maximum ambient temperature:   | 40 °C                       |
| Pump outlet:                   | G 3/4                       |
| Port-to-port length:           | 125 mm                      |
| Connect code:                  | W                           |
| <b>Liquid:</b>                 |                             |
| Pumped liquid:                 | Water                       |
| Liquid temperature range:      | 0 .. 60 °C                  |
| Selected liquid temperature:   | 20 °C                       |
| Density:                       | 998.2 kg/m <sup>3</sup>     |
| <b>Electrical data:</b>        |                             |
| Power input - P1:              | 200 W                       |
| Mains frequency:               | 50 Hz                       |
| Rated voltage:                 | 3 x 220-240 D / 380-415 Y V |
| Service factor:                | 1.15                        |
| Rated current:                 | 0.69/0.42 A                 |
| Starting current:              | 480 %                       |
| Rated speed:                   | 2932 rpm                    |
| Motor efficiency at full load: | 78.1 %                      |
| Enclosure class (IEC 34-5):    | IP54                        |
| Insulation class (IEC 85):     | F                           |
| Motor protec:                  | NO                          |
| <b>Controls:</b>               |                             |
| Pos term box:                  | 9                           |
| <b>Others:</b>                 |                             |
| Net weight:                    | 10.6 kg                     |
| Gross weight:                  | 11.6 kg                     |
| Shipping volume:               | 0.017 m <sup>3</sup>        |



## 97989186 MTA 60-130 A-W-A-T 50 Hz



Note! All units are in [mm] unless others are stated.  
Disclaimer: This simplified dimensional drawing does not show all details.