
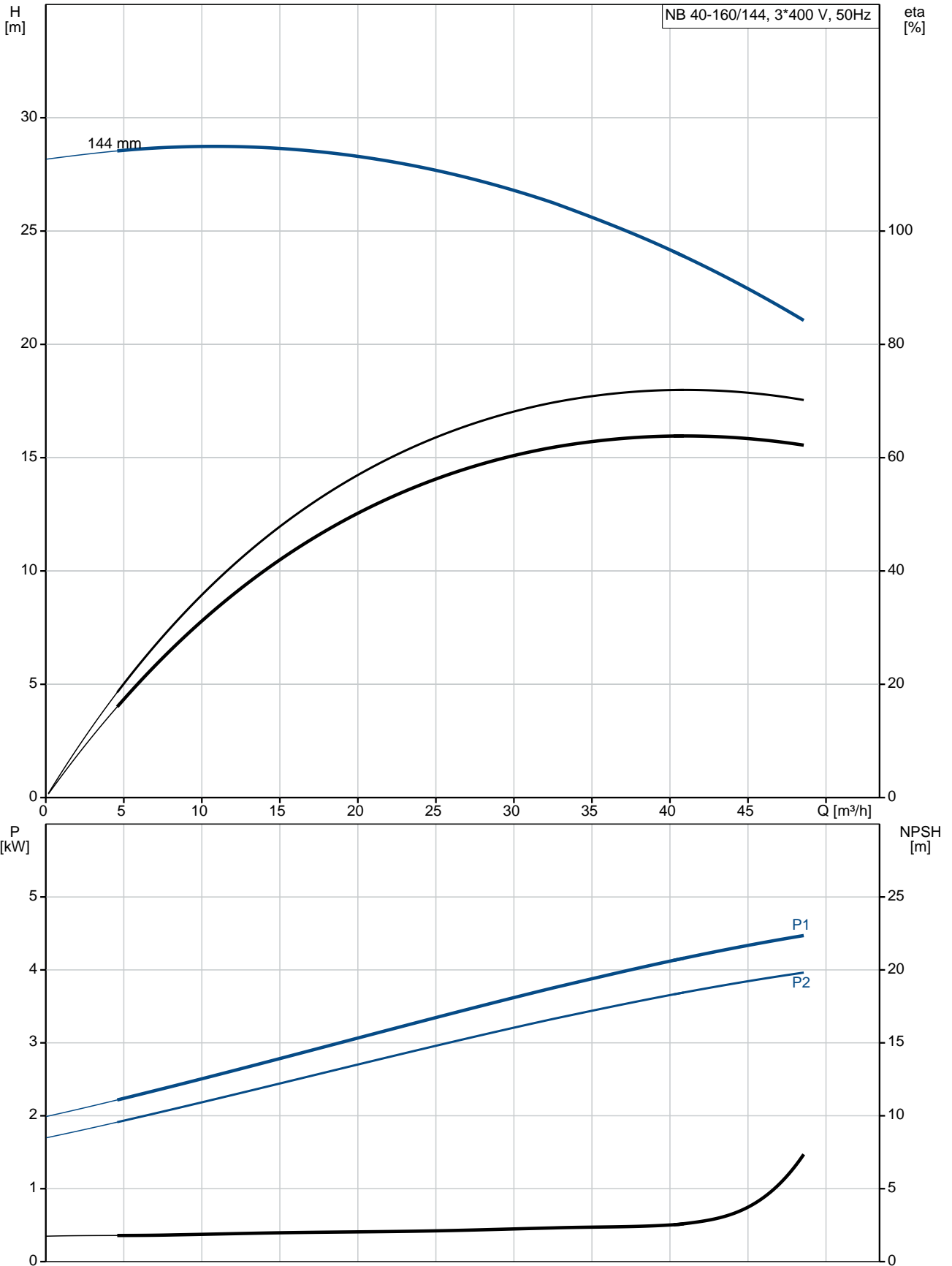


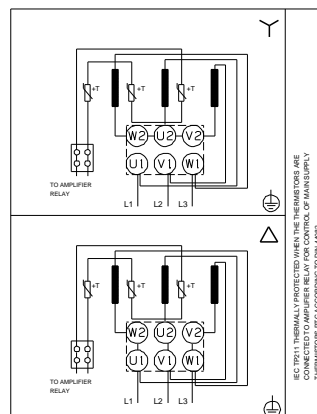
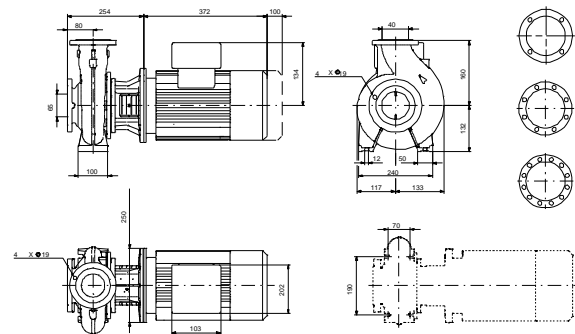
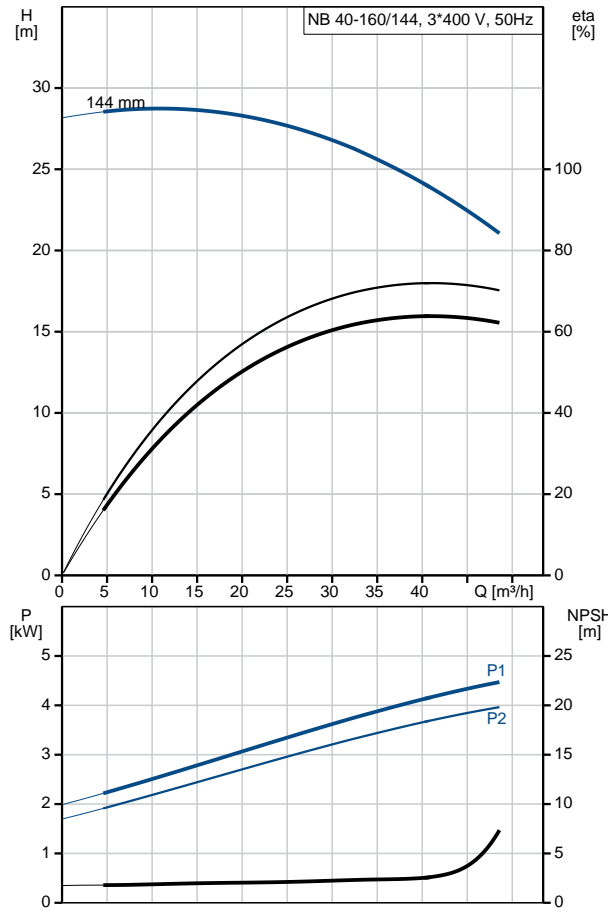
Qty.	Description
1	<p data-bbox="199 338 517 367">NB 40-160/144 AF2ABQQE</p> <div data-bbox="284 459 512 600">  </div> <p data-bbox="199 660 469 689">Product No.: 97933638</p> <p data-bbox="199 719 1461 775">Non-self-priming, single-stage, centrifugal volute pump designed according to ISO 5199 with dimensions and rated performance according to EN 733 (10 bar).</p> <p data-bbox="199 806 1452 887">Flanges are PN 16 with dimensions according to EN 1092-2. The pump has an axial suction port, radial discharge port, horizontal shaft and a back pull-out design enabling removal of the motor, motor stool, cover and impeller without disturbing the pump housing or pipework.</p> <p data-bbox="199 896 943 925">The unbalanced rubber bellows seal is according to DIN EN 12756.</p> <p data-bbox="199 925 908 954">The pump is close-coupled to a fan-cooled asynchronous motor.</p> <p data-bbox="199 983 316 1012">Controls:</p> <p data-bbox="199 1012 639 1041">Frequency converter: NONE</p> <p data-bbox="199 1070 288 1099">Liquid:</p> <p data-bbox="199 1099 635 1128">Pumped liquid: Water</p> <p data-bbox="199 1128 707 1158">Liquid temperature range: -25 .. 120 °C</p> <p data-bbox="199 1158 687 1187">Liquid temperature during operation: 20 °C</p> <p data-bbox="199 1187 699 1216">Density: 998.2 kg/m³</p> <p data-bbox="199 1245 328 1274">Technical:</p> <p data-bbox="199 1274 673 1303">Rated flow: 39.3 m³/h</p> <p data-bbox="199 1303 655 1332">Rated head: 23.72 m</p> <p data-bbox="199 1332 655 1361">Actual impeller diameter: 144 mm</p> <p data-bbox="199 1361 655 1391">Nominal impeller diameter: 160 mm</p> <p data-bbox="199 1391 635 1420">Shaft seal arrangement: Single</p> <p data-bbox="199 1420 635 1449">Code for shaft seal: BQQE</p> <p data-bbox="199 1449 764 1478">Curve tolerance: ISO9906:2012 3B</p> <p data-bbox="199 1507 320 1536">Materials:</p> <p data-bbox="199 1536 735 1632">Pump housing: Cast iron EN-GJL-250 ASTM class 35</p> <p data-bbox="199 1632 635 1662">Wear ring: Brass</p> <p data-bbox="199 1662 735 1758">Impeller: Cast iron EN-GJL-200 ASTM class 30</p> <p data-bbox="199 1758 730 1854">Shaft: Stainless steel EN 1.4301 AISI 304</p> <p data-bbox="199 1883 344 1912">Installation:</p> <p data-bbox="199 1912 635 1942">Maximum ambient temperature: 60 °C</p> <p data-bbox="199 1942 639 1971">Maximum operating pressure: 16 bar</p> <p data-bbox="199 1971 687 2000">Pipe connection standard: EN 1092-2</p> <p data-bbox="199 2000 639 2029">Size of inlet connection: DN 65</p> <p data-bbox="199 2029 639 2058">Size of outlet connection: DN 40</p> <p data-bbox="199 2058 687 2087">Pressure rating for pipe connection: PN 16</p> <p data-bbox="199 2087 584 2116">Pump housing with feet: Y</p>

Qty.	Description
	<p>Support block: N</p> <p>Electrical data:</p> <p>IE Efficiency class: IE3</p> <p>P2: 4 kW</p> <p>Mains frequency: 50 Hz</p> <p>Rated voltage: 3 x 380-415D V</p> <p>Rated current: 7.9 A</p> <p>Starting current: 1000-1110 %</p> <p>Cos phi - power factor: 0.87-0.87</p> <p>Rated speed: 2920-2940 rpm</p> <p>Efficiency: IE3 88,1%</p> <p>Motor efficiency at full load: 88.1 %</p> <p>Motor efficiency at 3/4 load: 88.6 %</p> <p>Motor efficiency at 1/2 load: 85.2 %</p> <p>Number of poles: 2</p> <p>Enclosure class (IEC 34-5): 55 Dust/Jetting</p> <p>Insulation class (IEC 85): F</p> <p>Others:</p> <p>Minimum efficiency index, MEI $\hat{\alpha}\%$: 0.70</p> <p>Net weight: 66 kg</p> <p>Gross weight: 76 kg</p> <p>Shipping volume: 0.178 m³</p> <p>Country of origin: HU</p> <p>Custom tariff no.: 84137051</p>

97933638 NB 40-160/144 AF2ABQQE 50 Hz



Description	Value
General information:	
Product name:	NB 40-160/144 AF2ABQQE
Product No:	97933638
EAN number:	5710626688678
Price:	1.821,00 GBP
Technical:	
Rated flow:	39.3 m ³ /h
Rated head:	23.72 m
Actual impeller diameter:	144 mm
Nominal impeller diameter:	160 mm
Shaft seal arrangement:	Single
Shaft diameter:	24 mm
Code for shaft seal:	BQQE
Curve tolerance:	ISO9906:2012 3B
Pump version:	A
Materials:	
Pump housing:	Cast iron EN-GJL-250 ASTM class 35
Wear ring:	Brass
Impeller:	Cast iron EN-GJL-200 ASTM class 30
Shaft:	Stainless steel EN 1.4301 AISI 304
Material code:	A
Installation:	
Maximum ambient temperature:	60 °C
Maximum operating pressure:	16 bar
Pipe connection standard:	EN 1092-2
Size of inlet connection:	DN 65
Size of outlet connection:	DN 40
Pressure rating for pipe connection:	PN 16
Pump housing with feet:	Y
Support block:	N
Connect code:	F2
Liquid:	
Pumped liquid:	Water
Liquid temperature range:	-25 .. 120 °C
Liquid temperature during operation:	20 °C
Density:	998.2 kg/m ³
Electrical data:	
IE Efficiency class:	IE3
P2:	4 kW
Mains frequency:	50 Hz
Rated voltage:	3 x 380-415D V
Rated current:	7.9 A
Starting current:	1000-1110 %
Cos phi - power factor:	0.87-0.87
Rated speed:	2920-2940 rpm
Efficiency:	IE3 88,1%
Motor efficiency at full load:	88.1 %
Motor efficiency at 3/4 load:	88.6 %
Motor efficiency at 1/2 load:	85.2 %
Number of poles:	2
Enclosure class (IEC 34-5):	55 Dust/Jetting
Insulation class (IEC 85):	F





Company name:

Created by:

Phone:

Date:

21/03/2019

Description	Value
Motor protec:	PTC
Motor No:	87322303
Mount. design. acc. IEC 34-7:	IM V1/B5
Controls:	
Frequency converter:	NONE
Others:	
Minimum efficiency index, MEI $\eta_{\%}$:	0.70
Net weight:	66 kg
Gross weight:	76 kg
Shipping volume:	0.178 m ³
Country of origin:	HU
Custom tariff no.:	84137051

97933638 NB 40-160/144 AF2ABQQE 50 Hz

