

Qty.	Description
1	<p data-bbox="201 338 319 360">DDA 30-4</p> <p data-bbox="201 367 478 389">Product No.: 97722316</p> <p data-bbox="201 396 606 418">DDA 30-4 FCM-PP/E/C-F-32I002FG</p> <p data-bbox="201 459 1457 584">The SMART Digital DDA is a compact positive displacement, diaphragm dosing pump with variable-speed drive (stepper motor) and intelligent control electronics with minimum energy consumption. The SMART Digital Dosing series operates at full stroke length to ensure optimum accuracy, priming and suction, even for high-viscosity or degassing liquids. The duration of each discharge stroke varies according to the capacity set, resulting in optimum smooth and continuous discharge flow.</p> <p data-bbox="201 600 1457 703">The click-stop mounting plate allows installation in three different positions without using any additional accessories. The control cube can be turned easily into front, left or right position. The click wheel and the multi-coloured backlit graphical, plain-text LC display make commissioning and operation intuitive. The control elements are protected by a transparent cover.</p> <p data-bbox="201 741 1457 916">The sensor-based FlowControl (FC) system detects malfunctions directly in the dosing head and displays them in plain text in the alarm menu, e.g. air bubbles, line burst, overpressure. The integrated flow measurement function (only FCM) measures the actual flow and makes additional monitoring and control equipment redundant (accuracy of $\pm 1,5$ % of set value in case of trouble-free process). The measured flow is displayed and can be integrated in the process control, e.g. SCADA. Furthermore, the AutoFlowAdapt function (only FCM) automatically adjusts the pump speed according to the process conditions to maintain target flow even at e.g. varying backpressure or air bubbles foaming (degassing drive strategy).</p> <p data-bbox="201 965 571 987">The dosing head is composed of:</p> <ul data-bbox="240 994 1045 1111" style="list-style-type: none">- Long lifetime and universal, chemically resistant full-PTFE diaphragm.- Double ball valves for highest dosing accuracy.- Deaeration valve for easy start-up.- Pressure sensor. <p data-bbox="201 1144 400 1167">Operation modes:</p> <ul data-bbox="240 1173 922 1350" style="list-style-type: none">- Manual dosing in ml/h, l/h or gph.- Pulse control in ml/pulse (incl. memory function).- Analog control 0/4-20 mA (scalable).- Pulse-based batch function in ml, l or gal.- Timer-based batch function (Dosing timer, cycle or week).- Fieldbus control (Genibus prepared for ProfibusDP E-box). <p data-bbox="201 1384 368 1406">Other features:</p> <ul data-bbox="240 1413 1449 1648" style="list-style-type: none">- Auto deaeration during pump standby to avoid breakdowns due to air-locking.- Two SlowMode steps (anti-cavitation), 50 % (maximum flow: 15 l/h) and 25 % (maximum flow: 7.5 l/h), e.g. for high-viscosity or degassing liquids.- Service information display to show when service and which wear-part order number is required.- Two-step key lock function to protect the pump against unauthorised access.- Additional display function to provide further information, e.g. the actual mA input signal.- Counter for total dosed volume (resettable), operating hours, etc.- Save and load customised settings as well as reload of factory settings. <p data-bbox="201 1682 440 1704">Signal inputs/outputs:</p> <ul data-bbox="240 1711 1457 1888" style="list-style-type: none">- Input for pulse, analog 0/4-20mA, external stop.- Input for low-level and empty-tank signal.- Two potential-free output relays for max. 30 V AC/DC (configurable, e.g. alarm, stroke signal, pump dosing, timer etc.)- Output analog 0/4-20mA.- Fieldbus communication interface (GeniBus, also for additional Profibus DP E-box to retrofit). <p data-bbox="201 1921 464 1944">Installation set includes:</p> <ul data-bbox="240 1951 715 2096" style="list-style-type: none">- 2 pump connections (Hose 9/12 mm 6).- Foot valve (without level switch).- Injection unit.- 6 m PE discharge hose.- 2 m PVC suction hose.

Qty.	Description
	<p>- 2 m PVC deaeration hose (4/6 mm).</p> <p>Technical:</p> <p>Type key: DDA 30-4 FCM-PP/E/C-F-32I002FG Max. Flow: 30 l/h Max. flow in slow mode 50%: 15 l/h Max. flow in slow mode 25%: 7.5 l/h Min flow: 30.0 ml/h Turn-down ratio: 1:1000 Approvals on nameplate: CE,CSA-US,EAC,RCM Valve type: Spring-Loaded (HV-version) Maximum viscosity at 100 %: 200 mPas Maximum viscosity in slow mode 50 %: 600 mPas Maximum viscosity in slow mode 25 %: 1500 mPas Accuracy of repeatability: 1 %</p> <p>Materials:</p> <p>Dosing head: PP (Polypropylene) Valve ball: Ceramic Gasket: EPDM</p> <p>Installation:</p> <p>Range of ambient temperature: 0 .. 45 °C Maximum operating pressure: 4 bar Installation set: YES Installation type: 9/12 mm up to 60 l/h,13 bar Pump inlet: Hose 9/12 mm 6 Pump outlet: Hose 9/12 mm 6 Max. Suction lift during operation: 6 m Max. Suction lift during priming: 2 m</p> <p>Liquid:</p> <p>Pumped liquid: Water Liquid temperature range: -10 .. 45 °C Selected liquid temperature: 20 °C Density: 998.2 kg/m³</p> <p>Electrical data:</p> <p>Maximum power input - P1: 24 W Mains frequency: 50 / 60 Hz Rated voltage: 1 x 100-240 V Enclosure class (IEC 34-5): IP65 / NEMA 4X Length of cable: 1.5 m Type of cable plug: EU Inrush current: 25A at 230V for 2ms</p> <p>Controls:</p> <p>Control variant: FCM Level control: YES Analog input: 0/4-20 MA Pulse control: YES Ext. Stop input: YES Analog output: 0/4-20 MA Output relays: 2 Bus communication: YES</p> <p>Others:</p> <p>Net weight: 3 kg Gross weight: 4 kg</p>



Company name:

Created by:

Phone:

Date:

04/02/2020

Qty.	Description
------	-------------

	Color: RED
	Country of origin: FR
	Custom tariff no.: 84135040



Company name:

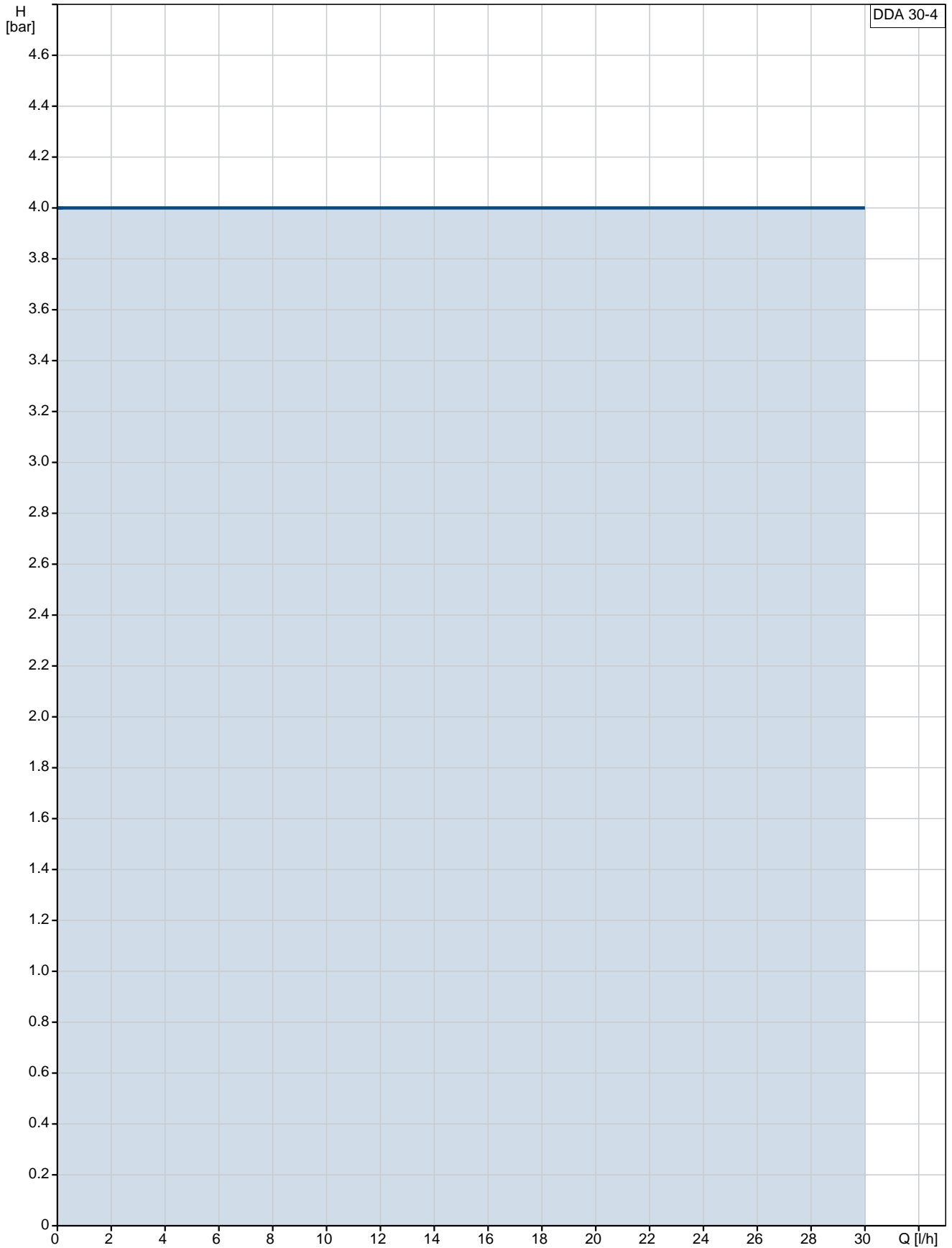
Created by:

Phone:

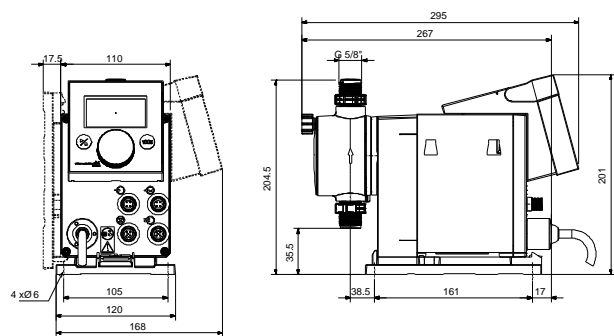
Date:

04/02/2020

97722316 DDA 30-4



Description	Value
General information:	
Product name:	DDA 30-4
Product No:	97722316
EAN number:	5710622724585
	5710622724585
Price:	2.768,00 GBP
Technical:	
Type key:	DDA 30-4 FCM-PP/E/C-F-32I002FG
Max. Flow:	30 l/h
Max. flow in slow mode 50%:	15 l/h
Max. flow in slow mode 25%:	7.5 l/h
Min flow:	30.0 ml/h
Turn-down ratio:	1:1000
Approvals on nameplate:	CE, CSA-US, EAC, RCM
Valve type:	Spring-Loaded (HV-version)
Maximum viscosity at 100 %:	200 mPas
Maximum viscosity in slow mode 50 %:	600 mPas
Maximum viscosity in slow mode 25 %:	1500 mPas
Accuracy of repeatability:	1 %
Materials:	
Dosing head:	PP (Polypropylene)
Valve ball:	Ceramic
Gasket:	EPDM
Installation:	
Range of ambient temperature:	0 .. 45 °C
Maximum operating pressure:	4 bar
Installation set:	YES
Installation type:	9/12 mm up to 60 l/h, 13 bar
Pump inlet:	Hose 9/12 mm 6
Pump outlet:	Hose 9/12 mm 6
Max. Suction lift during operation:	6 m
Max. Suction lift during priming:	2 m
Liquid:	
Pumped liquid:	Water
Liquid temperature range:	-10 .. 45 °C
Selected liquid temperature:	20 °C
Density:	998.2 kg/m ³
Electrical data:	
Maximum power input - P1:	24 W
Mains frequency:	50 / 60 Hz
Rated voltage:	1 x 100-240 V
Enclosure class (IEC 34-5):	IP65 / NEMA 4X
Length of cable:	1.5 m
Type of cable plug:	EU
Inrush current:	25A at 230V for 2ms
Controls:	
Control variant:	FCM
Control panel:	FRONT-MOUNTED
Level control:	YES
Analog input:	0/4-20 MA
Pulse control:	YES
Ext. Stop input:	YES
Analog output:	0/4-20 MA
Output relays:	2
Bus communication:	YES
Others:	





Company name:

Created by:

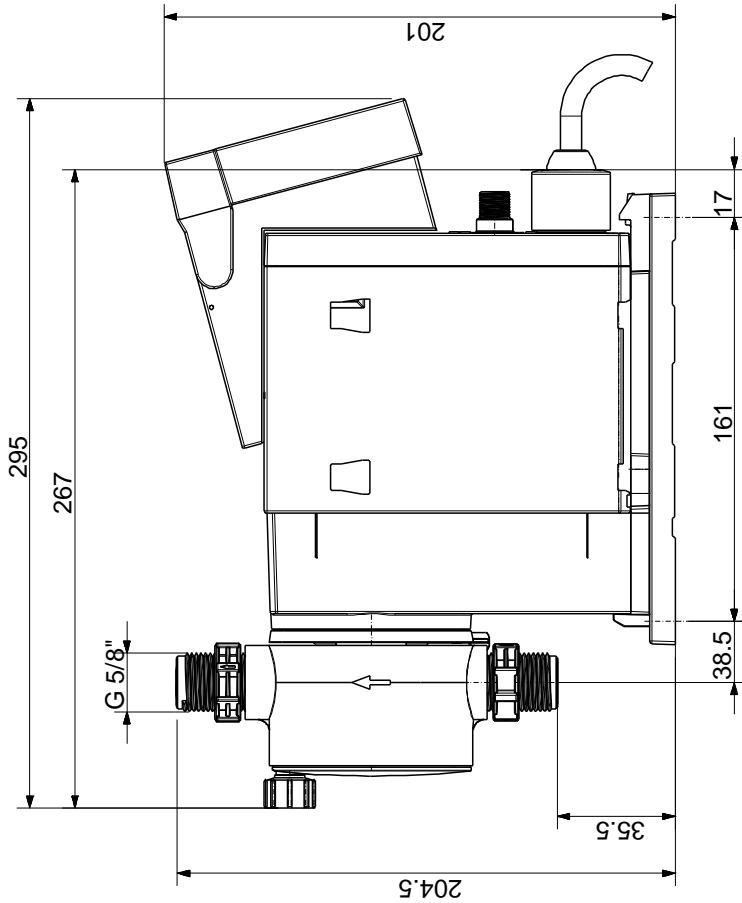
Phone:

Date:

04/02/2020

Description	Value
Net weight:	3 kg
Gross weight:	4 kg
Color:	RED
Country of origin:	FR
Custom tariff no.:	84135040

97722316 DDA 30-4



Note! All units are in [mm] unless others are stated.
Disclaimer: This simplified dimensional drawing does not show all details.