

**Qty. Description**

1 DDA 7.5-16



Note! Product picture may differ from actual product

Product No.: [97721960](#)

DDA 7.5-16 AR-PV/E/C-F-32U2U2F

The SMART Digital DDA is a compact positive displacement, diaphragm dosing pump with variable-speed drive (stepper motor) and intelligent control electronics with minimum energy consumption. The SMART Digital Dosing series operates at full stroke length to ensure optimum accuracy, priming and suction, even for high-viscosity or degassing liquids. The duration of each discharge stroke varies according to the capacity set, resulting in optimum smooth and continuous discharge flow.

The click-stop mounting plate allows installation in three different positions without using any additional accessories. The control cube can be turned easily into front, left or right position. The click wheel and the multi-coloured backlit graphical, plain-text LC display make commissioning and operation intuitive. The control elements are protected by a transparent cover.

The dosing head is composed of:

- Long lifetime and universal, chemically resistant full-PTFE diaphragm.
- Double ball valves for highest dosing accuracy.
- Deaeration valve for easy start-up.

Operation modes:

- Manual dosing in ml/h, l/h or gph.
- Pulse control in ml/pulse (incl. memory function).
- Analog control 0/4-20 mA (scalable).
- Pulse-based batch function in ml, l or gal.
- Timer-based batch function (Dosing timer, cycle or week).
- Fieldbus control (Genibus prepared for ProfibusDP E-box).

Other features:

- Auto deaeration during pump standby to avoid breakdowns due to air-locking.
- Two SlowMode steps (anti-cavitation), 50 % (maximum flow: 3.75 l/h) and 25 % (maximum flow: 1.88 l/h), e.g. for high-viscosity or degassing liquids.
- Service information display to show when service and which wear-part order number is required.
- Two-step key lock function to protect the pump against unauthorised access.
- Additional display function to provide further information, e.g. the actual mA input signal.
- Counter for total dosed volume (resettable), operating hours, etc.
- Save and load customised settings as well as reload of factory settings.

Signal inputs/outputs:

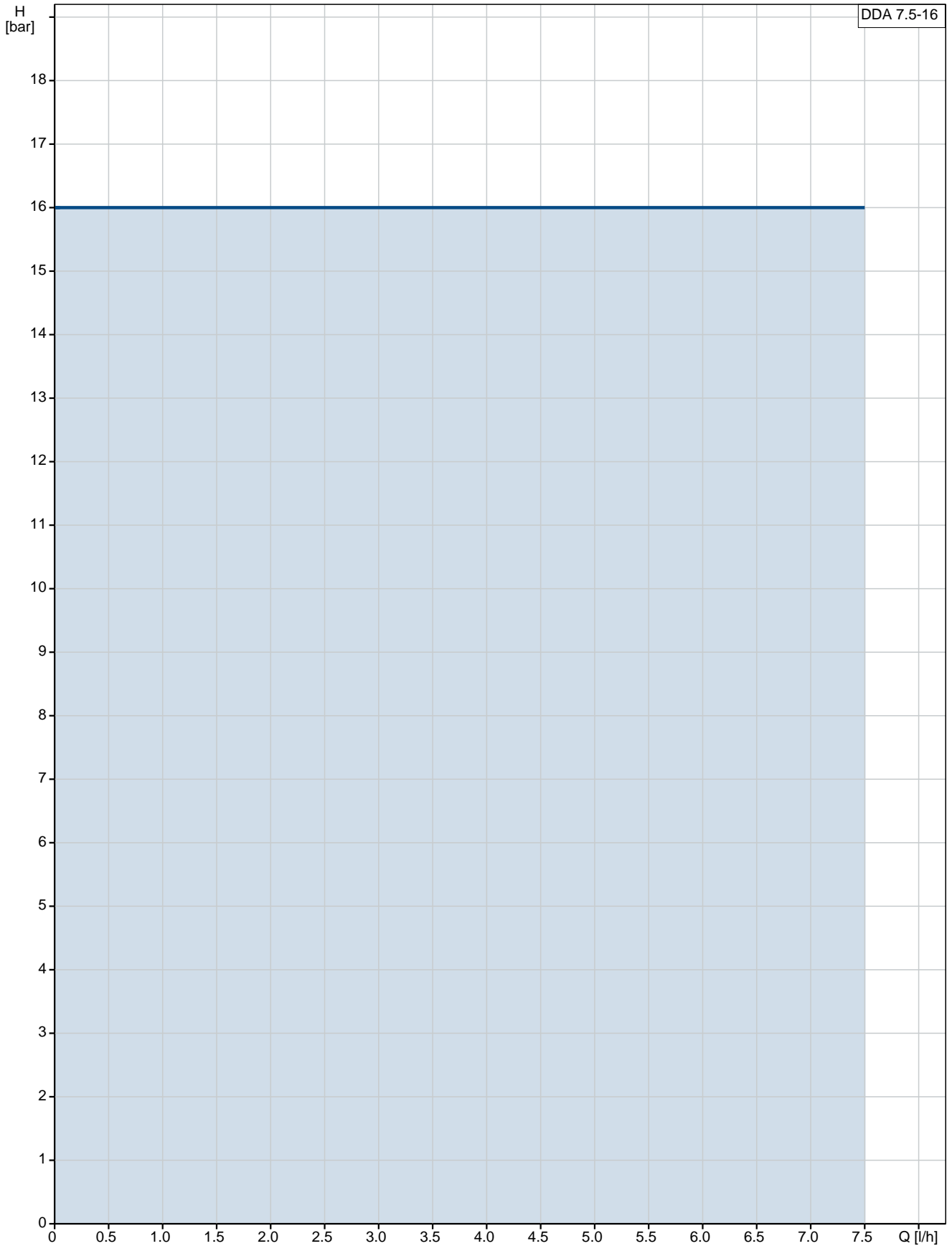
- Input for pulse, analog 0/4-20mA, external stop.
- Input for low-level and empty-tank signal.
- Two potential-free output relays for max. 30 V AC/DC (configurable, e.g. alarm, stroke signal, pump dosing, timer etc.)
- Output analog 0/4-20mA.
- Fieldbus communication interface (GeniBus, also for additional Profibus DP E-box to retrofit).

**Technical:**

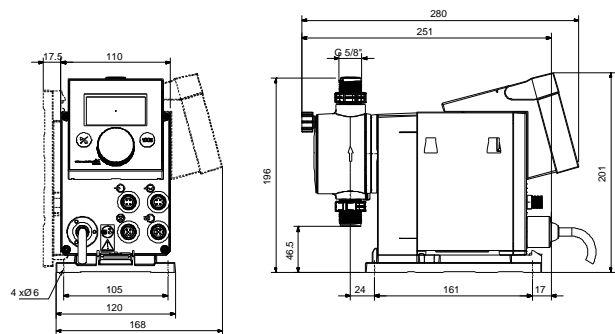
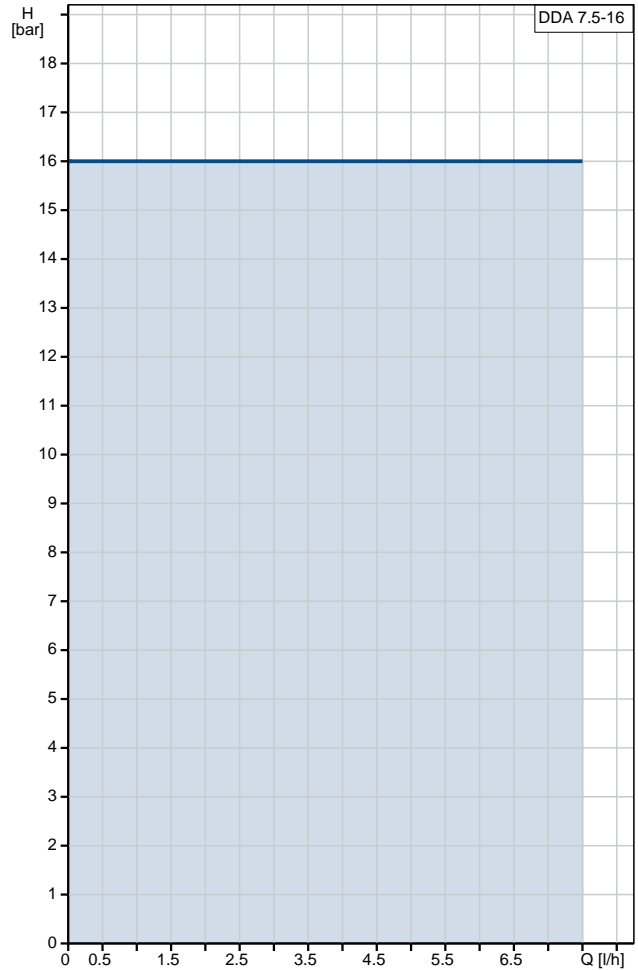
Type key: DDA 7.5-16 AR-PV/E/C-F-32U2U2F

Qty.	Description
	<p>                     Max. Flow: 7.5 l/h                      Max. flow in slow mode 50%: 3.75 l/h                      Max. flow in slow mode 25%: 1.88 l/h                      Min flow: 2.5 ml/h                      Turn-down ratio: 1:3000                      Approvals on nameplate: CE,CSA-US,NSF61,EAC,RCM                      Valve type: Spring-Loaded (HV-version)                      Maximum viscosity at 100 %: 600 mPas                      Maximum viscosity in slow mode 50 %: 1800 mPas                      Maximum viscosity in slow mode 25 %: 2500 mPas                      Accuracy of repeatability: 1 %                 </p> <p> <b>Materials:</b>                      Dosing head: PVDF (Polyvinylidene fluoride)                      Valve ball: Ceramic                      Gasket: EPDM                 </p> <p> <b>Installation:</b>                      Range of ambient temperature: 0 .. 45 °C                      Maximum operating pressure: 16 bar                      Installation set: NO                      Installation type: No installation set                      Pump inlet: 4/6, 6/9, 6/12, 9/12 mm                      Pump outlet: 4/6, 6/9, 6/12, 9/12 mm                      Max. Suction lift during operation: 6 m                      Max. Suction lift during priming: 2 m                 </p> <p> <b>Liquid:</b>                      Pumped liquid: Water                      Liquid temperature range: -10 .. 45 °C                      Selected liquid temperature: 20 °C                      Density: 998.2 kg/m<sup>3</sup> </p> <p> <b>Electrical data:</b>                      Maximum power input - P1: 24 W                      Mains frequency: 50 / 60 Hz                      Rated voltage: 1 x 100-240 V                      Enclosure class (IEC 34-5): IP65 / NEMA 4X                      Length of cable: 1.5 m                      Type of cable plug: EU                      Inrush current: 25A at 230V for 2ms                 </p> <p> <b>Controls:</b>                      Control variant: AR                      Level control: YES                      Analog input: 0/4-20 MA                      Pulse control: YES                      Ext. Stop input: YES                      Analog output: 0/4-20 MA                      Output relays: 2                      Bus communication: YES                 </p> <p> <b>Others:</b>                      Net weight: 3 kg                      Gross weight: 4 kg                      Color: RED                 </p>

## 97721960 DDA 7.5-16



Description	Value
<b>General information:</b>	
Product name:	DDA 7.5-16
Product No:	97721960
EAN number:	5710622721027
	5710622721027
<b>Technical:</b>	
Type key:	DDA 7.5-16 AR-PV/E/C-F-32U2U2F
Max. Flow:	7.5 l/h
Max. flow in slow mode 50%:	3.75 l/h
Max. flow in slow mode 25%:	1.88 l/h
Min flow:	2.5 ml/h
Turn-down ratio:	1:3000
Approvals on nameplate:	CE,CSA-US,NSF61,EAC,RCM
Valve type:	Spring-Loaded (HV-version)
Maximum viscosity at 100 %:	600 mPas
Maximum viscosity in slow mode 50 %:	1800 mPas
Maximum viscosity in slow mode 25 %:	2500 mPas
Accuracy of repeatability:	1 %
<b>Materials:</b>	
Dosing head:	PVDF (Polyvinylidene fluoride)
Valve ball:	Ceramic
Gasket:	EPDM
<b>Installation:</b>	
Range of ambient temperature:	0 .. 45 °C
Maximum operating pressure:	16 bar
Installation set:	NO
Installation type:	No installation set
Pump inlet:	4/6, 6/9, 6/12, 9/12 mm
Pump outlet:	4/6, 6/9, 6/12, 9/12 mm
Max. Suction lift during operation:	6 m
Max. Suction lift during priming:	2 m
<b>Liquid:</b>	
Pumped liquid:	Water
Liquid temperature range:	-10 .. 45 °C
Selected liquid temperature:	20 °C
Density:	998.2 kg/m <sup>3</sup>
<b>Electrical data:</b>	
Maximum power input - P1:	24 W
Mains frequency:	50 / 60 Hz
Rated voltage:	1 x 100-240 V
Enclosure class (IEC 34-5):	IP65 / NEMA 4X
Length of cable:	1.5 m
Type of cable plug:	EU
Inrush current:	25A at 230V for 2ms
<b>Controls:</b>	
Control variant:	AR
Control panel:	FRONT-MOUNTED
Level control:	YES
Analog input:	0/4-20 MA
Pulse control:	YES
Ext. Stop input:	YES
Analog output:	0/4-20 MA
Output relays:	2
Bus communication:	YES
<b>Others:</b>	
Net weight:	3 kg





Company name:

Created by:

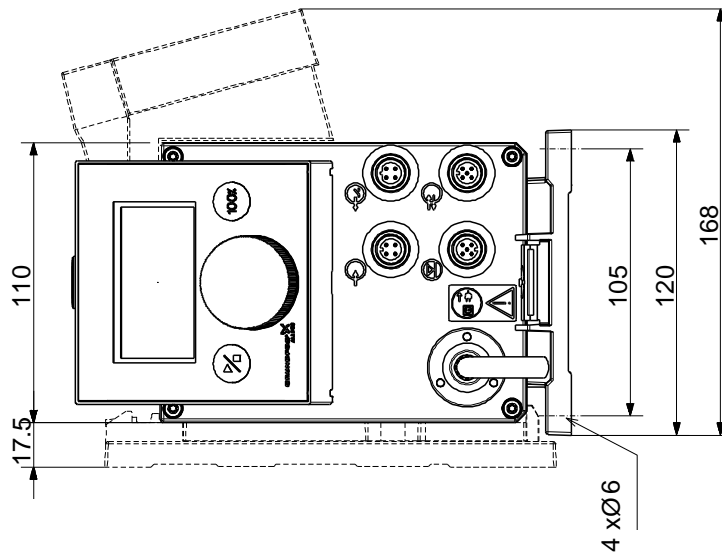
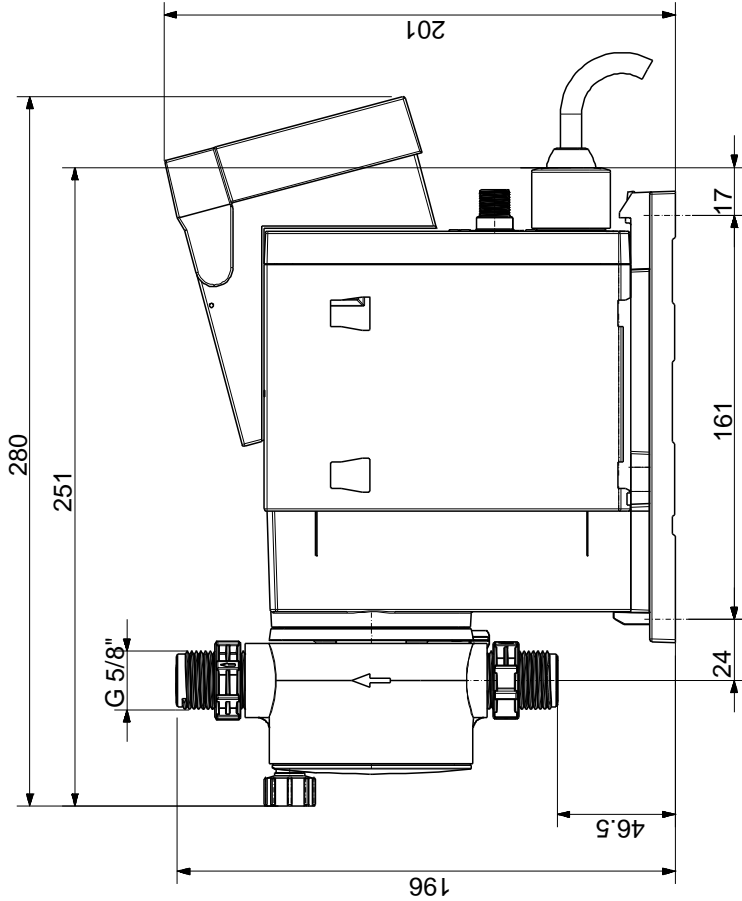
Phone:

Date:

25/02/2020

Description	Value
Gross weight:	4 kg
Color:	RED

## 97721960 DDA 7.5-16



Note! All units are in [mm] unless others are stated.  
Disclaimer: This simplified dimensional drawing does not show all details.