

Qty.	Description
------	-------------

1	SLV.65.65.09.E.2.1.502
---	------------------------



Note! Product picture may differ from actual product

Product No.: [96878474](#)

Non-self-priming, single-stage, centrifugal pump designed for handling wastewater, process water and unscreened raw sewage.

The pump is designed for intermittent and continuous operations in submerged installation. The efficient SuperVortex impeller provides passage of long fibres and solids up to 2 9/16 in and is suitable for wastewater with a dry matter content of up to 5 %. A unique stainless-steel clamp assembling system enables quick and easy disassembly of the pump from the motor unit for service and inspection. No special tools are required. Pipework connection is via a DIN flange.

### Further product details

The pump is suitable for both temporary and permanent installation either as free-standing on ring stand or on an auto-coupling system.

#### Pump

The pump housing, motor top and impeller are made of cast iron (EN-GJL-250).

All surfaces of the cast iron parts are protected with cathodolysis coating. The surface of the cast iron pump parts is afterwards painted with environmental friendly powder coating (type NCS 9000N (black), gloss code 30, thickness 100 µm) which ensures high impact and corrosion protection. The final pump is assembled from already painted parts which ensures that no rust or scale can be formed in grooves between parts, etc.

The SuperVortex impeller is a symmetrical multivane winglet impeller. The design ensures a flow entirely outside the impeller providing limited contact between the impeller and the pumped liquid. This ensures that long fibres, rags and more passes freely through the pump without getting caught and without causing clogging or jamming.



The shaft seal consists of two mechanical seals that ensure a reliable sealing between the pumped liquid and motor. The shaft seals are incorporated in a single-unit cartridge shaft seal system that is easy to replace in the field without use of special tools.

The combination of the primary and secondary seals in a cartridge shaft seal system results in a shorter assembly length compared to conventional shaft seals.

Qty.	Description
	<ul style="list-style-type: none"> <li>- Primary seal: Silicon carbide/silicon carbide (SiC/SiC)</li> <li>- Secondary seal: Carbon/Ceramics</li> </ul> <p>The shaft seal is bidirectional, meaning it operates correctly in case of backflow through the pump.</p> <div data-bbox="220 443 544 607" data-label="Image"> </div> <p>The pump is approved according to LGA.</p> <p><b>Motor</b></p> <p>The motor is a watertight, totally encapsulated motor supplied with a 33 ft power cable. The stainless steel plug is fastened with a union nut. This nut and the O-rings provide sealing against ingress of the liquid.</p> <p>The plug is polyurethane-embedded, ensuring a watertight and durable seal around the leads of the cable. This prevents the ingress of water into the motor through the cable in case of cable breakage or adverse handling in connection with installation or service.</p> <p>A compact motor construction with a short shaft reduces vibrations, resulting in an increased efficiency and lifetime of the shaft seal and ball bearings.</p> <p>The motor features built-in thermal protection to protect the motor against overheating and ensure the reliability. The pump is designed for speed-controlled operation to keep the energy consumption at a minimum. To avoid the risk of sedimentation in the pipes, we recommend that you operate the speed-controlled pump within a speed range of 30 % to 100 % and at a flow rate above 1 m/s.</p> <p><b>Controls:</b></p> <p>Moisture sensor: without moisture sensors  Water-in-oil sensor: without water-in-oil sensor  AUTOADAPT: YES</p> <p><b>Liquid:</b></p> <p>Pumped liquid: Any Newtonian liquid  Maximum liquid temperature: 104 °F  Density: 62.29 lb/ft<sup>3</sup></p> <p><b>Technical:</b></p> <p>Type of impeller: SUPER VORTEX  Maximum particle size: 2 9/16 in  Primary shaft seal: SIC/SIC  Secondary shaft seal: LIPSEAL  Approvals on nameplate: LGA  Curve tolerance: ISO9906:2012 3B2</p> <p><b>Materials:</b></p> <p>Pump housing: Cast iron  EN-JL-1030</p> <p>Impeller: Cast iron  EN-GJS-400-15</p> <p>Motor: EN-GJL-200</p> <p><b>Installation:</b></p> <p>Maximum ambient temperature: 104 °F  Flange standard: DIN  Pump outlet: 65  Pressure rating: PN 10  Maximum installation depth: 32.8 ft  Frame range: A</p> <p><b>Electrical data:</b></p> <p>Power input - P1: 1.3 kW</p>



Company name:

Created by:

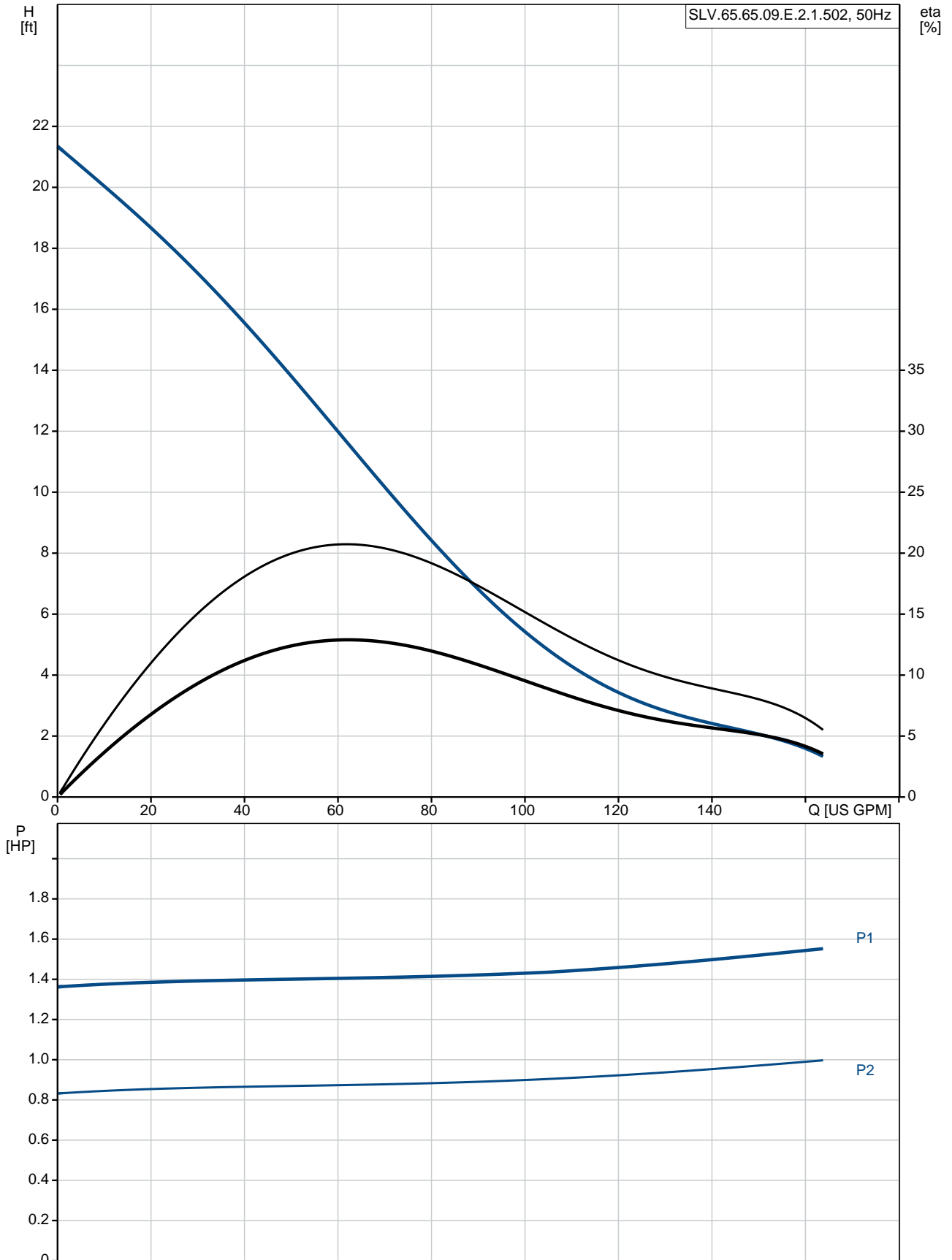
Phone:

Date:

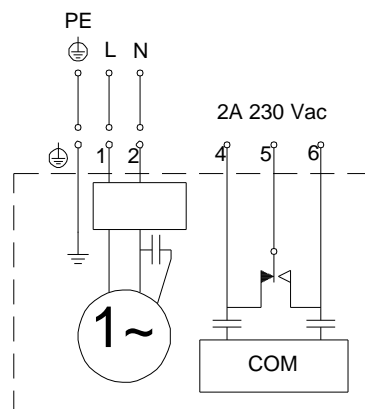
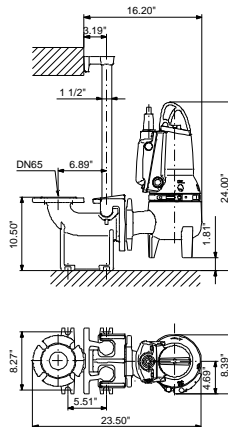
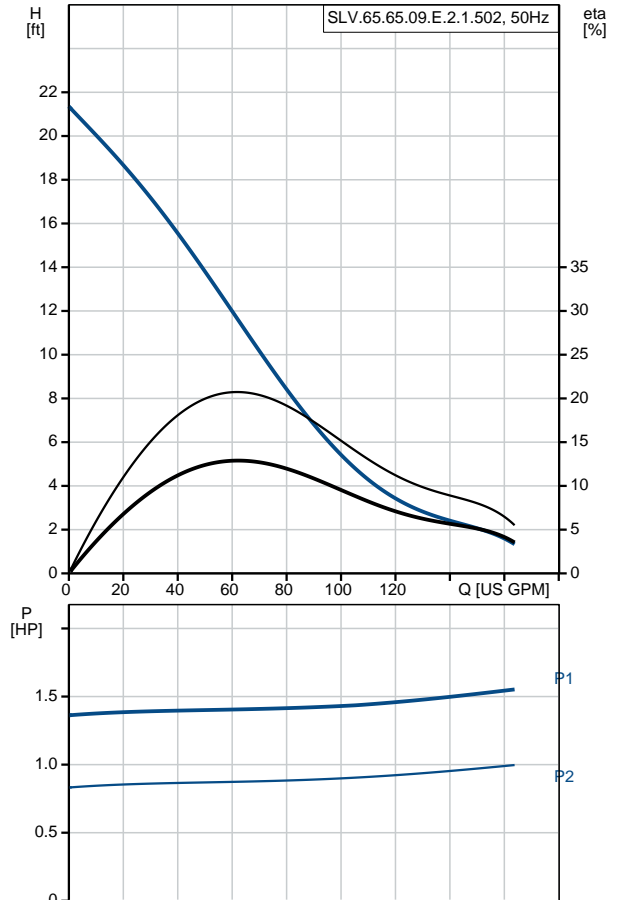
01/10/2020

Qty.	Description
	Rated power - P2: 1.21 HP
	Mains frequency: 50 Hz
	Rated voltage: 1 x 230 V
	Voltage tolerance: +6/-10 %
	Max starts per. hour: 30
	Rated current: 6.1 A
	Rated current at 3/4 load: 5.1 A
	Rated current at 1/2 load: 4.1 A
	Starting current: 38 A
	Rated current at no load: 2.6 A
	Cos phi - power factor: 0.96
	Cos phi - p.f. at 3/4 load: 0.92
	Cos phi - p.f. at 1/2 load: 0.86
	Rated speed: 2870 rpm
	Motor efficiency at full load: 67 %
	Motor efficiency at 3/4 load: 63 %
	Motor efficiency at 1/2 load: 55 %
	Number of poles: 2
	Start. method: direct-on-line
	Enclosure class (IEC 34-5): IP68
	Insulation class (IEC 85): F
	Explosion proof: no
	Length of cable: 33 ft
	Cable type: LYNIFLEX
	Others:
	Net weight: 112 lb
	Swedish RSK No.: 5885973
	Country of origin: HU
	Custom tariff no.: 84137021

## 96878474 SLV.65.65.09.E.2.1.502 50 Hz



Description	Value
<b>General information:</b>	
Product name:	SLV.65.65.09.E.2.1.502
Product No:	96878474
EAN number:	5700312550754
Price:	GBP 1911
<b>Technical:</b>	
Maximum flow:	163 US GPM
Max flow:	163 US GPM
Head max:	21.33 ft
Type of impeller:	SUPER VORTEX
Maximum particle size:	2 9/16 in
Primary shaft seal:	SIC/SIC
Secondary shaft seal:	LIPSEAL
Approvals on nameplate:	LGA
Curve tolerance:	ISO9906:2012 3B2
Cooling jacket:	without cooling jacket
<b>Materials:</b>	
Pump housing:	Cast iron
Pump housing:	EN-JL-1030
Impeller:	Cast iron
Impeller:	EN-GJS-400-15
Motor:	EN-GJL-200
<b>Installation:</b>	
Maximum ambient temperature:	104 °F
Flange standard:	DIN
Pump outlet:	65
Pressure rating:	PN 10
Maximum installation depth:	32.8 ft
Inst dry/wet:	SUBMERGED
Installation:	Vertical
Frame range:	A
<b>Liquid:</b>	
Pumped liquid:	Any Newtonian liquid
Maximum liquid temperature:	104 °F
Density:	62.29 lb/ft <sup>3</sup>
<b>Electrical data:</b>	
Power input - P1:	1.3 kW
Rated power - P2:	1.21 HP
Mains frequency:	50 Hz
Rated voltage:	1 x 230 V
Voltage tolerance:	+6/-10 %
Max starts per. hour:	30
Rated current:	6.1 A
Rated current at 3/4 load:	5.1 A
Rated current at 1/2 load:	4.1 A
Starting current:	38 A
Rated current at no load:	2.6 A
Cos phi - power factor:	0.96
Cos phi - p.f. at 3/4 load:	0.92
Cos phi - p.f. at 1/2 load:	0.86
Rated speed:	2870 rpm
Motor efficiency at full load:	67 %
Motor efficiency at 3/4 load:	63 %
Motor efficiency at 1/2 load:	55 %
Number of poles:	2
Start. method:	direct-on-line
Enclosure class (IEC 34-5):	IP68
Insulation class (IEC 85):	F





Company name:

Created by:

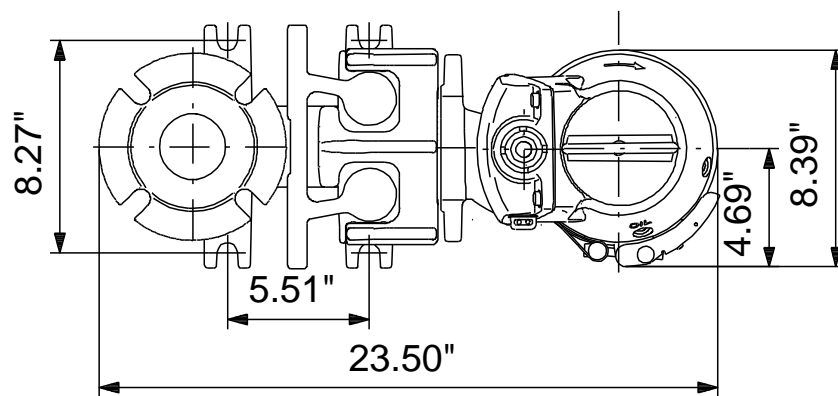
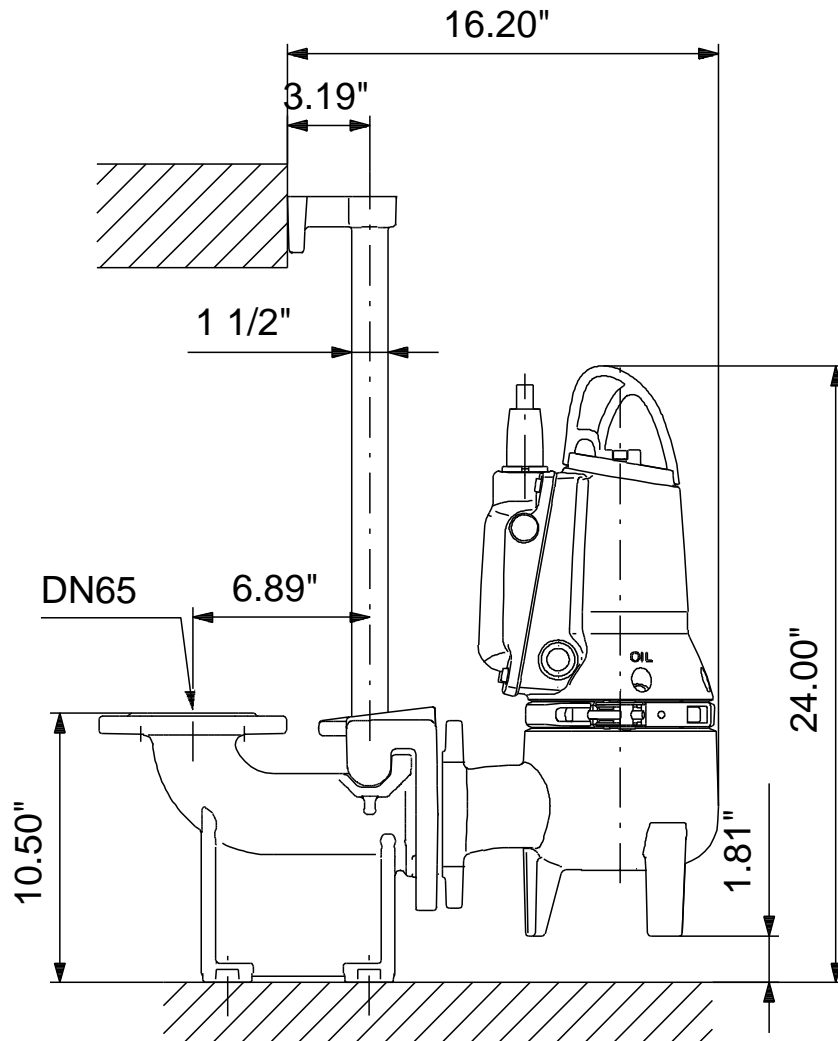
Phone:

Date:

01/10/2020

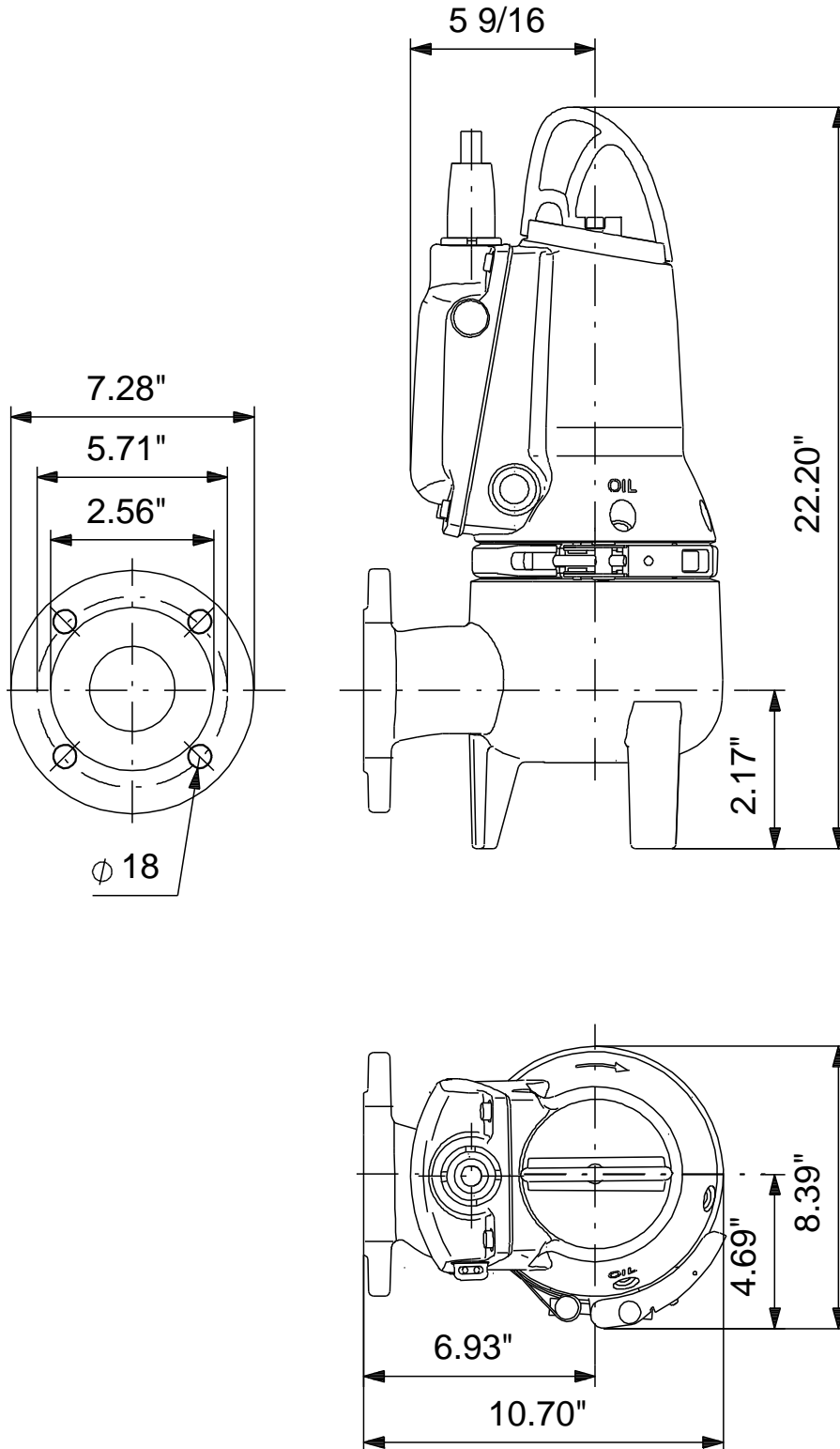
Description	Value
Explosion proof:	no
Motor protec:	THERMAL SWITCH
Length of cable:	33 ft
Cable type:	LYNIFLEX
<b>Controls:</b>	
Control box:	not included
Moisture sensor:	without moisture sensors
Water-in-oil sensor:	without water-in-oil sensor
AUTOADAPT:	YES
<b>Others:</b>	
Net weight:	112 lb
Swedish RSK No.:	5885973
Country of origin:	HU
Custom tariff no.:	84137021

## 96878474 SLV.65.65.09.E.2.1.502 50 Hz



Note! All units are in [in] unless others are stated.  
Disclaimer: This simplified dimensional drawing does not show all details.

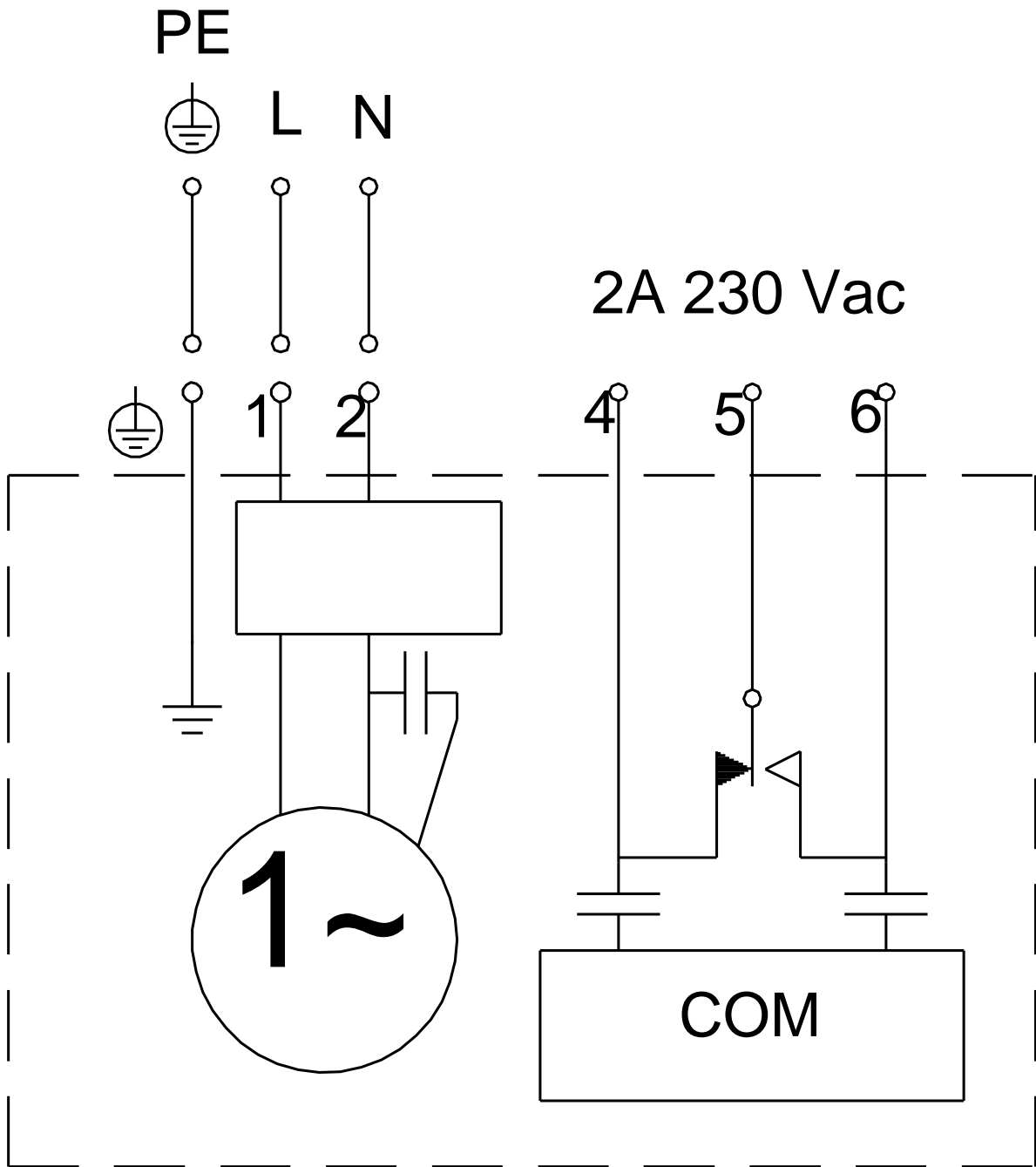
## 96878474 SLV.65.65.09.E.2.1.502 50 Hz



Note! All units are in [in] unless others are stated.  
Disclaimer: This simplified dimensional drawing does not show all details.



96878474 SLV.65.65.09.E.2.1.502 50 Hz



Note! All units are in [in] unless others are stated.