
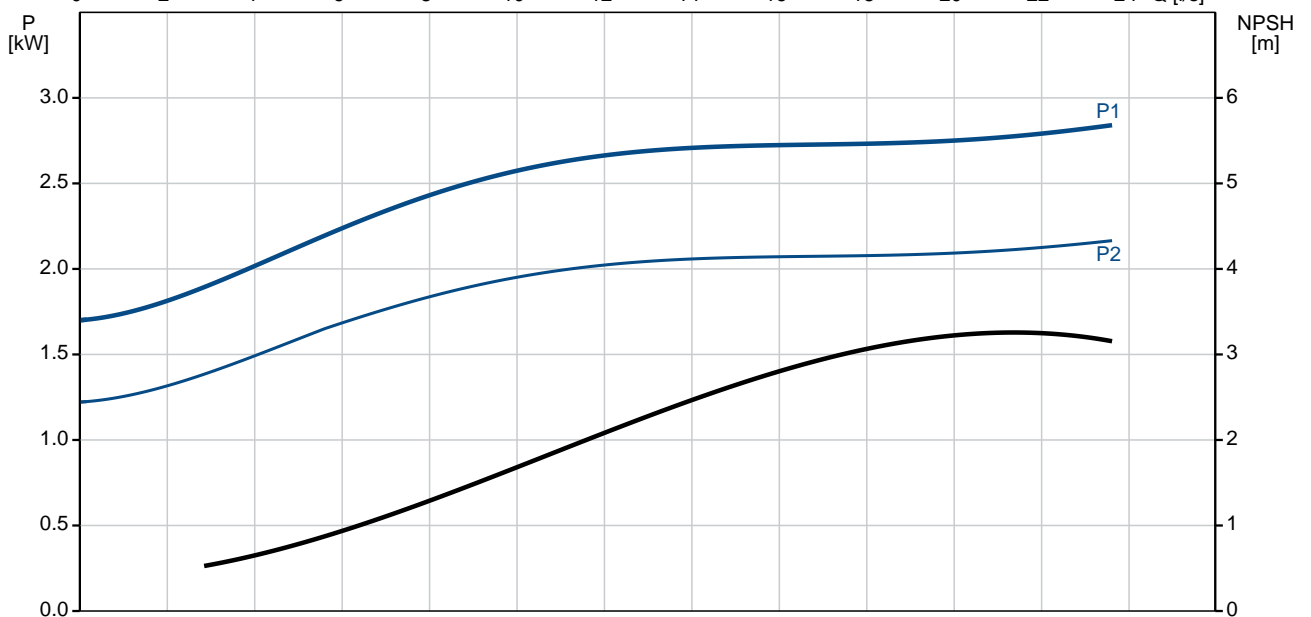
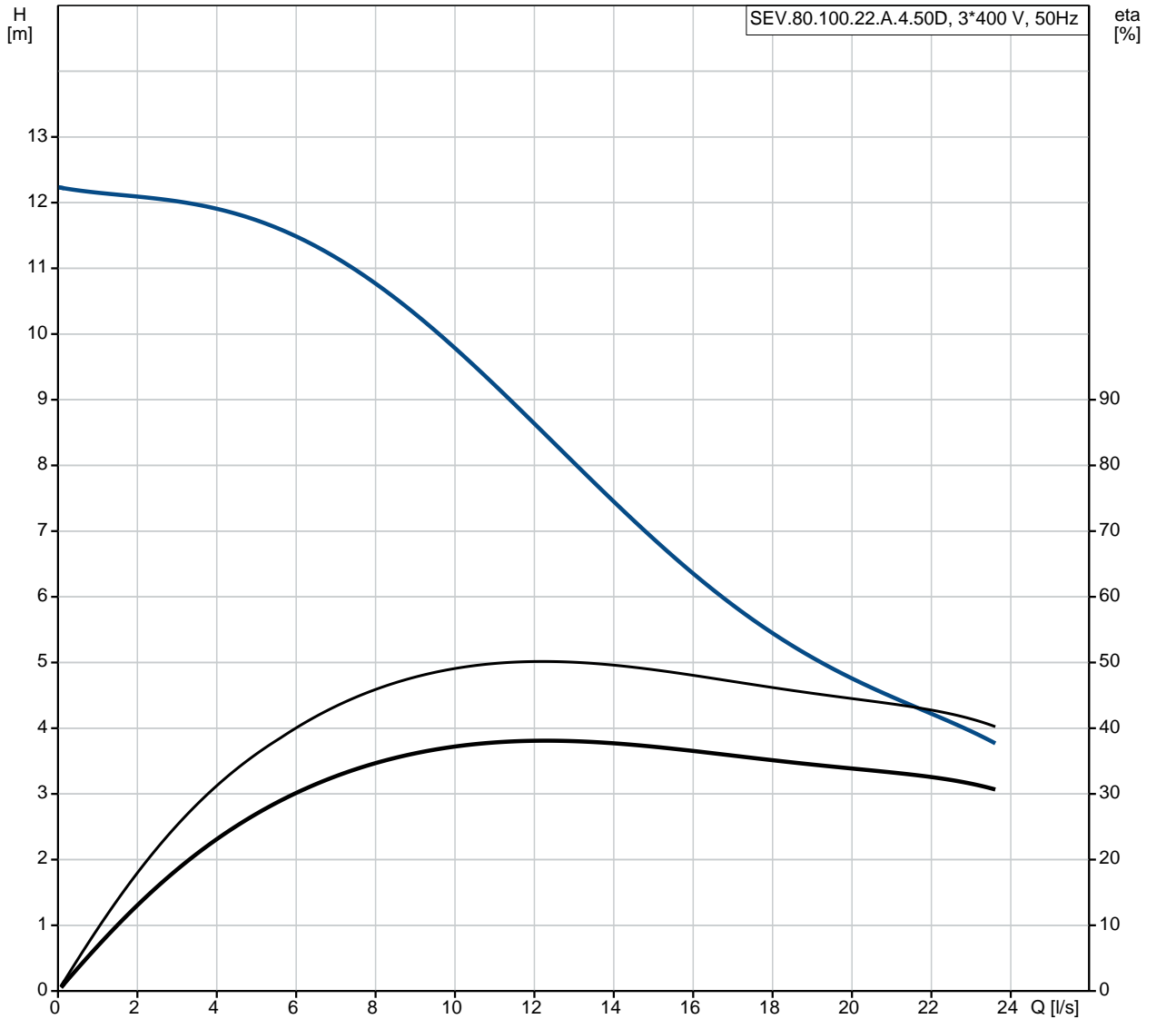


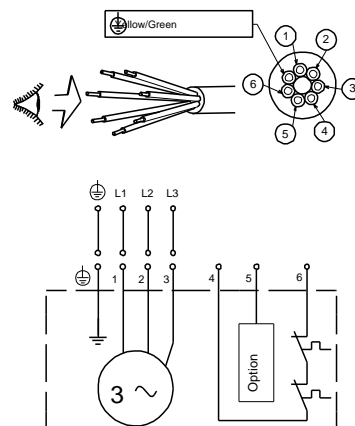
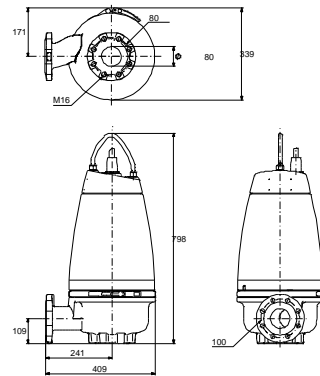
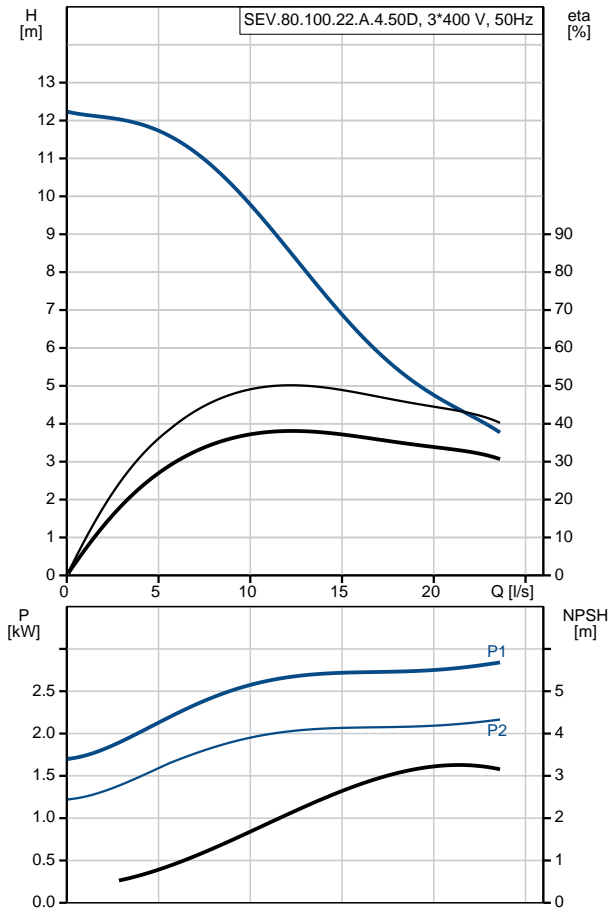
| Qty. | Description | | | | | | | | | | | | | | | | | | | | | | | | | | | | | | | | | | | | | | | | | | | | | | | | | | |
|------------------------------|--|------------------|-----------------------|----------------------|--------------------------|---------------|---|----------------|----------------------|---------------------------|------------|----------|-------------------------|-------------------|--------------|------------------------|-------|---------------------|---------|-----------------------|-----------------|----------------------------|------|-------------------------|-----------|------------------|------------------|---------------|--------------------|-----------|-----------|------------------------------|-------|-----------------------------|-------|------------------|-----|--------------|--------|------------------|-------|-----------------------------|------|-------------------|--------|-------------------|--------|------------------|-------|----------------|---------------|
| 1 | <p data-bbox="199 338 469 367">SEV.80.100.22.A.4.50D</p> <div data-bbox="225 383 560 663">  </div> <p data-bbox="592 640 1075 667">Note! Product picture may differ from actual product</p> <p data-bbox="199 674 469 701">Product No.: 96780700</p> <p data-bbox="199 730 1460 786">Non-self-priming, single-stage, centrifugal pump designed for handling wastewater, process water and unscreened raw sewage.</p> <p data-bbox="199 792 1460 893">The pump is designed for intermittent and continuous operation. The liquidless and maintenance free cooling system ensures that the pump can be used for submerged or dry installation. The efficient SuperVortex impeller provides passage of long fibres and solids up to 80 mm and is suitable for wastewater with a dry matter content of up to 5 %.</p> <p data-bbox="199 904 1404 960">A unique stainless-steel clamp assembling system enables quick and easy disassembly of the pump from the motor unit for service and inspection. No special tools are required. Pipework connection is via a DIN flange.</p> <p data-bbox="199 1021 316 1048">Controls:</p> <table data-bbox="199 1055 821 1137"> <tr> <td>Moisture sensor:</td> <td>with moisture sensors</td> </tr> <tr> <td>Water-in-oil sensor:</td> <td>with water-in-oil sensor</td> </tr> <tr> <td>Temp. sensor:</td> <td>Y</td> </tr> </table> <p data-bbox="199 1171 288 1198">Liquid:</p> <table data-bbox="199 1205 799 1288"> <tr> <td>Pumped liquid:</td> <td>Any Newtonian liquid</td> </tr> <tr> <td>Liquid temperature range:</td> <td>0 .. 40 °C</td> </tr> <tr> <td>Density:</td> <td>998.2 kg/m³</td> </tr> </table> <p data-bbox="199 1321 328 1348">Technical:</p> <table data-bbox="199 1355 810 1554"> <tr> <td>Type of impeller:</td> <td>SUPER VORTEX</td> </tr> <tr> <td>Maximum particle size:</td> <td>80 mm</td> </tr> <tr> <td>Primary shaft seal:</td> <td>SIC/SIC</td> </tr> <tr> <td>Secondary shaft seal:</td> <td>CARBON/CERAMICS</td> </tr> <tr> <td>Max. hydraulic efficiency:</td> <td>47 %</td> </tr> <tr> <td>Approvals on nameplate:</td> <td>EN12050-1</td> </tr> <tr> <td>Curve tolerance:</td> <td>ISO9906:2012 3B2</td> </tr> </table> <p data-bbox="199 1588 320 1615">Materials:</p> <table data-bbox="199 1621 810 1677"> <tr> <td>Pump housing:</td> <td>EN 1561 EN-GJL-250</td> </tr> <tr> <td>Impeller:</td> <td>Cast iron</td> </tr> </table> <p data-bbox="199 1711 344 1738">Installation:</p> <table data-bbox="199 1744 651 1912"> <tr> <td>Maximum ambient temperature:</td> <td>40 °C</td> </tr> <tr> <td>Maximum operating pressure:</td> <td>6 bar</td> </tr> <tr> <td>Flange standard:</td> <td>DIN</td> </tr> <tr> <td>Pump outlet:</td> <td>DN 100</td> </tr> <tr> <td>Pressure rating:</td> <td>PN 10</td> </tr> <tr> <td>Maximum installation depth:</td> <td>20 m</td> </tr> </table> <p data-bbox="199 1946 381 1973">Electrical data:</p> <table data-bbox="199 1980 722 2092"> <tr> <td>Power input - P1:</td> <td>2.9 kW</td> </tr> <tr> <td>Rated power - P2:</td> <td>2.2 kW</td> </tr> <tr> <td>Mains frequency:</td> <td>50 Hz</td> </tr> <tr> <td>Rated voltage:</td> <td>3 x 380-415 V</td> </tr> </table> | Moisture sensor: | with moisture sensors | Water-in-oil sensor: | with water-in-oil sensor | Temp. sensor: | Y | Pumped liquid: | Any Newtonian liquid | Liquid temperature range: | 0 .. 40 °C | Density: | 998.2 kg/m ³ | Type of impeller: | SUPER VORTEX | Maximum particle size: | 80 mm | Primary shaft seal: | SIC/SIC | Secondary shaft seal: | CARBON/CERAMICS | Max. hydraulic efficiency: | 47 % | Approvals on nameplate: | EN12050-1 | Curve tolerance: | ISO9906:2012 3B2 | Pump housing: | EN 1561 EN-GJL-250 | Impeller: | Cast iron | Maximum ambient temperature: | 40 °C | Maximum operating pressure: | 6 bar | Flange standard: | DIN | Pump outlet: | DN 100 | Pressure rating: | PN 10 | Maximum installation depth: | 20 m | Power input - P1: | 2.9 kW | Rated power - P2: | 2.2 kW | Mains frequency: | 50 Hz | Rated voltage: | 3 x 380-415 V |
| Moisture sensor: | with moisture sensors | | | | | | | | | | | | | | | | | | | | | | | | | | | | | | | | | | | | | | | | | | | | | | | | | | |
| Water-in-oil sensor: | with water-in-oil sensor | | | | | | | | | | | | | | | | | | | | | | | | | | | | | | | | | | | | | | | | | | | | | | | | | | |
| Temp. sensor: | Y | | | | | | | | | | | | | | | | | | | | | | | | | | | | | | | | | | | | | | | | | | | | | | | | | | |
| Pumped liquid: | Any Newtonian liquid | | | | | | | | | | | | | | | | | | | | | | | | | | | | | | | | | | | | | | | | | | | | | | | | | | |
| Liquid temperature range: | 0 .. 40 °C | | | | | | | | | | | | | | | | | | | | | | | | | | | | | | | | | | | | | | | | | | | | | | | | | | |
| Density: | 998.2 kg/m ³ | | | | | | | | | | | | | | | | | | | | | | | | | | | | | | | | | | | | | | | | | | | | | | | | | | |
| Type of impeller: | SUPER VORTEX | | | | | | | | | | | | | | | | | | | | | | | | | | | | | | | | | | | | | | | | | | | | | | | | | | |
| Maximum particle size: | 80 mm | | | | | | | | | | | | | | | | | | | | | | | | | | | | | | | | | | | | | | | | | | | | | | | | | | |
| Primary shaft seal: | SIC/SIC | | | | | | | | | | | | | | | | | | | | | | | | | | | | | | | | | | | | | | | | | | | | | | | | | | |
| Secondary shaft seal: | CARBON/CERAMICS | | | | | | | | | | | | | | | | | | | | | | | | | | | | | | | | | | | | | | | | | | | | | | | | | | |
| Max. hydraulic efficiency: | 47 % | | | | | | | | | | | | | | | | | | | | | | | | | | | | | | | | | | | | | | | | | | | | | | | | | | |
| Approvals on nameplate: | EN12050-1 | | | | | | | | | | | | | | | | | | | | | | | | | | | | | | | | | | | | | | | | | | | | | | | | | | |
| Curve tolerance: | ISO9906:2012 3B2 | | | | | | | | | | | | | | | | | | | | | | | | | | | | | | | | | | | | | | | | | | | | | | | | | | |
| Pump housing: | EN 1561 EN-GJL-250 | | | | | | | | | | | | | | | | | | | | | | | | | | | | | | | | | | | | | | | | | | | | | | | | | | |
| Impeller: | Cast iron | | | | | | | | | | | | | | | | | | | | | | | | | | | | | | | | | | | | | | | | | | | | | | | | | | |
| Maximum ambient temperature: | 40 °C | | | | | | | | | | | | | | | | | | | | | | | | | | | | | | | | | | | | | | | | | | | | | | | | | | |
| Maximum operating pressure: | 6 bar | | | | | | | | | | | | | | | | | | | | | | | | | | | | | | | | | | | | | | | | | | | | | | | | | | |
| Flange standard: | DIN | | | | | | | | | | | | | | | | | | | | | | | | | | | | | | | | | | | | | | | | | | | | | | | | | | |
| Pump outlet: | DN 100 | | | | | | | | | | | | | | | | | | | | | | | | | | | | | | | | | | | | | | | | | | | | | | | | | | |
| Pressure rating: | PN 10 | | | | | | | | | | | | | | | | | | | | | | | | | | | | | | | | | | | | | | | | | | | | | | | | | | |
| Maximum installation depth: | 20 m | | | | | | | | | | | | | | | | | | | | | | | | | | | | | | | | | | | | | | | | | | | | | | | | | | |
| Power input - P1: | 2.9 kW | | | | | | | | | | | | | | | | | | | | | | | | | | | | | | | | | | | | | | | | | | | | | | | | | | |
| Rated power - P2: | 2.2 kW | | | | | | | | | | | | | | | | | | | | | | | | | | | | | | | | | | | | | | | | | | | | | | | | | | |
| Mains frequency: | 50 Hz | | | | | | | | | | | | | | | | | | | | | | | | | | | | | | | | | | | | | | | | | | | | | | | | | | |
| Rated voltage: | 3 x 380-415 V | | | | | | | | | | | | | | | | | | | | | | | | | | | | | | | | | | | | | | | | | | | | | | | | | | |

| Qty. | Description |
|------|--|
| | <p>Voltage tolerance: +6/-10 %</p> <p>Max starts per. hour: 20</p> <p>Rated current: 6.0-6.0 A</p> <p>Rated current at 3/4 load: 4.8 A</p> <p>Rated current at 1/2 load: 4.2 A</p> <p>Starting current: 32 A</p> <p>Rated current at no load: 3.6 A</p> <p>Cos phi - power factor: 0.74</p> <p>Cos phi - p.f. at no load: 0.13</p> <p>Cos phi - p.f. at 3/4 load: 0.66</p> <p>Cos phi - p.f. at 1/2 load: 0.53</p> <p>Rated speed: 1445 rpm</p> <p>Locked-rotor torque: 32 Nm</p> <p>Breakdown torque: 45 Nm</p> <p>Moment of inertia: 0.024 kg m²</p> <p>Motor efficiency at full load: 76.3 %</p> <p>Motor efficiency at 3/4 load: 75.2 %</p> <p>Motor efficiency at 1/2 load: 70.9 %</p> <p>Number of poles: 4</p> <p>Start. method: direct-on-line</p> <p>Enclosure class (IEC 34-5): IP68</p> <p>Insulation class (IEC 85): F</p> <p>Explosion proof: no</p> <p>Length of cable: 10 m</p> <p>Cable type: LYNIFLEX</p> <p>Type of cable plug: NO PLUG</p> <p>Others:</p> <p>Net weight: 105 kg</p> <p>Country of origin: HU</p> <p>Custom tariff no.: 84137021</p> |

96780700 SEV.80.100.22.A.4.50D 50 Hz



| Description | Value |
|--------------------------------|-------------------------|
| General information: | |
| Product name: | SEV.80.100.22.A.4.50D |
| Product No: | 96780700 |
| EAN number: | 5700310145570 |
| | 5700310145570 |
| Price: | 3.247,00 GBP |
| Technical: | |
| Max flow: | 23.6 l/s |
| Head max: | 12.2 m |
| Type of impeller: | SUPER VORTEX |
| Maximum particle size: | 80 mm |
| Primary shaft seal: | SIC/SIC |
| Secondary shaft seal: | CARBON/CERAMICS |
| Max. hydraulic efficiency: | 47 % |
| Approvals on nameplate: | EN12050-1 |
| Curve tolerance: | ISO9906:2012 3B2 |
| Cooling jacket: | with cooling jacket |
| Materials: | |
| Pump housing: | EN 1561 EN-GJL-250 |
| Impeller: | Cast iron |
| Installation: | |
| Maximum ambient temperature: | 40 °C |
| Maximum operating pressure: | 6 bar |
| Flange standard: | DIN |
| Pump outlet: | DN 100 |
| Pressure rating: | PN 10 |
| Maximum installation depth: | 20 m |
| Inst dry/wet: | DRY/SUBMERGED |
| Installation: | horizontal or vertical |
| Liquid: | |
| Pumped liquid: | Any Newtonian liquid |
| Liquid temperature range: | 0 .. 40 °C |
| Density: | 998.2 kg/m ³ |
| Electrical data: | |
| Power input - P1: | 2.9 kW |
| Rated power - P2: | 2.2 kW |
| Mains frequency: | 50 Hz |
| Rated voltage: | 3 x 380-415 V |
| Voltage tolerance: | +6/-10 % |
| Max starts per. hour: | 20 |
| Rated current: | 6.0-6.0 A |
| Rated current at 3/4 load: | 4.8 A |
| Rated current at 1/2 load: | 4.2 A |
| Starting current: | 32 A |
| Rated current at no load: | 3.6 A |
| Cos phi - power factor: | 0.74 |
| Cos phi - p.f. at no load: | 0.13 |
| Cos phi - p.f. at 3/4 load: | 0.66 |
| Cos phi - p.f. at 1/2 load: | 0.53 |
| Rated speed: | 1445 rpm |
| Locked-rotor torque: | 32 Nm |
| Breakdown torque: | 45 Nm |
| Moment of inertia: | 0.024 kg m ² |
| Motor efficiency at full load: | 76.3 % |
| Motor efficiency at 3/4 load: | 75.2 % |
| Motor efficiency at 1/2 load: | 70.9 % |
| Number of poles: | 4 |
| Start. method: | direct-on-line |





Company name:

Created by:

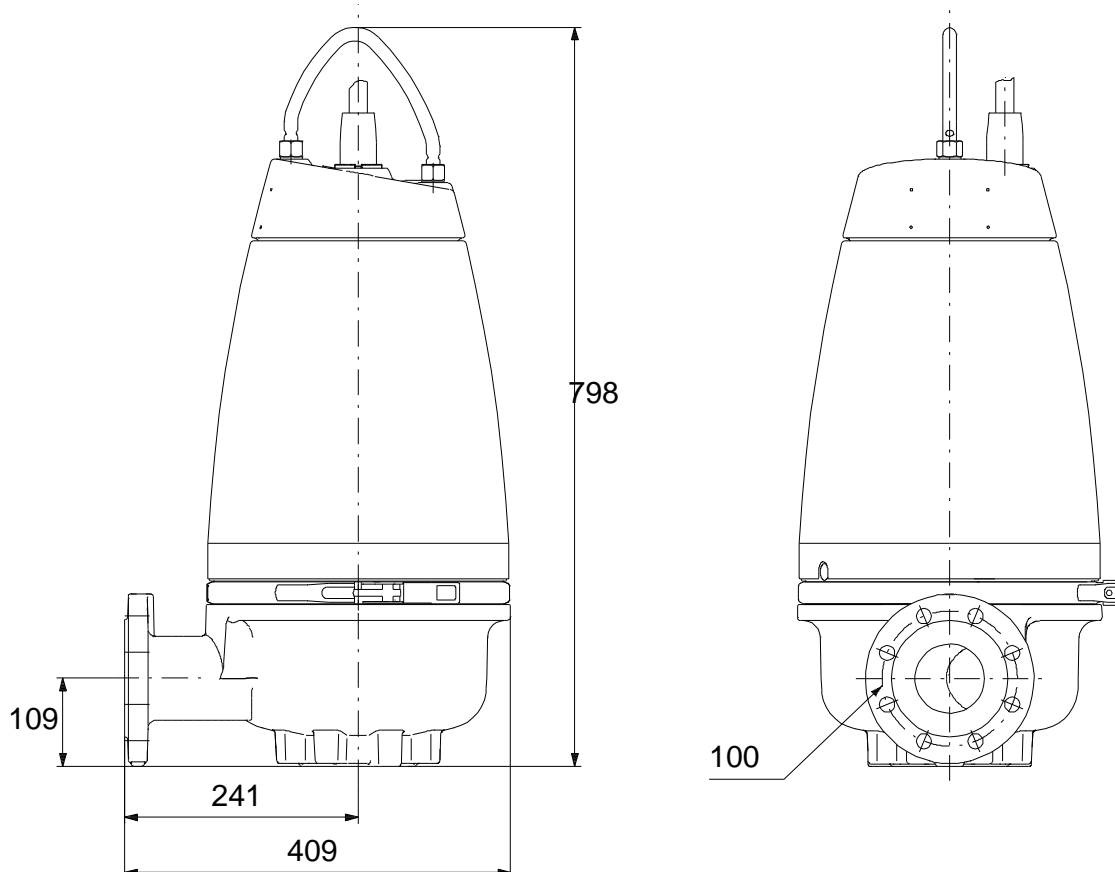
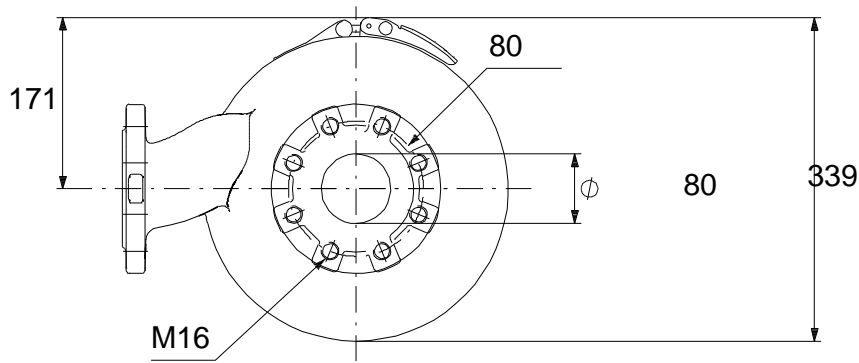
Phone:

Date:

28/01/2020

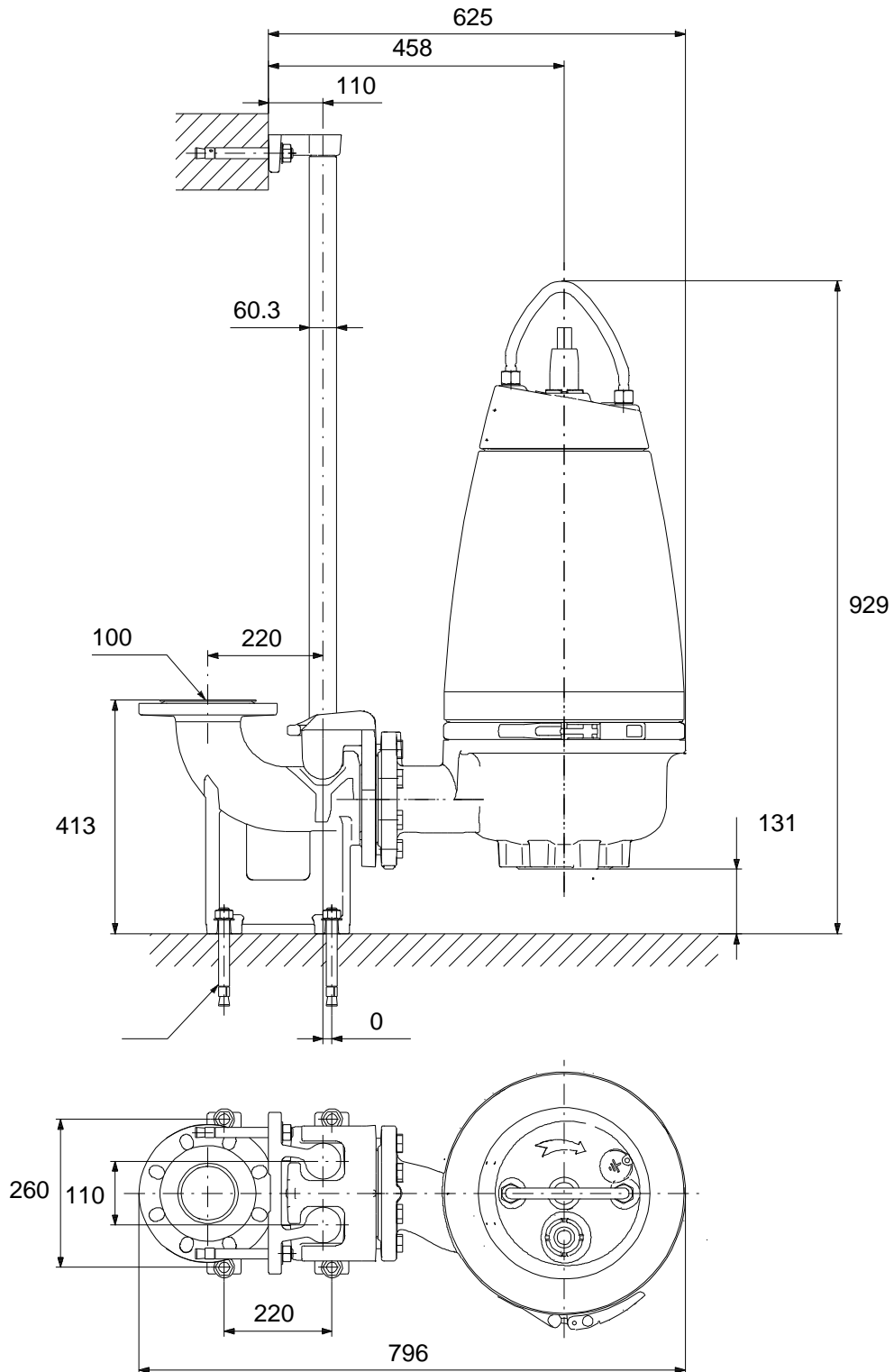
| Description | Value |
|-----------------------------|--------------------------|
| Enclosure class (IEC 34-5): | IP68 |
| Insulation class (IEC 85): | F |
| Explosion proof: | no |
| Motor protec: | THERMAL SWITCH |
| Thermal protec: | internal |
| Length of cable: | 10 m |
| Cable type: | LYNIFLEX |
| Type of cable plug: | NO PLUG |
| Controls: | |
| Control box: | not included |
| Moisture sensor: | with moisture sensors |
| Water-in-oil sensor: | with water-in-oil sensor |
| Temp. sensor: | Y |
| Others: | |
| Net weight: | 105 kg |
| Country of origin: | HU |
| Custom tariff no.: | 84137021 |

96780700 SEV.80.100.22.A.4.50D 50 Hz



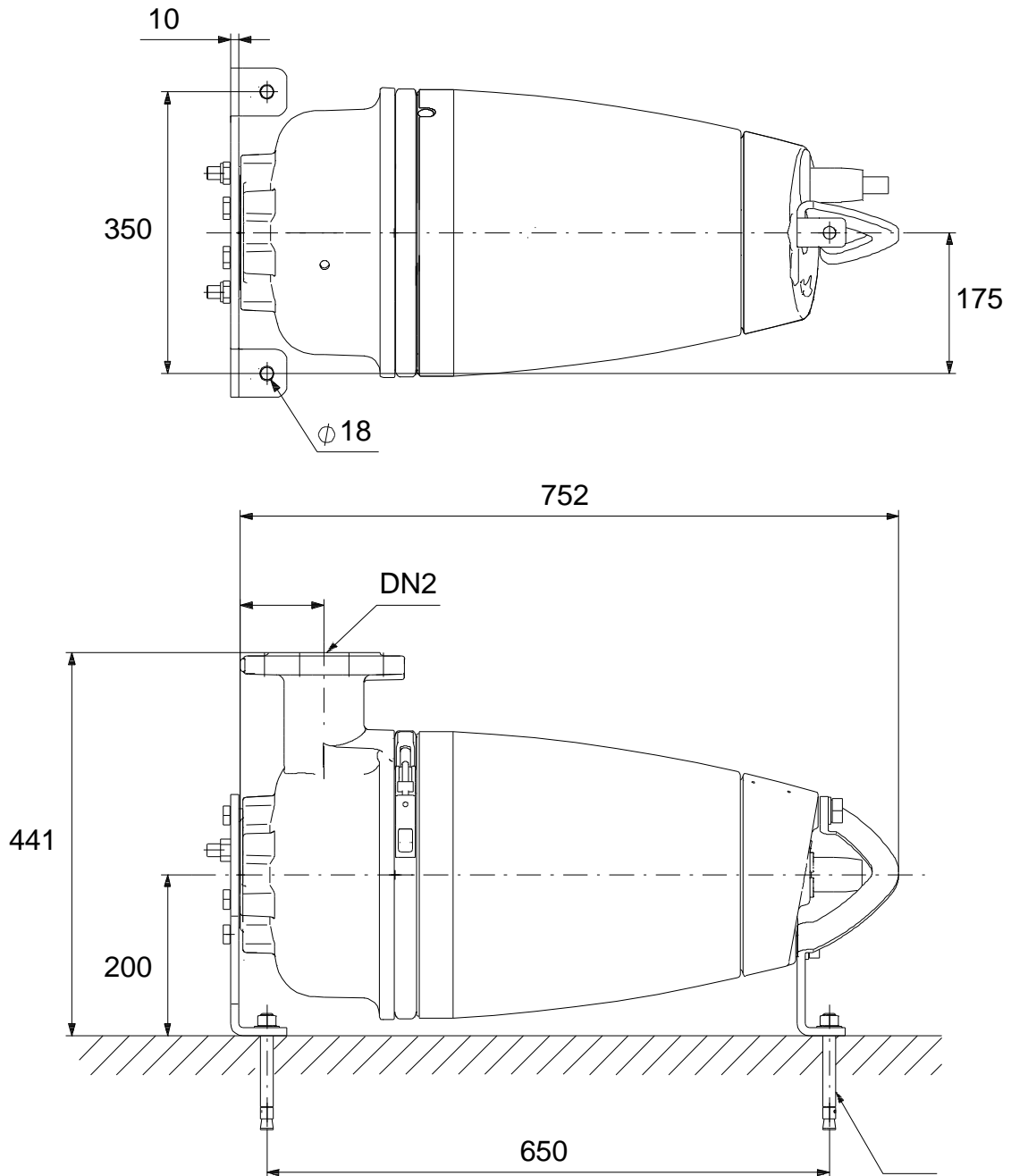
Note! All units are in [mm] unless others are stated.
Disclaimer: This simplified dimensional drawing does not show all details.

96780700 SEV.80.100.22.A.4.50D 50 Hz



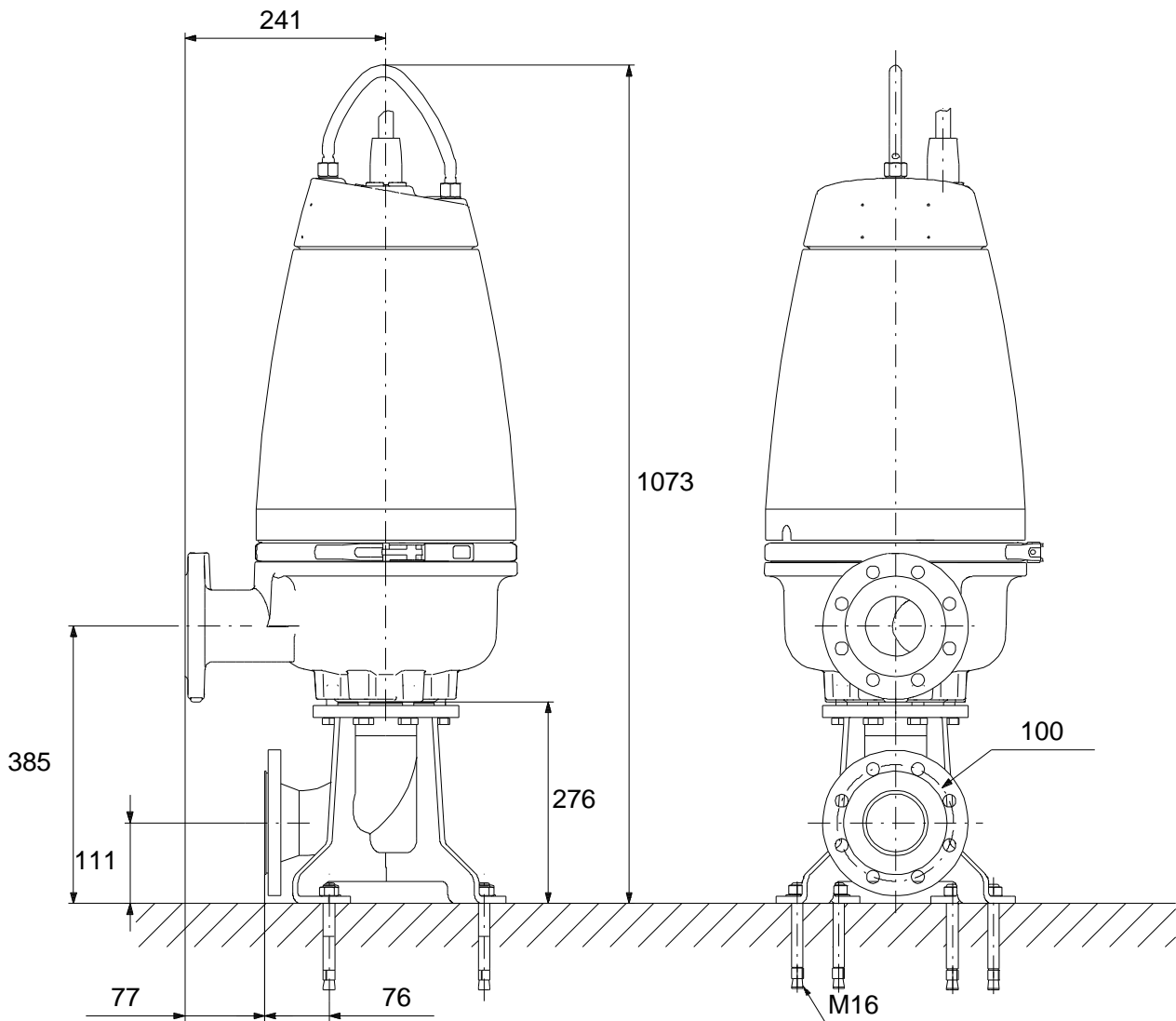
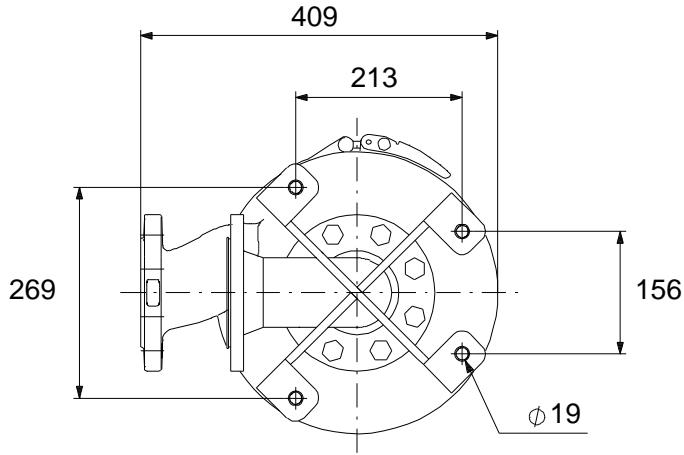
Note! All units are in [mm] unless others are stated.
Disclaimer: This simplified dimensional drawing does not show all details.

96780700 SEV.80.100.22.A.4.50D 50 Hz



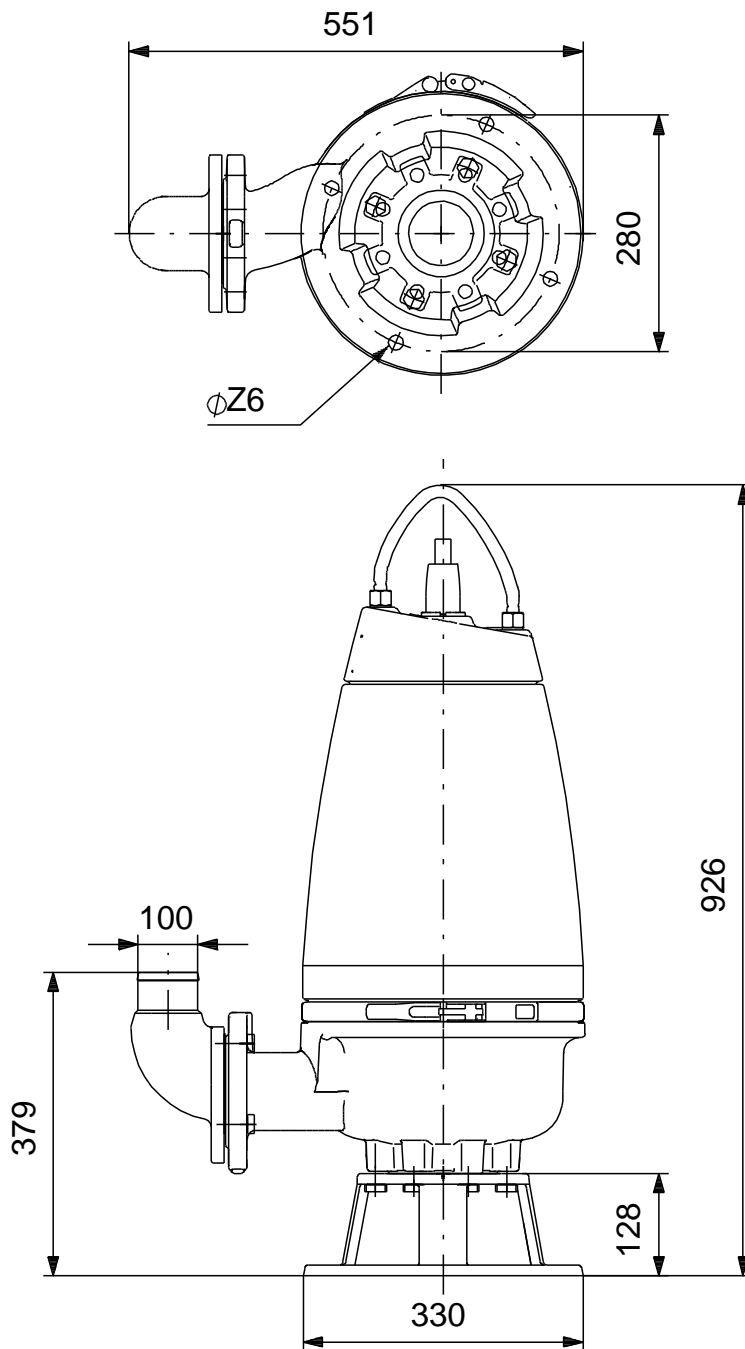
Note! All units are in [mm] unless others are stated.
Disclaimer: This simplified dimensional drawing does not show all details.

96780700 SEV.80.100.22.A.4.50D 50 Hz



Note! All units are in [mm] unless others are stated.
 Disclaimer: This simplified dimensional drawing does not show all details.

96780700 SEV.80.100.22.A.4.50D 50 Hz



Note! All units are in [mm] unless others are stated.
Disclaimer: This simplified dimensional drawing does not show all details.