

Qty. Description

1 SEV.80.100.92.2.51D



Note! Product picture may differ from actual product

Product No.: [96780690](#)

Non-self-priming, single-stage, centrifugal pump designed for handling wastewater, process water and unscreened raw sewage.

The pump is designed for intermittent and continuous operation. The liquidless and maintenance free cooling system ensures that the pump can be used for submerged or dry installation. The efficient SuperVortex impeller provides passage of long fibres and solids up to 80 mm and is suitable for wastewater with a dry matter content of up to 5 %.

A unique stainless-steel clamp assembling system enables quick and easy disassembly of the pump from the motor unit for service and inspection. No special tools are required. Pipework connection is via a DIN flange.

Controls:

Moisture sensor: without moisture sensors
 Water-in-oil sensor: without water-in-oil sensor
 Temp. sensor: N

Liquid:

Pumped liquid: Any Newtonian liquid
 Liquid temperature range: 0 .. 40 °C
 Density: 998.2 kg/m³

Technical:

Type of impeller: SUPER VORTEX
 Maximum particle size: 80 mm
 Primary shaft seal: SIC/SIC
 Secondary shaft seal: CARBON/CERAMICS
 Max. hydraulic efficiency: 39 %
 Approvals on nameplate: EN12050-1
 Curve tolerance: ISO9906:2012 3B2

Materials:

Pump housing: EN 1561 EN-GJL-250
 Impeller: Cast iron

Installation:

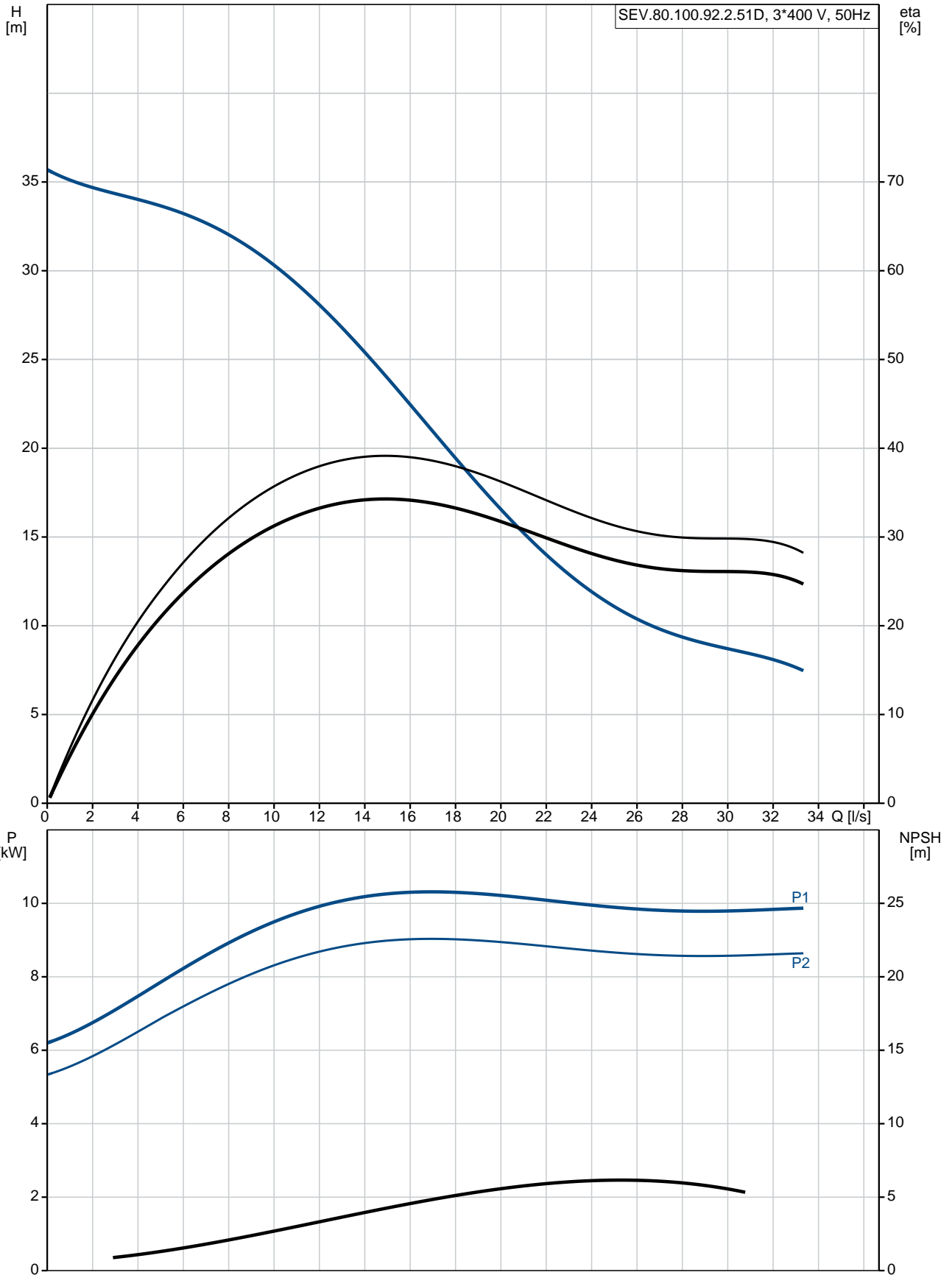
Maximum ambient temperature: 40 °C
 Maximum operating pressure: 6 bar
 Flange standard: DIN
 Pump outlet: DN 100
 Pressure rating: PN 10
 Maximum installation depth: 20 m

Electrical data:

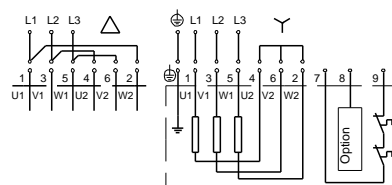
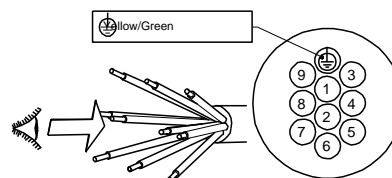
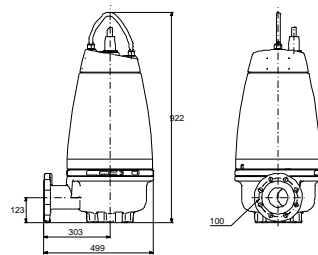
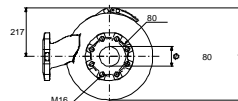
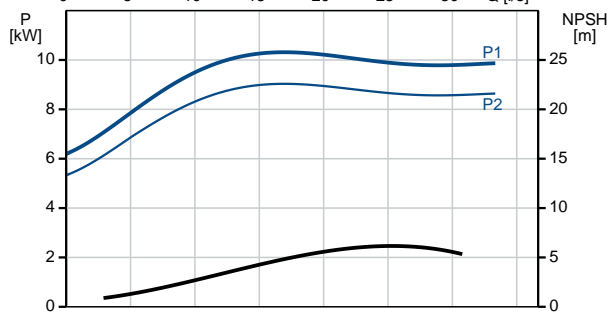
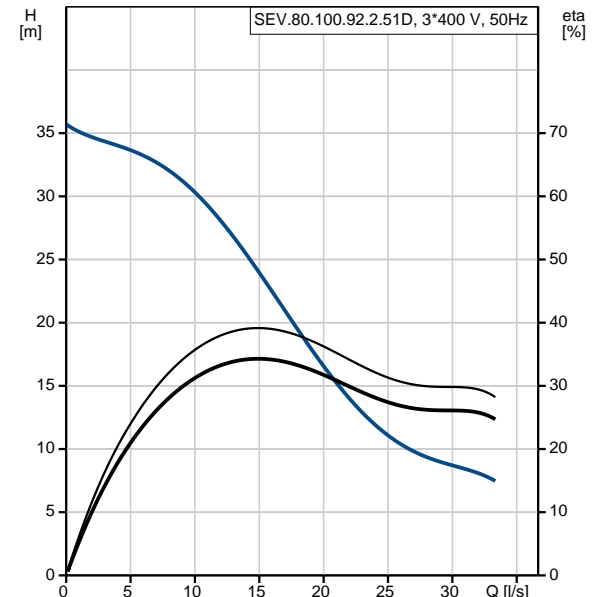
Power input - P1: 10.5 kW
 Rated power - P2: 9.2 kW
 Mains frequency: 50 Hz
 Rated voltage: 3 x 380-415 V

Qty.	Description
	Voltage tolerance: +6/-10 %
	Max starts per. hour: 20
	Rated current: 18.8-17.5 A
	Rated current at 3/4 load: 13.4 A
	Rated current at 1/2 load: 10 A
	Starting current: 162 A
	Rated current at no load: 5.6 A
	Cos phi - power factor: 0.89
	Cos phi - p.f. at no load: 0.16
	Cos phi - p.f. at 3/4 load: 0.85
	Cos phi - p.f. at 1/2 load: 0.78
	Rated speed: 2935 rpm
	Locked-rotor torque: 69 Nm
	Breakdown torque: 99 Nm
	Moment of inertia: 0.0334 kg m ²
	Motor efficiency at full load: 87.6 %
	Motor efficiency at 3/4 load: 87.4 %
	Motor efficiency at 1/2 load: 85.4 %
	Number of poles: 2
	Start. method: star/delta
	Enclosure class (IEC 34-5): IP68
	Insulation class (IEC 85): F
	Explosion proof: no
	Length of cable: 10 m
	Cable type: LYNIFLEX
	Type of cable plug: NO PLUG
	Others:
	Net weight: 191 kg
	Country of origin: HU
	Custom tariff no.: 84137021

96780690 SEV.80.100.92.2.51D 50 Hz



Description	Value
General information:	
Product name:	SEV.80.100.92.2.51D
Product No:	96780690
EAN number:	5700310145471
	5700310145471
Price:	5.334,00 GBP
Technical:	
Max flow:	33.3 l/s
Head max:	35.6 m
Type of impeller:	SUPER VORTEX
Maximum particle size:	80 mm
Primary shaft seal:	SIC/SIC
Secondary shaft seal:	CARBON/CERAMICS
Max. hydraulic efficiency:	39 %
Approvals on nameplate:	EN12050-1
Curve tolerance:	ISO9906:2012 3B2
Cooling jacket:	with cooling jacket
Materials:	
Pump housing:	EN 1561 EN-GJL-250
Impeller:	Cast iron
Installation:	
Maximum ambient temperature:	40 °C
Maximum operating pressure:	6 bar
Flange standard:	DIN
Pump outlet:	DN 100
Pressure rating:	PN 10
Maximum installation depth:	20 m
Inst dry/wet:	DRY/SUBMERGED
Installation:	horizontal or vertical
Liquid:	
Pumped liquid:	Any Newtonian liquid
Liquid temperature range:	0 .. 40 °C
Density:	998.2 kg/m ³
Electrical data:	
Power input - P1:	10.5 kW
Rated power - P2:	9.2 kW
Mains frequency:	50 Hz
Rated voltage:	3 x 380-415 V
Voltage tolerance:	+6/-10 %
Max starts per. hour:	20
Rated current:	18.8-17.5 A
Rated current at 3/4 load:	13.4 A
Rated current at 1/2 load:	10 A
Starting current:	162 A
Rated current at no load:	5.6 A
Cos phi - power factor:	0.89
Cos phi - p.f. at no load:	0.16
Cos phi - p.f. at 3/4 load:	0.85
Cos phi - p.f. at 1/2 load:	0.78
Rated speed:	2935 rpm
Locked-rotor torque:	69 Nm
Breakdown torque:	99 Nm
Moment of inertia:	0.0334 kg m ²
Motor efficiency at full load:	87.6 %
Motor efficiency at 3/4 load:	87.4 %
Motor efficiency at 1/2 load:	85.4 %
Number of poles:	2
Start. method:	star/delta





Company name:

Created by:

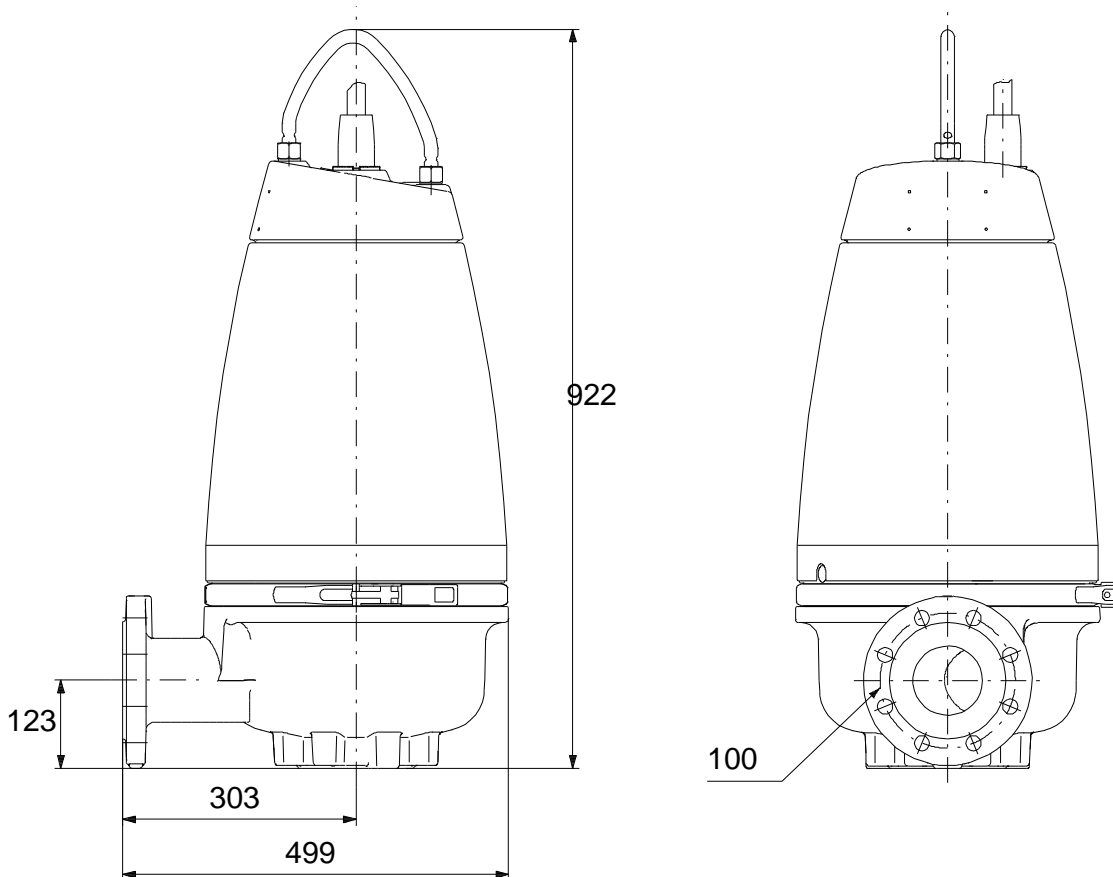
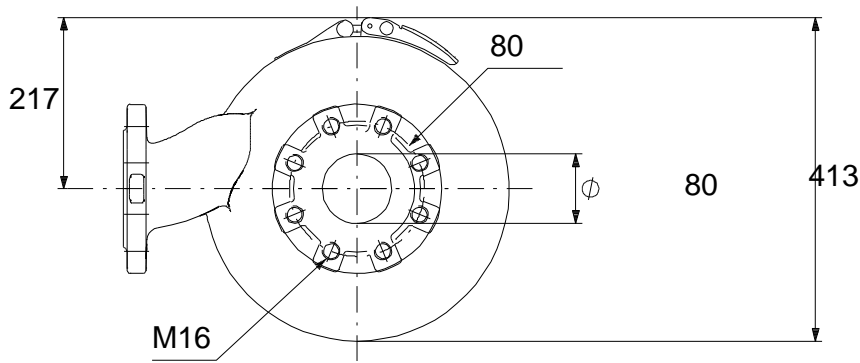
Phone:

Date:

28/01/2020

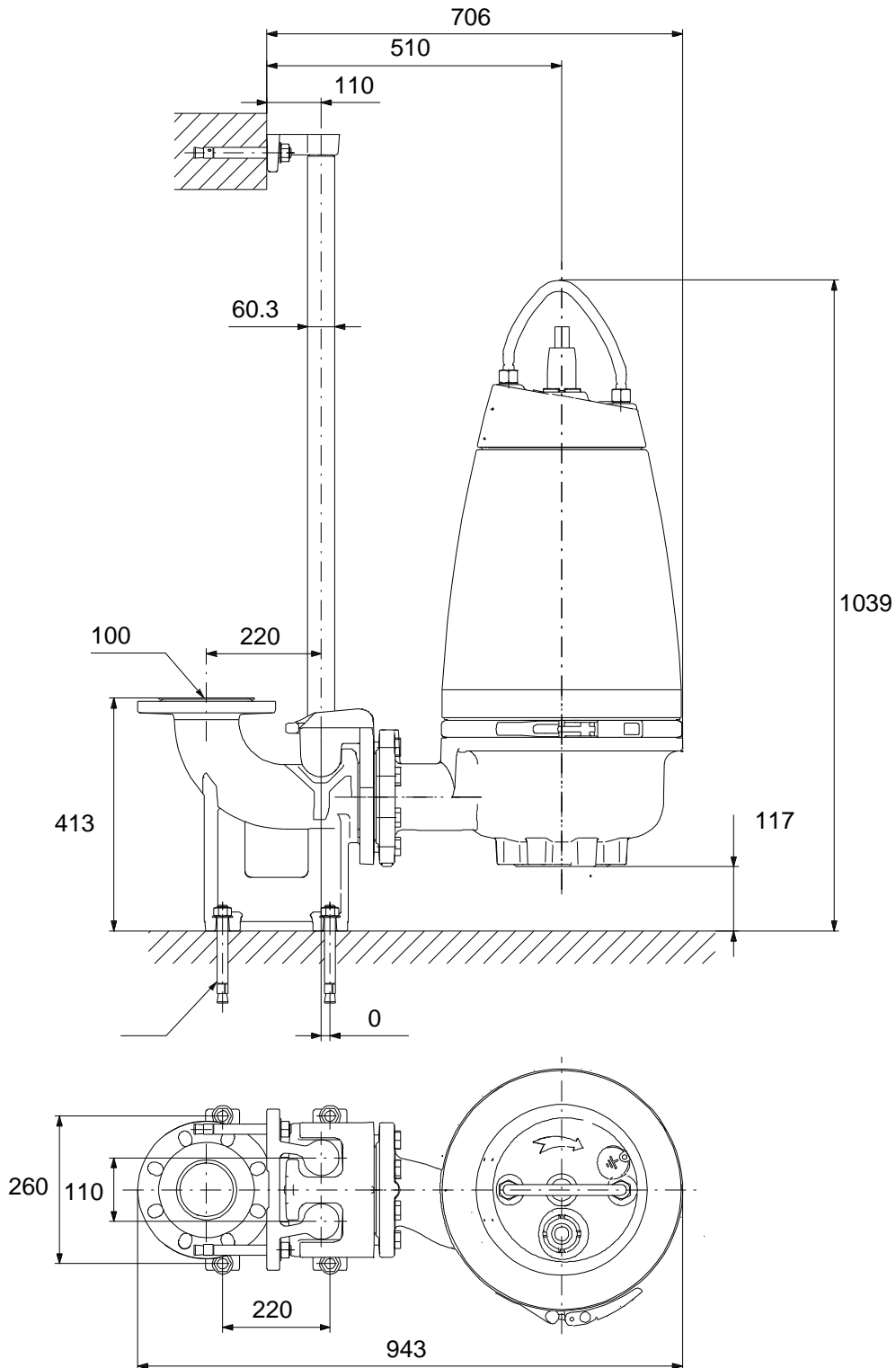
Description	Value
Enclosure class (IEC 34-5):	IP68
Insulation class (IEC 85):	F
Explosion proof:	no
Motor protec:	THERMAL SWITCH
Thermal protec:	internal
Length of cable:	10 m
Cable type:	LYNIFLEX
Type of cable plug:	NO PLUG
Controls:	
Control box:	not included
Moisture sensor:	without moisture sensors
Water-in-oil sensor:	without water-in-oil sensor
Temp. sensor:	N
Others:	
Net weight:	191 kg
Country of origin:	HU
Custom tariff no.:	84137021

96780690 SEV.80.100.92.2.51D 50 Hz



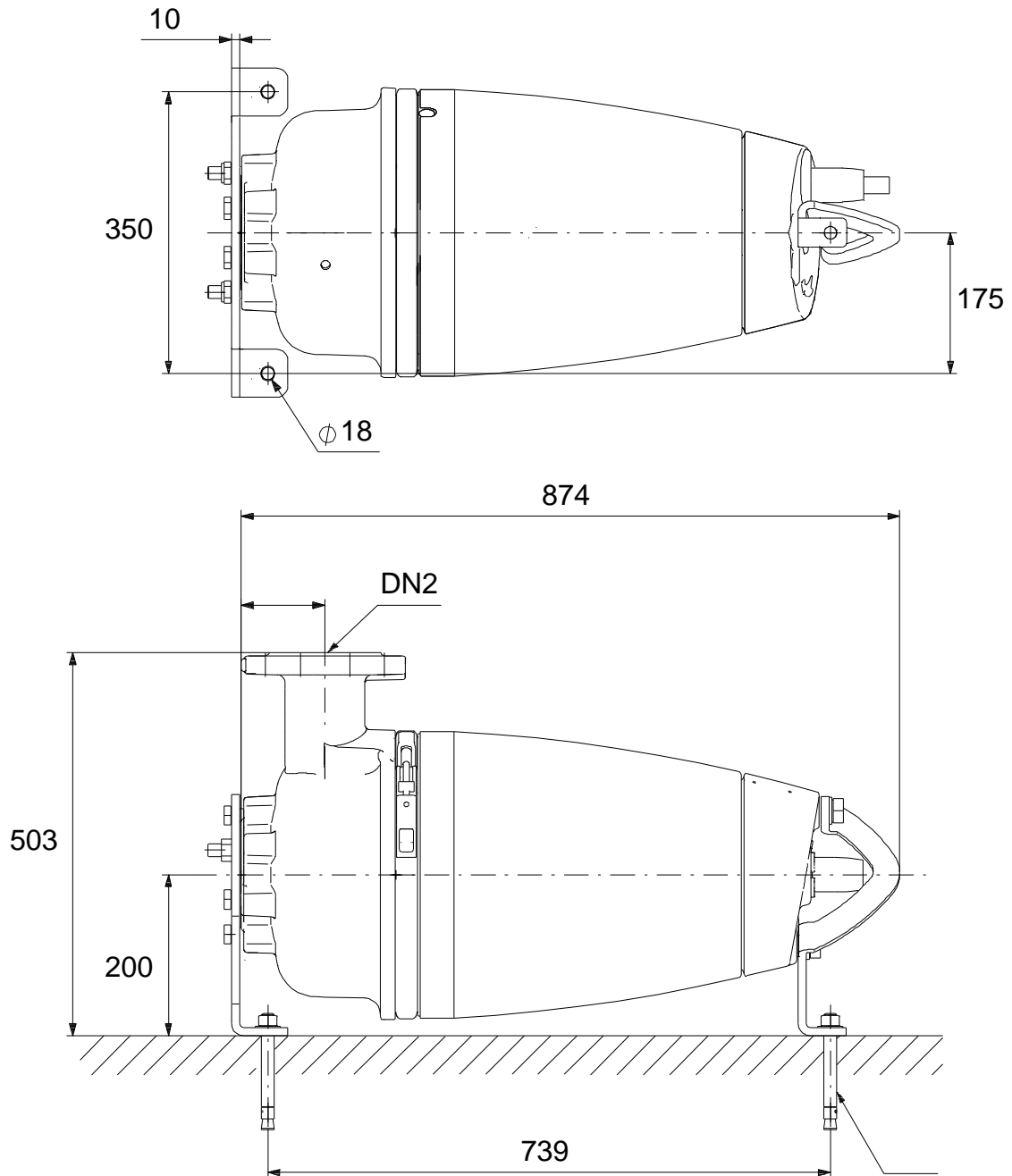
Note! All units are in [mm] unless others are stated.
Disclaimer: This simplified dimensional drawing does not show all details.

96780690 SEV.80.100.92.2.51D 50 Hz



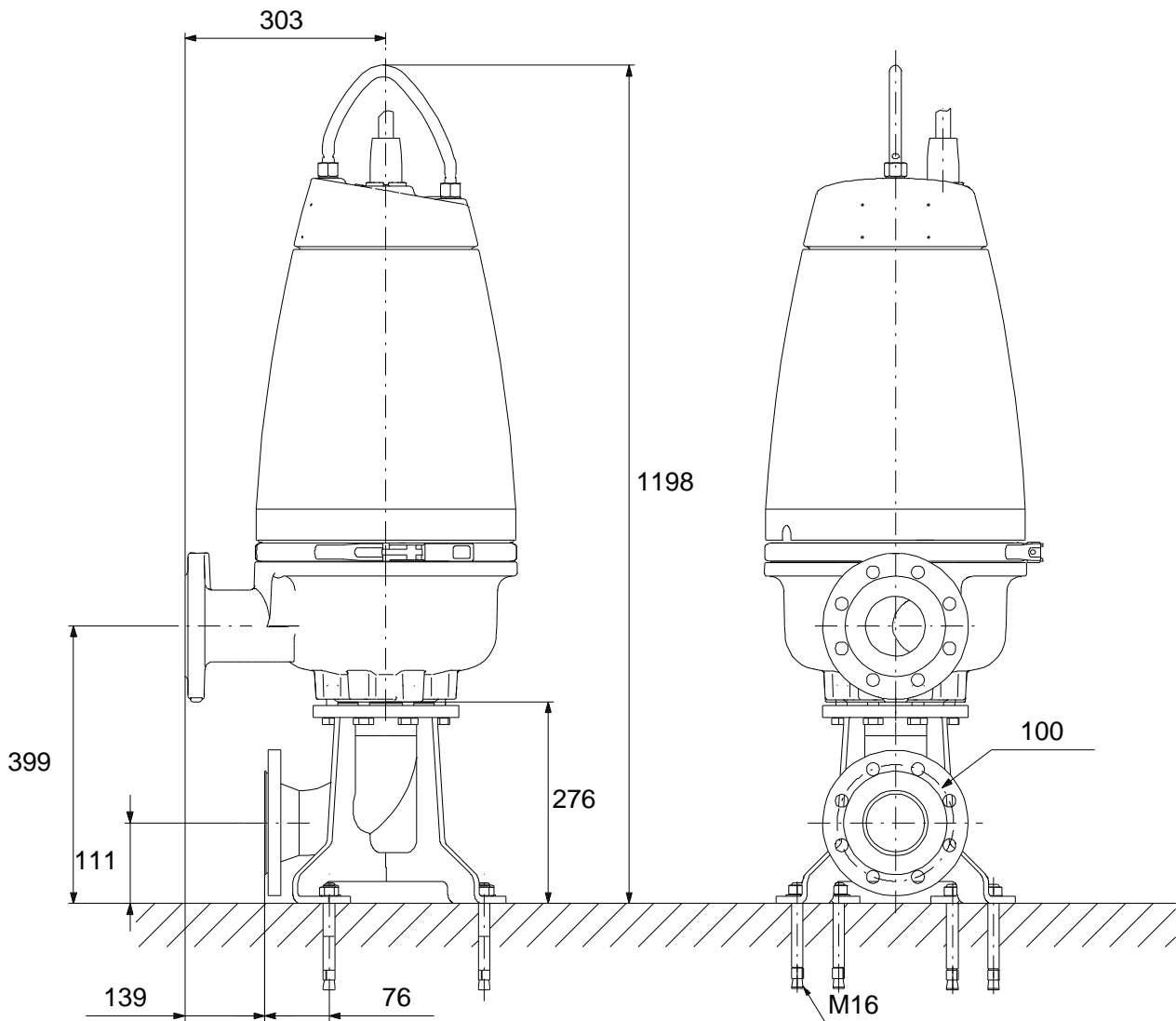
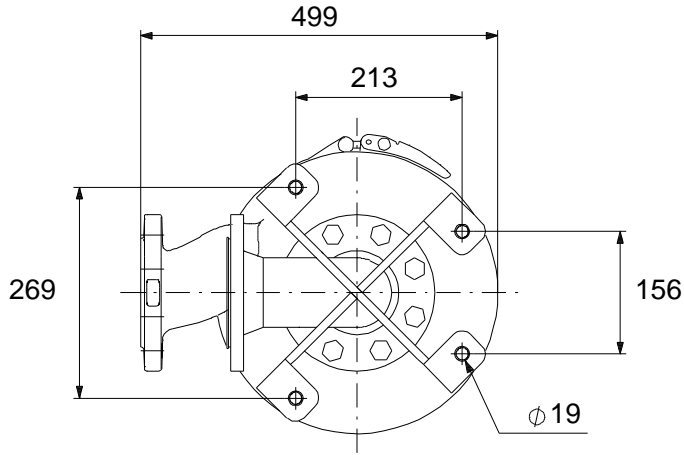
Note! All units are in [mm] unless others are stated.
Disclaimer: This simplified dimensional drawing does not show all details.

96780690 SEV.80.100.92.2.51D 50 Hz



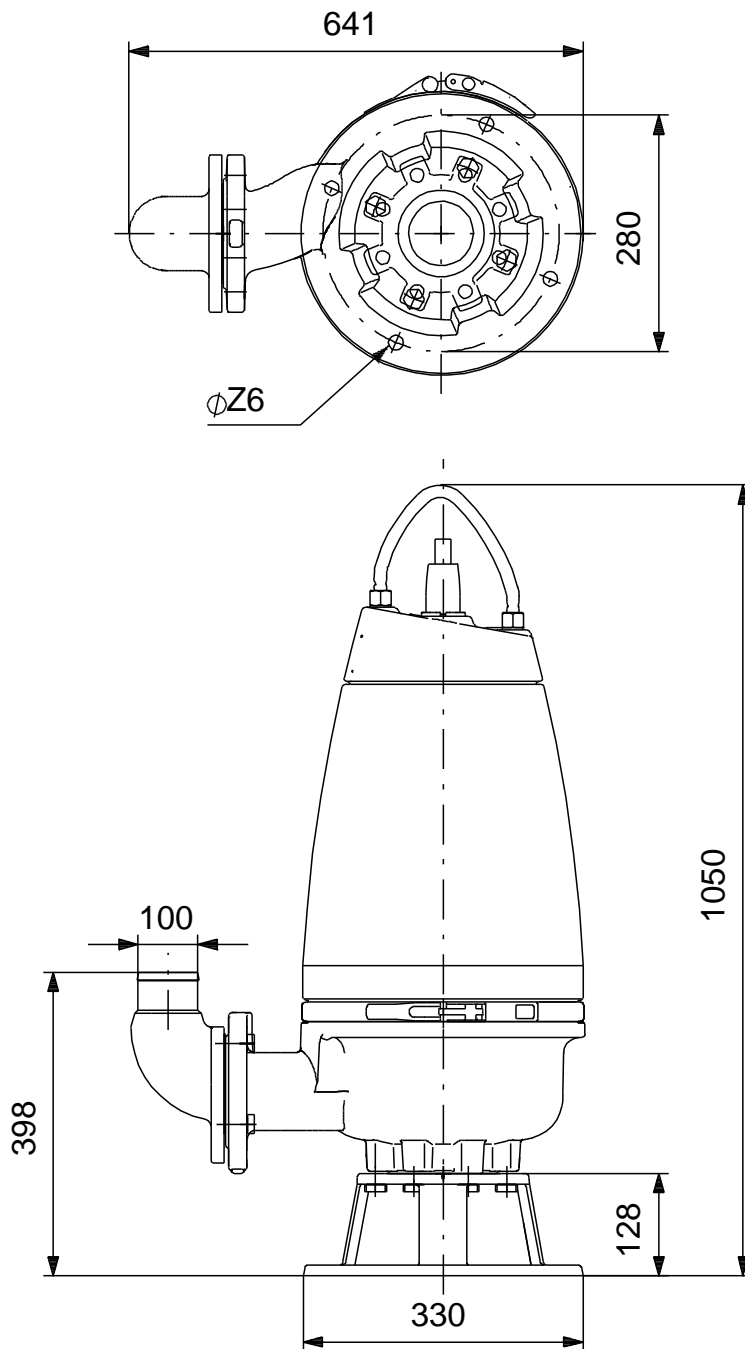
Note! All units are in [mm] unless others are stated.
Disclaimer: This simplified dimensional drawing does not show all details.

96780690 SEV.80.100.92.2.51D 50 Hz



Note! All units are in [mm] unless others are stated.
Disclaimer: This simplified dimensional drawing does not show all details.

96780690 SEV.80.100.92.2.51D 50 Hz



Note! All units are in [mm] unless others are stated.
Disclaimer: This simplified dimensional drawing does not show all details.