
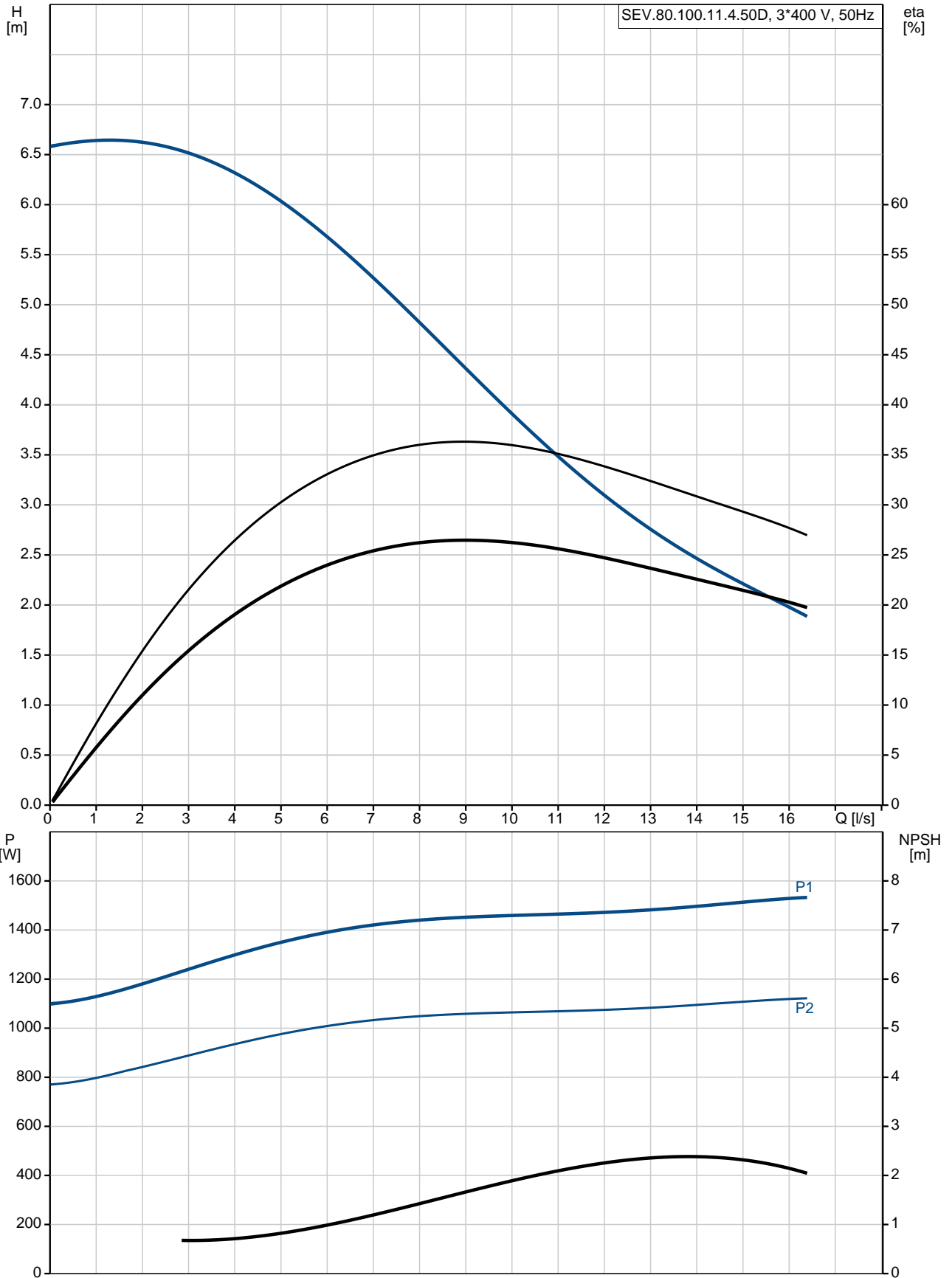


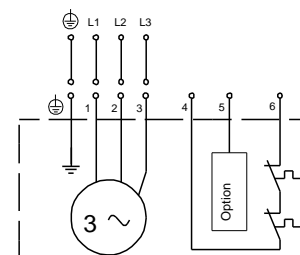
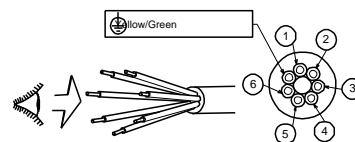
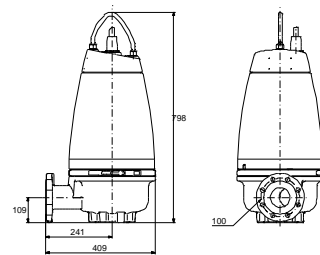
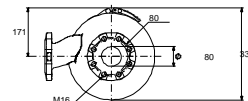
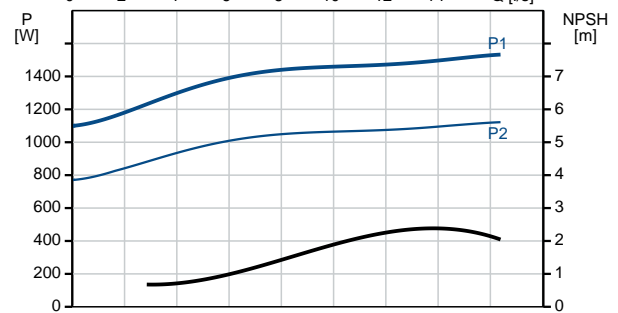
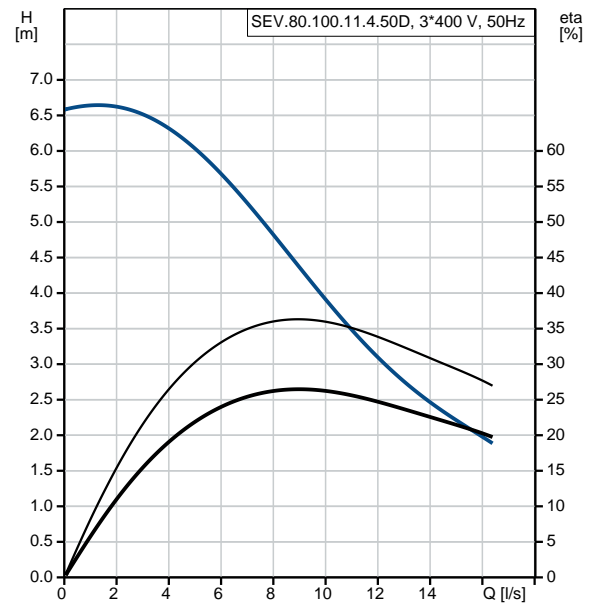
Qty.	Description																																																		
1	<p data-bbox="204 342 443 365">SEV.80.100.11.4.50D</p> <div data-bbox="228 383 560 663">  </div> <p data-bbox="595 645 1075 667">Note! Product picture may differ from actual product</p> <p data-bbox="204 678 469 701">Product No.: 96780674</p> <p data-bbox="204 734 1460 790">Non-self-priming, single-stage, centrifugal pump designed for handling wastewater, process water and unscreened raw sewage.</p> <p data-bbox="204 797 1460 898">The pump is designed for intermittent and continuous operation. The liquidless and maintenance free cooling system ensures that the pump can be used for submerged or dry installation. The efficient SuperVortex impeller provides passage of long fibres and solids up to 80 mm and is suitable for wastewater with a dry matter content of up to 5%.</p> <p data-bbox="204 909 1460 965">A unique stainless-steel clamp assembling system enables quick and easy disassembly of the pump from the motor unit for service and inspection. No special tools are required. Pipework connection is via a DIN flange.</p> <p data-bbox="204 1021 316 1043">Controls:</p> <table data-bbox="204 1055 855 1137"> <tr> <td>Moisture sensor:</td> <td>without moisture sensors</td> </tr> <tr> <td>Water-in-oil sensor:</td> <td>without water-in-oil sensor</td> </tr> <tr> <td>Temp. sensor:</td> <td>N</td> </tr> </table> <p data-bbox="204 1171 288 1193">Liquid:</p> <table data-bbox="204 1205 699 1261"> <tr> <td>Liquid temperature range:</td> <td>0 .. 40 °C</td> </tr> <tr> <td>Density:</td> <td>998.2 kg/m³</td> </tr> </table> <p data-bbox="204 1294 325 1317">Technical:</p> <table data-bbox="204 1328 810 1529"> <tr> <td>Type of impeller:</td> <td>SUPER VORTEX</td> </tr> <tr> <td>Maximum particle size:</td> <td>80 mm</td> </tr> <tr> <td>Primary shaft seal:</td> <td>SIC/SIC</td> </tr> <tr> <td>Secondary shaft seal:</td> <td>CARBON/CERAMICS</td> </tr> <tr> <td>Max. hydraulic efficiency:</td> <td>36 %</td> </tr> <tr> <td>Approvals on nameplate:</td> <td>EN12050-1</td> </tr> <tr> <td>Curve tolerance:</td> <td>ISO9906:2012 3B2</td> </tr> </table> <p data-bbox="204 1563 320 1585">Materials:</p> <table data-bbox="204 1597 810 1653"> <tr> <td>Pump housing:</td> <td>EN 1561 EN-GJL-250</td> </tr> <tr> <td>Impeller:</td> <td>Cast iron</td> </tr> </table> <p data-bbox="204 1686 341 1709">Installation:</p> <table data-bbox="204 1720 651 1888"> <tr> <td>Maximum ambient temperature:</td> <td>40 °C</td> </tr> <tr> <td>Maximum operating pressure:</td> <td>6 bar</td> </tr> <tr> <td>Flange standard:</td> <td>DIN</td> </tr> <tr> <td>Pump outlet:</td> <td>DN 100</td> </tr> <tr> <td>Pressure rating:</td> <td>PN 10</td> </tr> <tr> <td>Maximum installation depth:</td> <td>20 m</td> </tr> </table> <p data-bbox="204 1921 379 1944">Electrical data:</p> <table data-bbox="204 1955 722 2101"> <tr> <td>Power input - P1:</td> <td>1.5 kW</td> </tr> <tr> <td>Rated power - P2:</td> <td>1.1 kW</td> </tr> <tr> <td>Mains frequency:</td> <td>50 Hz</td> </tr> <tr> <td>Rated voltage:</td> <td>3 x 380-415 V</td> </tr> <tr> <td>Voltage tolerance:</td> <td>+6/-10 %</td> </tr> </table>	Moisture sensor:	without moisture sensors	Water-in-oil sensor:	without water-in-oil sensor	Temp. sensor:	N	Liquid temperature range:	0 .. 40 °C	Density:	998.2 kg/m ³	Type of impeller:	SUPER VORTEX	Maximum particle size:	80 mm	Primary shaft seal:	SIC/SIC	Secondary shaft seal:	CARBON/CERAMICS	Max. hydraulic efficiency:	36 %	Approvals on nameplate:	EN12050-1	Curve tolerance:	ISO9906:2012 3B2	Pump housing:	EN 1561 EN-GJL-250	Impeller:	Cast iron	Maximum ambient temperature:	40 °C	Maximum operating pressure:	6 bar	Flange standard:	DIN	Pump outlet:	DN 100	Pressure rating:	PN 10	Maximum installation depth:	20 m	Power input - P1:	1.5 kW	Rated power - P2:	1.1 kW	Mains frequency:	50 Hz	Rated voltage:	3 x 380-415 V	Voltage tolerance:	+6/-10 %
Moisture sensor:	without moisture sensors																																																		
Water-in-oil sensor:	without water-in-oil sensor																																																		
Temp. sensor:	N																																																		
Liquid temperature range:	0 .. 40 °C																																																		
Density:	998.2 kg/m ³																																																		
Type of impeller:	SUPER VORTEX																																																		
Maximum particle size:	80 mm																																																		
Primary shaft seal:	SIC/SIC																																																		
Secondary shaft seal:	CARBON/CERAMICS																																																		
Max. hydraulic efficiency:	36 %																																																		
Approvals on nameplate:	EN12050-1																																																		
Curve tolerance:	ISO9906:2012 3B2																																																		
Pump housing:	EN 1561 EN-GJL-250																																																		
Impeller:	Cast iron																																																		
Maximum ambient temperature:	40 °C																																																		
Maximum operating pressure:	6 bar																																																		
Flange standard:	DIN																																																		
Pump outlet:	DN 100																																																		
Pressure rating:	PN 10																																																		
Maximum installation depth:	20 m																																																		
Power input - P1:	1.5 kW																																																		
Rated power - P2:	1.1 kW																																																		
Mains frequency:	50 Hz																																																		
Rated voltage:	3 x 380-415 V																																																		
Voltage tolerance:	+6/-10 %																																																		

Qty.	Description
	Max starts per. hour: 20
	Rated current: 2.8-2.9 A
	Rated current at 3/4 load: 2.4 A
	Rated current at 1/2 load: 2.1 A
	Starting current: 13 A
	Rated current at no load: 1.9 A
	Cos phi - power factor: 0.73
	Cos phi - p.f. at no load: 0.17
	Cos phi - p.f. at 3/4 load: 0.64
	Cos phi - p.f. at 1/2 load: 0.52
	Rated speed: 1440 rpm
	Locked-rotor torque: 15 Nm
	Breakdown torque: 21 Nm
	Moment of inertia: 0.0142 kg m ²
	Motor efficiency at full load: 73.2 %
	Motor efficiency at 3/4 load: 71.2 %
	Motor efficiency at 1/2 load: 65.6 %
	Number of poles: 4
	Start. method: direct-on-line
	Enclosure class (IEC 34-5): IP68
	Insulation class (IEC 85): F
	Explosion proof: no
	Length of cable: 10 m
	Cable type: LYNIFLEX
	Type of cable plug: NO PLUG
	Others:
	Net weight: 94 kg
	Country of origin: HU
	Custom tariff no.: 84137021

96780674 SEV.80.100.11.4.50D 50 Hz



Description	Value
General information:	
Product name:	SEV.80.100.11.4.50D
Product No:	96780674
EAN number:	5700310145310
	5700310145310
Price:	2.594,00 GBP
Technical:	
Max flow:	16.4 l/s
Head max:	6.6 m
Type of impeller:	SUPER VORTEX
Maximum particle size:	80 mm
Primary shaft seal:	SIC/SIC
Secondary shaft seal:	CARBON/CERAMICS
Max. hydraulic efficiency:	36 %
Approvals on nameplate:	EN12050-1
Curve tolerance:	ISO9906:2012 3B2
Cooling jacket:	with cooling jacket
Materials:	
Pump housing:	EN 1561 EN-GJL-250
Impeller:	Cast iron
Installation:	
Maximum ambient temperature:	40 °C
Maximum operating pressure:	6 bar
Flange standard:	DIN
Pump outlet:	DN 100
Pressure rating:	PN 10
Maximum installation depth:	20 m
Inst dry/wet:	DRY/SUBMERGED
Installation:	horizontal or vertical
Liquid:	
Liquid temperature range:	0 .. 40 °C
Density:	998.2 kg/m ³
Electrical data:	
Power input - P1:	1.5 kW
Rated power - P2:	1.1 kW
Mains frequency:	50 Hz
Rated voltage:	3 x 380-415 V
Voltage tolerance:	+6/-10 %
Max starts per. hour:	20
Rated current:	2.8-2.9 A
Rated current at 3/4 load:	2.4 A
Rated current at 1/2 load:	2.1 A
Starting current:	13 A
Rated current at no load:	1.9 A
Cos phi - power factor:	0.73
Cos phi - p.f. at no load:	0.17
Cos phi - p.f. at 3/4 load:	0.64
Cos phi - p.f. at 1/2 load:	0.52
Rated speed:	1440 rpm
Locked-rotor torque:	15 Nm
Breakdown torque:	21 Nm
Moment of inertia:	0.0142 kg m ²
Motor efficiency at full load:	73.2 %
Motor efficiency at 3/4 load:	71.2 %
Motor efficiency at 1/2 load:	65.6 %
Number of poles:	4
Start. method:	direct-on-line
Enclosure class (IEC 34-5):	IP68





Company name:

Created by:

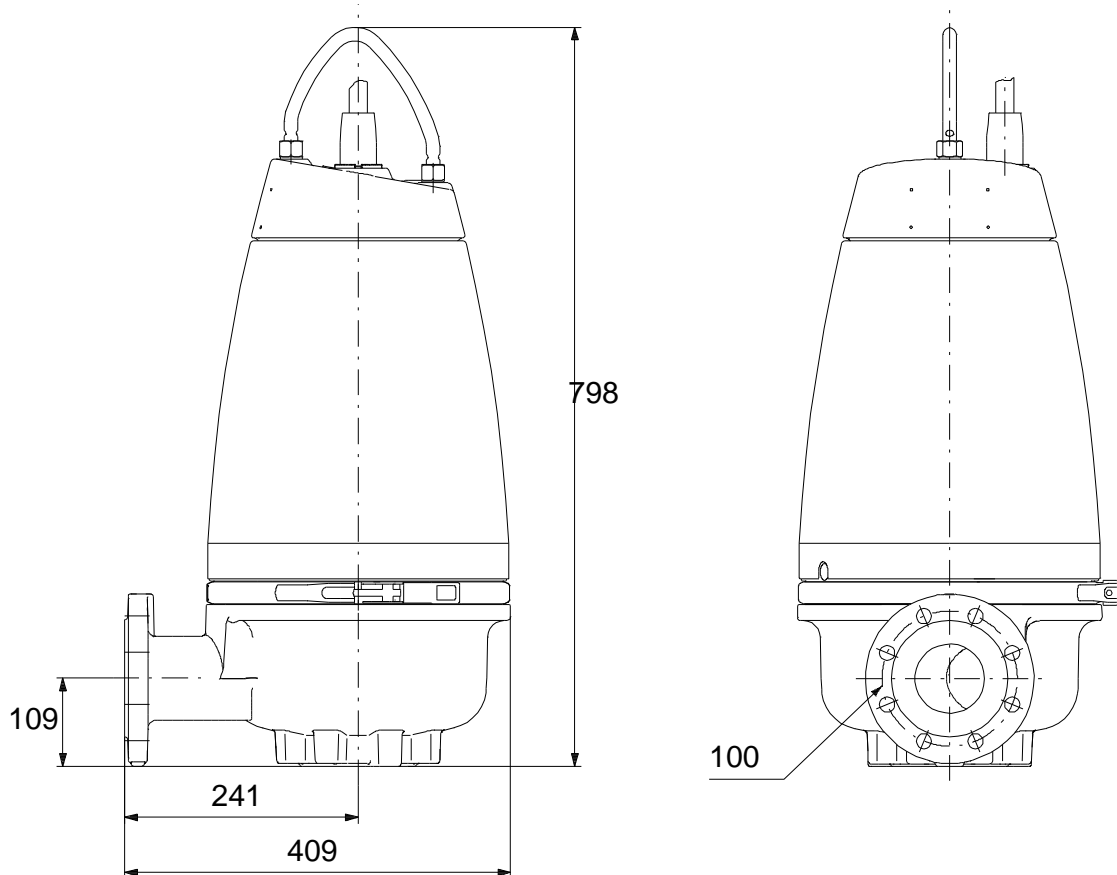
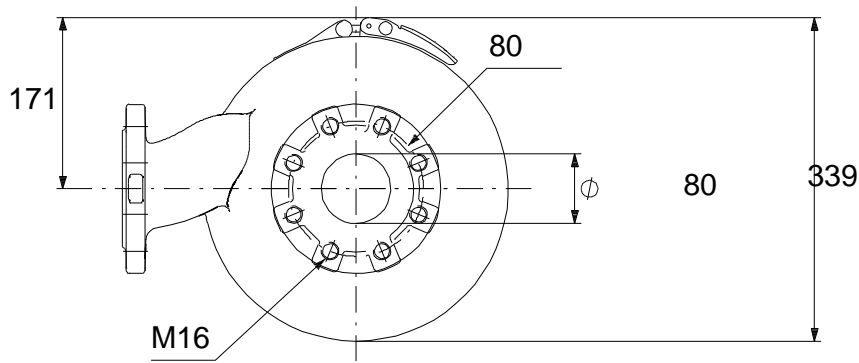
Phone:

Date:

28/01/2020

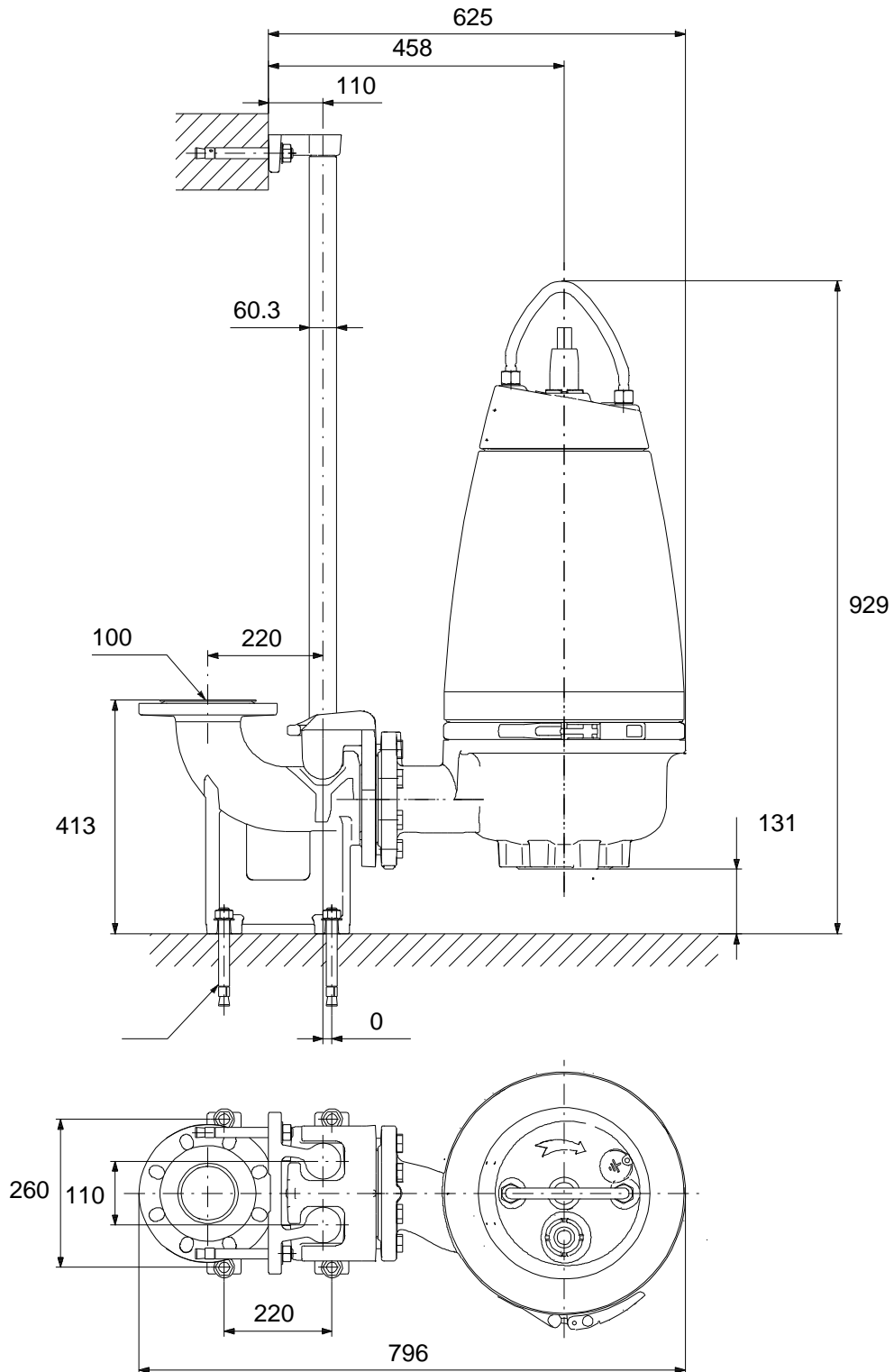
Description	Value
Insulation class (IEC 85):	F
Explosion proof:	no
Motor protec:	THERMAL SWITCH
Thermal protec:	internal
Length of cable:	10 m
Cable type:	LYNIFLEX
Type of cable plug:	NO PLUG
Controls:	
Control box:	not included
Moisture sensor:	without moisture sensors
Water-in-oil sensor:	without water-in-oil sensor
Temp. sensor:	N
Others:	
Net weight:	94 kg
Country of origin:	HU
Custom tariff no.:	84137021

96780674 SEV.80.100.11.4.50D 50 Hz



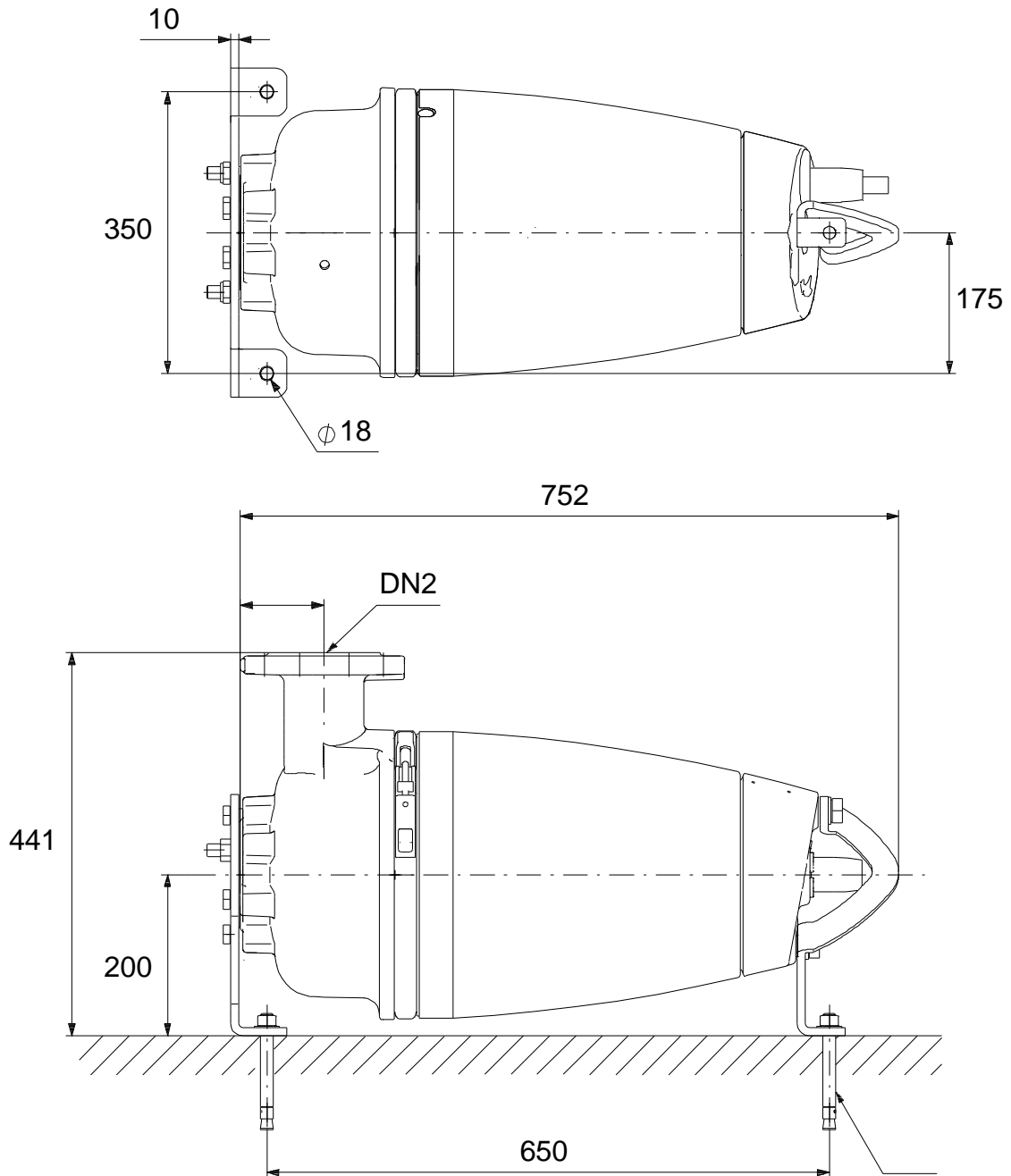
Note! All units are in [mm] unless others are stated.
Disclaimer: This simplified dimensional drawing does not show all details.

96780674 SEV.80.100.11.4.50D 50 Hz



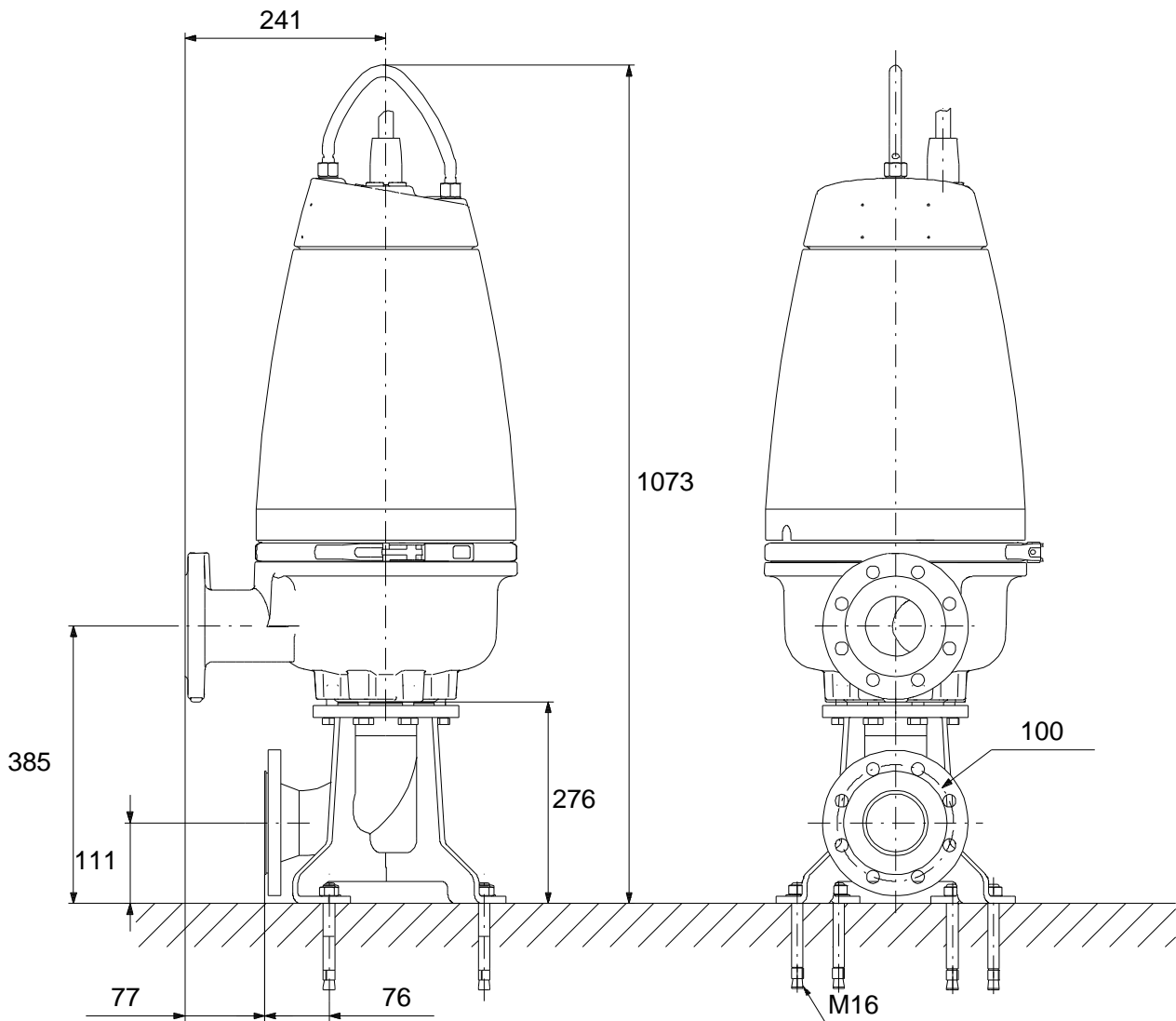
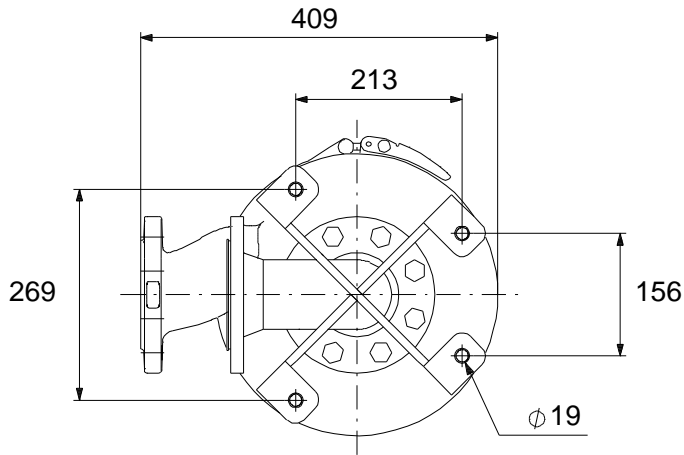
Note! All units are in [mm] unless others are stated.
Disclaimer: This simplified dimensional drawing does not show all details.

96780674 SEV.80.100.11.4.50D 50 Hz



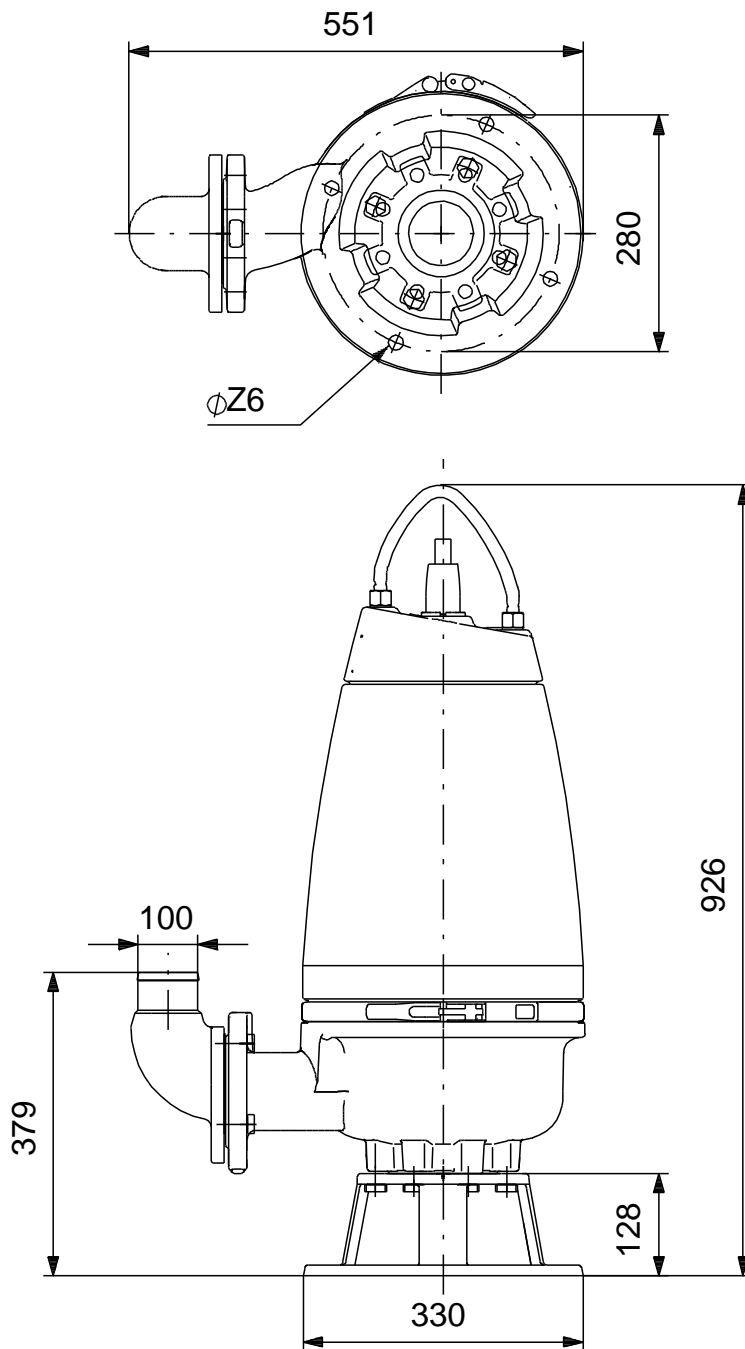
Note! All units are in [mm] unless others are stated.
Disclaimer: This simplified dimensional drawing does not show all details.

96780674 SEV.80.100.11.4.50D 50 Hz



Note! All units are in [mm] unless others are stated.
Disclaimer: This simplified dimensional drawing does not show all details.

96780674 SEV.80.100.11.4.50D 50 Hz



Note! All units are in [mm] unless others are stated.
Disclaimer: This simplified dimensional drawing does not show all details.