
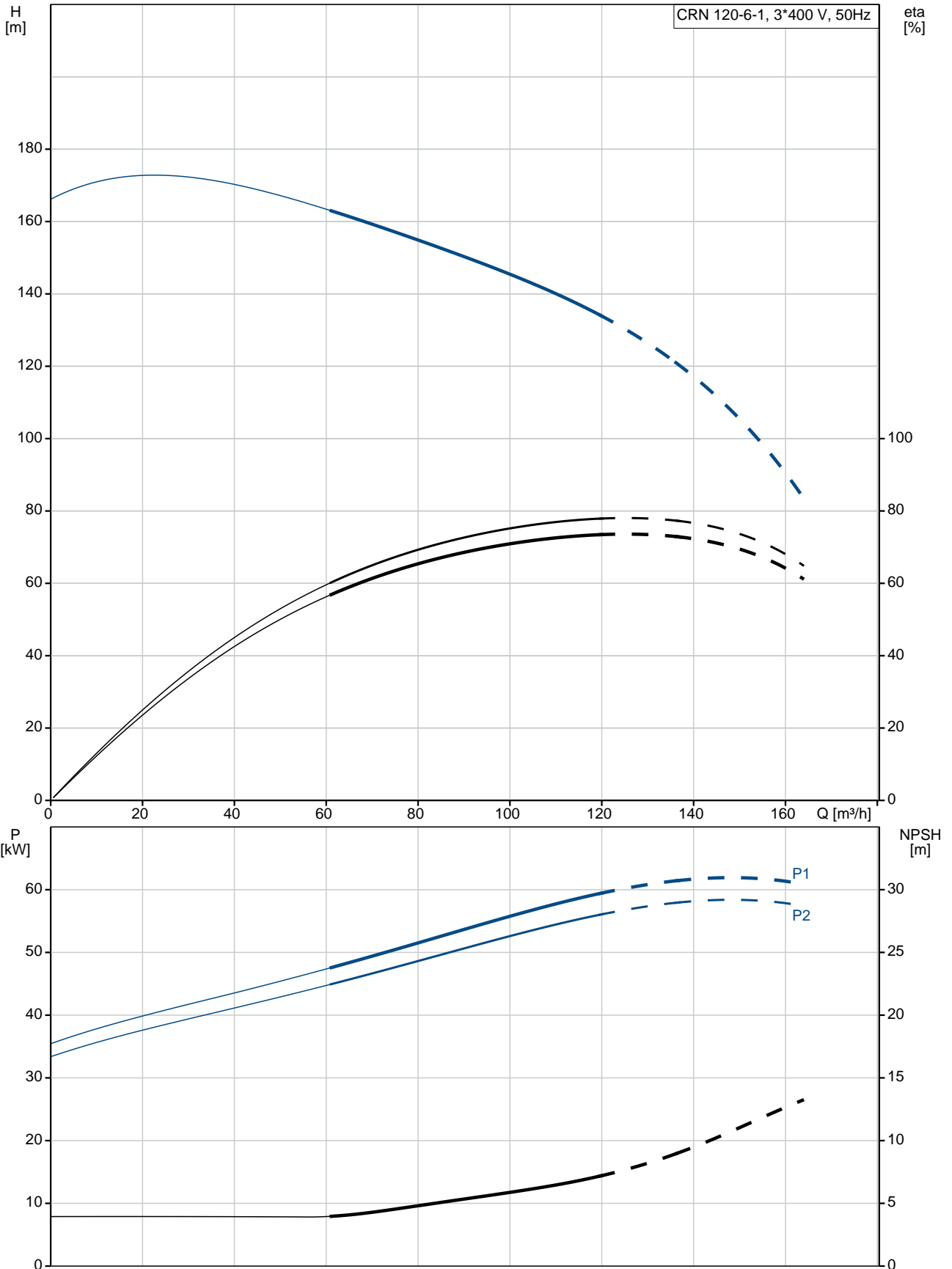


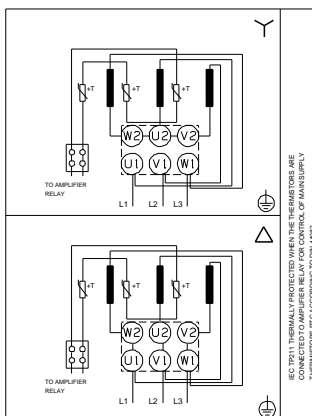
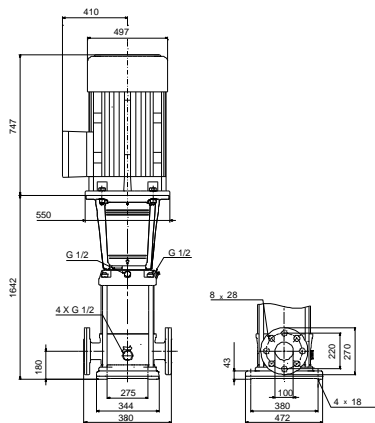
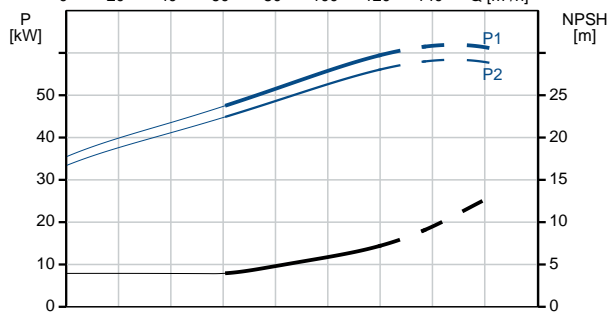
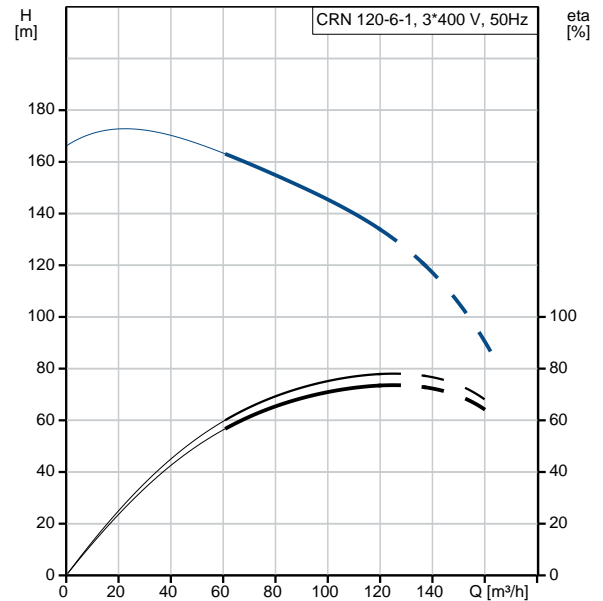
Qty.	Description
1	<p data-bbox="199 336 526 369">CRN 120-6-1 A-F-H-E-HBQE</p> <div data-bbox="343 403 486 851" style="text-align: center;">  </div> <p data-bbox="590 840 1077 873" style="text-align: center;">Note! Product picture may differ from actual product</p> <p data-bbox="199 873 470 907">Product No.: 96771683</p> <p data-bbox="199 929 1452 1041">Vertical, multistage centrifugal pump with inlet and outlet ports on same the level (inline). Pump materials in contact with the liquid are in high-grade stainless steel. A cartridge shaft seal ensures high reliability, safe handling, and easy access and service. Power transmission is via a rigid split coupling. Pipe connection is via DIN flanges.</p> <p data-bbox="199 1075 933 1108">The pump is fitted with a 3-phase, fan-cooled asynchronous motor.</p> <p data-bbox="199 1131 319 1164">Controls:</p> <p data-bbox="199 1164 638 1198">Frequency converter: NONE</p> <p data-bbox="199 1220 295 1254">Liquid:</p> <p data-bbox="199 1254 638 1288">Pumped liquid: Water</p> <p data-bbox="199 1288 686 1321">Liquid temperature range: 0 .. 120 °C</p> <p data-bbox="199 1321 686 1355">Liquid temperature during operation: 20 °C</p> <p data-bbox="199 1355 702 1388">Density: 998.2 kg/m³</p> <p data-bbox="199 1400 327 1433">Technical:</p> <p data-bbox="199 1433 821 1467">Pump speed on which pump data are based: 2974 rpm</p> <p data-bbox="199 1467 670 1500">Rated flow: 120 m³/h</p> <p data-bbox="199 1500 662 1534">Rated head: 127.1 m</p> <p data-bbox="199 1534 654 1568">Pump orientation: Vertical</p> <p data-bbox="199 1568 638 1601">Shaft seal arrangement: Single</p> <p data-bbox="199 1601 638 1635">Code for shaft seal: HBQE</p> <p data-bbox="199 1635 726 1668">Approvals on nameplate: CE, EAC,ACS</p> <p data-bbox="199 1668 766 1702">Curve tolerance: ISO9906:2012 3B</p> <p data-bbox="199 1713 327 1747">Materials:</p> <p data-bbox="199 1747 726 1825">Base: Stainless steel EN 1.4408 AISI 316</p> <p data-bbox="199 1825 726 1915">Impeller: Stainless steel EN 1.4401 AISI 316</p> <p data-bbox="199 1915 614 1948">Bearing: SIC</p> <p data-bbox="199 1948 646 1982">Support bearing: Graflon</p> <p data-bbox="199 2004 343 2038">Installation:</p> <p data-bbox="199 2038 630 2072">Maximum ambient temperature: 55 °C</p> <p data-bbox="199 2072 638 2105">Maximum operating pressure: 30 bar</p>

Qty.	Description
	<p>Max pressure at stated temp: 30 bar / 120 °C 30 bar / 0 °C</p> <p>Type of connection: DIN</p> <p>Size of inlet connection: DN 125</p> <p>Size of outlet connection: DN 125</p> <p>Pressure rating for pipe connection: PN 40</p> <p>Flange size for motor: FF500</p> <p>Electrical data:</p> <p>Motor standard: IEC</p> <p>Motor type: SIEMENS</p> <p>IE Efficiency class: IE3</p> <p>Rated power - P2: 55 kW</p> <p>Power (P2) required by pump: 55 kW</p> <p>Mains frequency: 50 Hz</p> <p>Rated voltage: 3 x 380-420D/660-725Y V</p> <p>Rated current: 99,0-90,0/57,0-52,0 A</p> <p>Starting current: 670-670 %</p> <p>Cos phi - power factor: 0.89</p> <p>Rated speed: 2975 rpm</p> <p>Efficiency: IE3 94,3%</p> <p>Motor efficiency at full load: 94.3-94.3 %</p> <p>Motor efficiency at 3/4 load: 94.5-94.5 %</p> <p>Motor efficiency at 1/2 load: 93.9-93.9 %</p> <p>Number of poles: 2</p> <p>Enclosure class (IEC 34-5): 55 Dust/Jetting</p> <p>Insulation class (IEC 85): F</p> <p>Others:</p> <p>Minimum efficiency index, MEI η_{min}: 0.70</p> <p>Net weight: 626 kg</p> <p>Gross weight: 784 kg</p> <p>Shipping volume: 2.13 m³</p>

96771683 CRN 120-6-1 A-F-H-E-HBQE 50 Hz



Description	Value
General information:	
Product name:	CRN 120-6-1 A-F-H-E-HBQE
Product No:	96771683
EAN number:	5700839098753
Technical:	
Pump speed on which pump data are based:	2974 rpm
Rated flow:	120 m ³ /h
Rated head:	127.1 m
Head max:	163.9 m
Stages:	6
Impellers:	6
Number of reduced-diameter impellers:	1
Low NPSH:	N
Pump orientation:	Vertical
Shaft seal arrangement:	Single
Code for shaft seal:	HBQE
Approvals on nameplate:	CE, EAC, ACS
Curve tolerance:	ISO9906:2012 3B
Pump version:	A
Model:	A
Materials:	
Base:	Stainless steel EN 1.4408 AISI 316
Impeller:	Stainless steel EN 1.4401 AISI 316
Material code:	H
Code for rubber:	E
Bearing:	SIC
Support bearing:	Graflon
Installation:	
Maximum ambient temperature:	55 °C
Maximum operating pressure:	30 bar
Max pressure at stated temp:	30 bar / 120 °C 30 bar / 0 °C
Type of connection:	DIN
Size of inlet connection:	DN 125
Size of outlet connection:	DN 125
Pressure rating for pipe connection:	PN 40
Flange size for motor:	FF500
Connect code:	F
Liquid:	
Pumped liquid:	Water
Liquid temperature range:	0 .. 120 °C
Liquid temperature during operation:	20 °C
Density:	998.2 kg/m ³
Electrical data:	
Motor standard:	IEC
Motor type:	SIEMENS
IE Efficiency class:	IE3
Rated power - P2:	55 kW
Power (P2) required by pump:	55 kW
Mains frequency:	50 Hz
Rated voltage:	3 x 380-420D/660-725Y V
Rated current:	99,0-90,0/57,0-52,0 A





Company name:

Created by:

Phone:

Date:

12/03/2019

Description	Value
Starting current:	670-670 %
Cos phi - power factor:	0.89
Rated speed:	2975 rpm
Efficiency:	IE3 94,3%
Motor efficiency at full load:	94.3-94.3 %
Motor efficiency at 3/4 load:	94.5-94.5 %
Motor efficiency at 1/2 load:	93.9-93.9 %
Number of poles:	2
Enclosure class (IEC 34-5):	55 Dust/Jetting
Insulation class (IEC 85):	F
Motor protec:	PTC
Motor No:	81U15338
Controls:	
Frequency converter:	NONE
Others:	
Minimum efficiency index, MEI %:	0.70
Net weight:	626 kg
Gross weight:	784 kg
Shipping volume:	2.13 m ³
Sales region:	Great Britain