
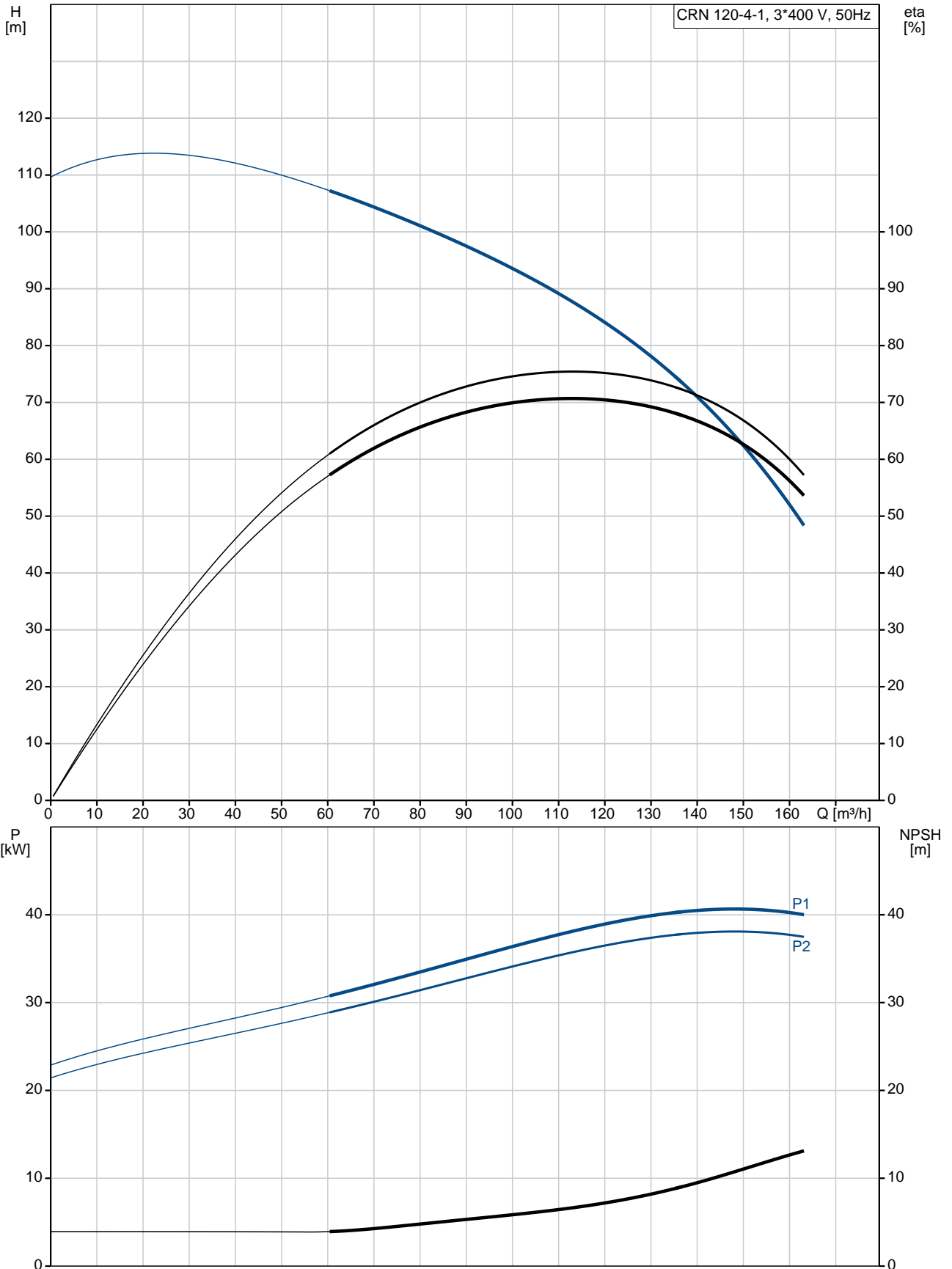


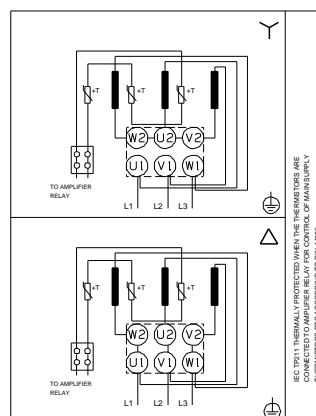
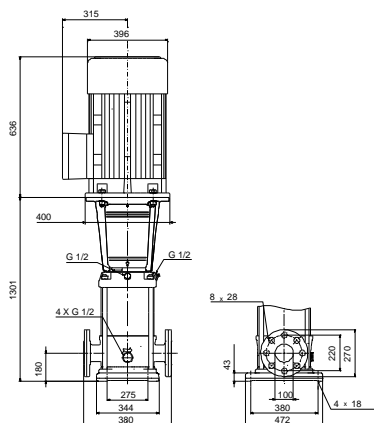
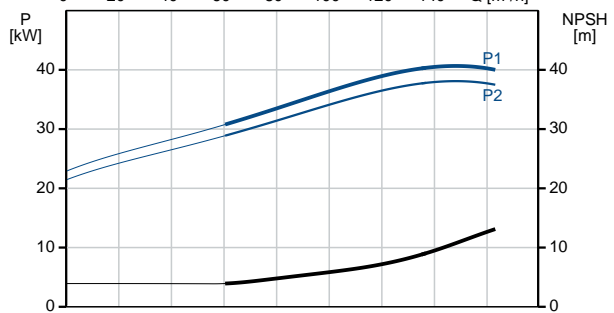
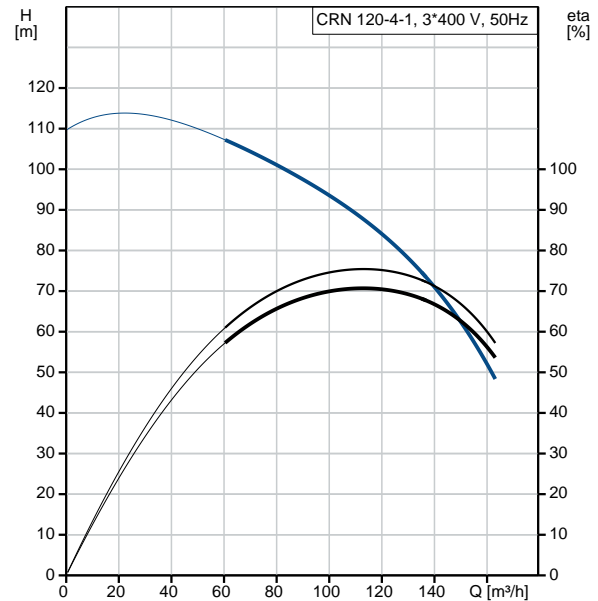
| Qty. | Description  |
|------|--|
| 1    | <p data-bbox="199 338 531 367"><b>CRN 120-4-1 A-F-H-E-HQQE</b></p> <div data-bbox="343 405 486 853" style="text-align: center;">  </div> <p data-bbox="592 846 1077 873" style="text-align: center;">Note! Product picture may differ from actual product</p> <p data-bbox="199 880 469 907">Product No.: <a href="#">96771680</a></p> <p data-bbox="199 938 1452 1041">Vertical, multistage centrifugal pump with inlet and outlet ports on same the level (inline). Pump materials in contact with the liquid are in high-grade stainless steel. A cartridge shaft seal ensures high reliability, safe handling, and easy access and service. Power transmission is via a rigid split coupling. Pipe connection is via DIN flanges.</p> <p data-bbox="199 1081 935 1108">The pump is fitted with a 3-phase, fan-cooled asynchronous motor.</p> <p data-bbox="199 1140 316 1167"><b>Controls:</b></p> <p data-bbox="199 1169 638 1196">Frequency converter: NONE</p> <p data-bbox="199 1229 288 1256"><b>Liquid:</b></p> <p data-bbox="199 1258 707 1377">Pumped liquid: Water<br/> Liquid temperature range: -40 .. 120 °C<br/> Liquid temperature during operation: 20 °C<br/> Density: 998.2 kg/m<sup>3</sup></p> <p data-bbox="199 1408 327 1435"><b>Technical:</b></p> <p data-bbox="199 1438 821 1675">Pump speed on which pump data are based: 2957 rpm<br/> Rated flow: 120 m<sup>3</sup>/h<br/> Rated head: 82.4 m<br/> Pump orientation: Vertical<br/> Shaft seal arrangement: Single<br/> Code for shaft seal: HQQE<br/> Approvals on nameplate: CE, EAC,ACS<br/> Curve tolerance: ISO9906:2012 3B</p> <p data-bbox="199 1706 320 1733"><b>Materials:</b></p> <p data-bbox="199 1736 727 1973">Base: Stainless steel<br/> EN 1.4408<br/> AISI 316<br/> Impeller: Stainless steel<br/> EN 1.4401<br/> AISI 316<br/> Bearing: SIC<br/> Support bearing: Graflon</p> <p data-bbox="199 2004 343 2031"><b>Installation:</b></p> <p data-bbox="199 2033 638 2092">Maximum ambient temperature: 55 °C<br/> Maximum operating pressure: 30 bar</p> |

| Qty. | Description   |
|------|---|
|      | <p>Max pressure at stated temp: 30 bar / 120 °C<br/>30 bar / -40 °C</p> <p>Type of connection: DIN</p> <p>Size of inlet connection: DN 125</p> <p>Size of outlet connection: DN 125</p> <p>Pressure rating for pipe connection: PN 40</p> <p>Flange size for motor: FF350</p> <p><b>Electrical data:</b></p> <p>Motor standard: IEC</p> <p>Motor type: SIEMENS</p> <p>IE Efficiency class: IE3</p> <p>Rated power - P2: 37 kW</p> <p>Power (P2) required by pump: 37 kW</p> <p>Mains frequency: 50 Hz</p> <p>Rated voltage: 3 x 380-420D/660-725Y V</p> <p>Rated current: 68,0-63,0/39,0-36,0 A</p> <p>Starting current: 670-670 %</p> <p>Cos phi - power factor: 0.88</p> <p>Rated speed: 2955 rpm</p> <p>Efficiency: IE3 93,7%</p> <p>Motor efficiency at full load: 93.7-93.7 %</p> <p>Motor efficiency at 3/4 load: 93.9-93.9 %</p> <p>Motor efficiency at 1/2 load: 93.5-93.5 %</p> <p>Number of poles: 2</p> <p>Enclosure class (IEC 34-5): 55 Dust/Jetting</p> <p>Insulation class (IEC 85): F</p> <p><b>Others:</b></p> <p>Minimum efficiency index, MEI <math>\eta_{min}</math>: 0.70</p> <p>Net weight: 391 kg</p> <p>Gross weight: 468 kg</p> <p>Shipping volume: 1.32 m<sup>3</sup></p> |

## 96771680 CRN 120-4-1 A-F-H-E-HQQE 50 Hz



| Description                              | Value                                    |
|--|--|
| <b>General information:</b>              |  |
| Product name:                            | CRN 120-4-1<br>A-F-H-E-HQQE              |
| Product No:                              | 96771680                                 |
| EAN number:                              | 5700839098739                            |
| <b>Technical:</b>                        |  |
| Pump speed on which pump data are based: | 2957 rpm                                 |
| Rated flow:                              | 120 m <sup>3</sup> /h                    |
| Rated head:                              | 82.4 m                                   |
| Head max:                                | 108.1 m                                  |
| Stages:                                  | 4  |
| Impellers:                               | 4  |
| Number of reduced-diameter impellers:    | 1  |
| Low NPSH:                                | N  |
| Pump orientation:                        | Vertical                                 |
| Shaft seal arrangement:                  | Single                                   |
| Code for shaft seal:                     | HQQE                                     |
| Approvals on nameplate:                  | CE, EAC, ACS                             |
| Curve tolerance:                         | ISO9906:2012 3B                          |
| Pump version:                            | A  |
| Model:                                   | A  |
| <b>Materials:</b>                        |  |
| Base:                                    | Stainless steel<br>EN 1.4408<br>AISI 316 |
| Impeller:                                | Stainless steel<br>EN 1.4401<br>AISI 316 |
| Material code:                           | H  |
| Code for rubber:                         | E  |
| Bearing:                                 | SIC                                      |
| Support bearing:                         | Graflon                                  |
| <b>Installation:</b>                     |  |
| Maximum ambient temperature:             | 55 °C                                    |
| Maximum operating pressure:              | 30 bar                                   |
| Max pressure at stated temp:             | 30 bar / 120 °C<br>30 bar / -40 °C       |
| Type of connection:                      | DIN                                      |
| Size of inlet connection:                | DN 125                                   |
| Size of outlet connection:               | DN 125                                   |
| Pressure rating for pipe connection:     | PN 40                                    |
| Flange size for motor:                   | FF350                                    |
| Connect code:                            | F  |
| <b>Liquid:</b>                           |  |
| Pumped liquid:                           | Water                                    |
| Liquid temperature range:                | -40 .. 120 °C                            |
| Liquid temperature during operation:     | 20 °C                                    |
| Density:                                 | 998.2 kg/m <sup>3</sup>                  |
| <b>Electrical data:</b>                  |  |
| Motor standard:                          | IEC                                      |
| Motor type:                              | SIEMENS                                  |
| IE Efficiency class:                     | IE3                                      |
| Rated power - P2:                        | 37 kW                                    |
| Power (P2) required by pump:             | 37 kW                                    |
| Mains frequency:                         | 50 Hz                                    |
| Rated voltage:                           | 3 x 380-420D/660-725Y<br>V               |
| Rated current:                           | 68,0-63,0/39,0-36,0 A                    |





Company name:

Created by:

Phone:

Date:

12/03/2019

| Description                      | Value               |
|----------------------------------|---------------------|
| Starting current:                | 670-670 %           |
| Cos phi - power factor:          | 0.88                |
| Rated speed:                     | 2955 rpm            |
| Efficiency:                      | IE3 93,7%           |
| Motor efficiency at full load:   | 93.7-93.7 %         |
| Motor efficiency at 3/4 load:    | 93.9-93.9 %         |
| Motor efficiency at 1/2 load:    | 93.5-93.5 %         |
| Number of poles:                 | 2                   |
| Enclosure class (IEC 34-5):      | 55 Dust/Jetting     |
| Insulation class (IEC 85):       | F                   |
| Motor protec:                    | PTC                 |
| Motor No:                        | 81U15334            |
| <b>Controls:</b>                 |                     |
| Frequency converter:             | NONE                |
| <b>Others:</b>                   |                     |
| Minimum efficiency index, MEI %: | 0.70                |
| Net weight:                      | 391 kg              |
| Gross weight:                    | 468 kg              |
| Shipping volume:                 | 1.32 m <sup>3</sup> |
| Sales region:                    | Great Britain       |