
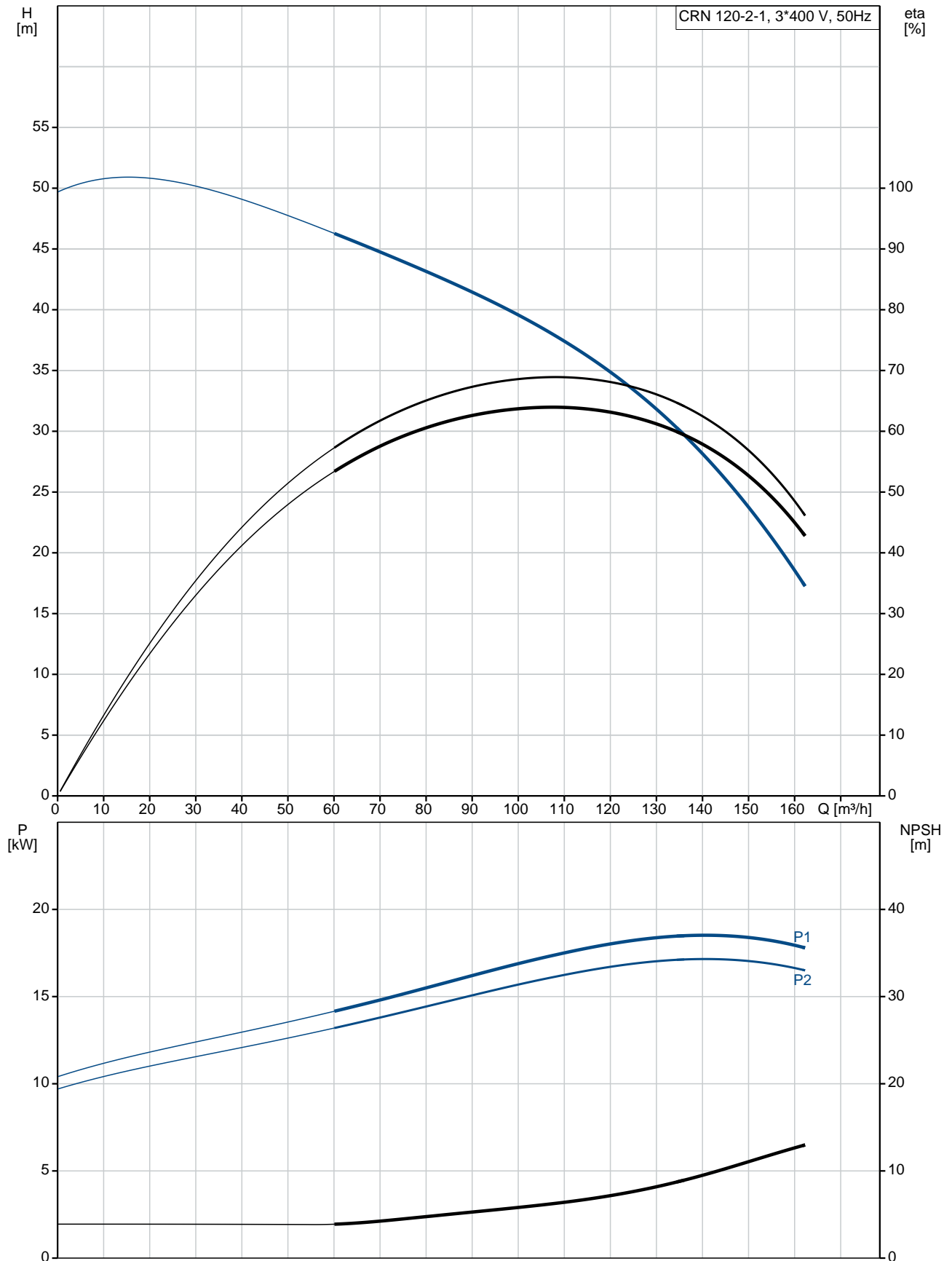


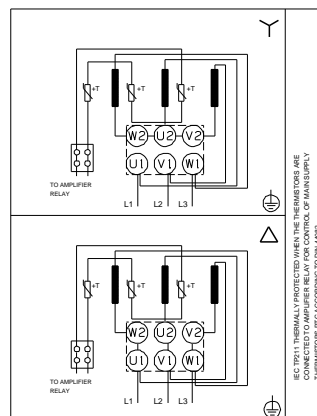
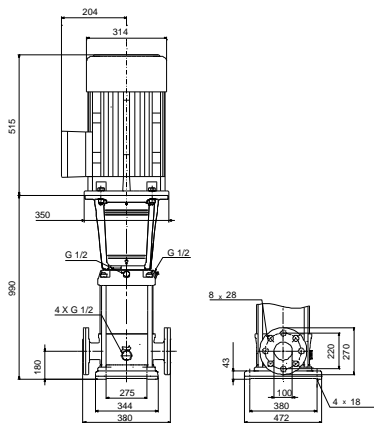
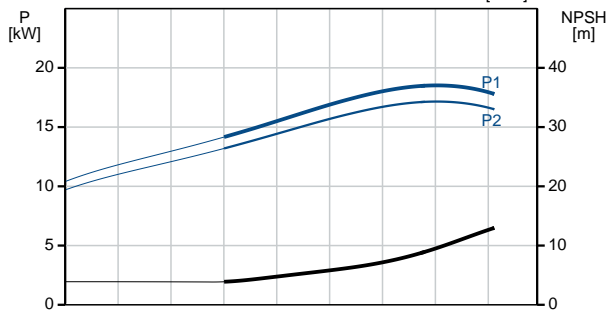
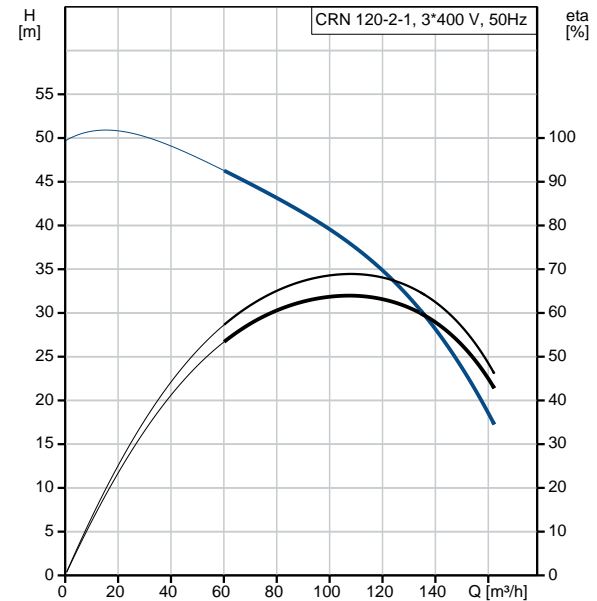
Qty.	Description
1	<p data-bbox="199 338 531 367"><b>CRN 120-2-1 A-F-H-E-HQQE</b></p> <div data-bbox="343 405 486 853" style="text-align: center;">  </div> <p data-bbox="592 846 1075 873" style="text-align: center;">Note! Product picture may differ from actual product</p> <p data-bbox="199 880 469 907">Product No.: <a href="#">96771675</a></p> <p data-bbox="199 938 1452 1041">Vertical, multistage centrifugal pump with inlet and outlet ports on same the level (inline). Pump materials in contact with the liquid are in high-grade stainless steel. A cartridge shaft seal ensures high reliability, safe handling, and easy access and service. Power transmission is via a rigid split coupling. Pipe connection is via DIN flanges.</p> <p data-bbox="199 1081 935 1108">The pump is fitted with a 3-phase, fan-cooled asynchronous motor.</p> <p data-bbox="199 1140 316 1167"><b>Controls:</b></p> <p data-bbox="199 1169 638 1196">Frequency converter: NONE</p> <p data-bbox="199 1229 288 1256"><b>Liquid:</b></p> <p data-bbox="199 1258 635 1285">Pumped liquid: Water</p> <p data-bbox="199 1288 707 1314">Liquid temperature range: -40 .. 120 °C</p> <p data-bbox="199 1317 687 1344">Liquid temperature during operation: 20 °C</p> <p data-bbox="199 1346 699 1373">Density: 998.2 kg/m<sup>3</sup></p> <p data-bbox="199 1406 328 1433"><b>Technical:</b></p> <p data-bbox="199 1435 820 1462">Pump speed on which pump data are based: 2934 rpm</p> <p data-bbox="199 1464 667 1491">Rated flow: 120 m<sup>3</sup>/h</p> <p data-bbox="199 1494 644 1520">Rated head: 36.4 m</p> <p data-bbox="199 1523 651 1550">Pump orientation: Vertical</p> <p data-bbox="199 1552 636 1579">Shaft seal arrangement: Single</p> <p data-bbox="199 1581 639 1608">Code for shaft seal: HQQE</p> <p data-bbox="199 1610 724 1637">Approvals on nameplate: CE, EAC,ACS</p> <p data-bbox="199 1639 764 1666">Curve tolerance: ISO9906:2012 3B</p> <p data-bbox="199 1702 320 1729"><b>Materials:</b></p> <p data-bbox="199 1731 727 1816">Base: Stainless steel EN 1.4408 AISI 316</p> <p data-bbox="199 1818 727 1904">Impeller: Stainless steel EN 1.4401 AISI 316</p> <p data-bbox="199 1906 608 1933">Bearing: SIC</p> <p data-bbox="199 1935 647 1962">Support bearing: Graflon</p> <p data-bbox="199 1998 344 2024"><b>Installation:</b></p> <p data-bbox="199 2027 632 2054">Maximum ambient temperature: 60 °C</p> <p data-bbox="199 2056 638 2083">Maximum operating pressure: 30 bar</p>

Qty.	Description
	<p>Max pressure at stated temp: 30 bar / 120 °C 30 bar / -40 °C</p> <p>Type of connection: DIN</p> <p>Size of inlet connection: DN 125</p> <p>Size of outlet connection: DN 125</p> <p>Pressure rating for pipe connection: PN 40</p> <p>Flange size for motor: FF300</p> <p><b>Electrical data:</b></p> <p>Motor standard: IEC</p> <p>Motor type: 160LB</p> <p>IE Efficiency class: IE3</p> <p>Rated power - P2: 18.5 kW</p> <p>Power (P2) required by pump: 18.5 kW</p> <p>Mains frequency: 50 Hz</p> <p>Rated voltage: 3 x 380-415D/660-690Y V</p> <p>Rated current: 34,5-32,5/20,0-18,8 A</p> <p>Starting current: 830-980 %</p> <p>Cos phi - power factor: 0.89-0.85</p> <p>Rated speed: 2940-2950 rpm</p> <p>Efficiency: IE3 92,4%</p> <p>Motor efficiency at full load: 92.4-92.4 %</p> <p>Motor efficiency at 3/4 load: 93.2 %</p> <p>Motor efficiency at 1/2 load: 93.2 %</p> <p>Number of poles: 2</p> <p>Enclosure class (IEC 34-5): 55 Dust/Jetting</p> <p>Insulation class (IEC 85): F</p> <p><b>Others:</b></p> <p>Minimum efficiency index, MEI <math>\eta_{min}</math>: 0.70</p> <p>Net weight: 229 kg</p> <p>Gross weight: 290 kg</p> <p>Shipping volume: 1.02 m<sup>3</sup></p>

## 96771675 CRN 120-2-1 A-F-H-E-HQQE 50 Hz



Description	Value
<b>General information:</b>	
Product name:	CRN 120-2-1 A-F-H-E-HQQE
Product No:	96771675
EAN number:	5700839098708
<b>Technical:</b>	
Pump speed on which pump data are based:	2934 rpm
Rated flow:	120 m <sup>3</sup> /h
Rated head:	36.4 m
Head max:	50.4 m
Stages:	2
Impellers:	2
Number of reduced-diameter impellers:	1
Low NPSH:	N
Pump orientation:	Vertical
Shaft seal arrangement:	Single
Code for shaft seal:	HQQE
Approvals on nameplate:	CE, EAC, ACS
Curve tolerance:	ISO9906:2012 3B
Pump version:	A
Model:	A
<b>Materials:</b>	
Base:	Stainless steel EN 1.4408 AISI 316
Impeller:	Stainless steel EN 1.4401 AISI 316
Material code:	H
Code for rubber:	E
Bearing:	SIC
Support bearing:	Graflon
<b>Installation:</b>	
Maximum ambient temperature:	60 °C
Maximum operating pressure:	30 bar
Max pressure at stated temp:	30 bar / 120 °C 30 bar / -40 °C
Type of connection:	DIN
Size of inlet connection:	DN 125
Size of outlet connection:	DN 125
Pressure rating for pipe connection:	PN 40
Flange size for motor:	FF300
Connect code:	F
<b>Liquid:</b>	
Pumped liquid:	Water
Liquid temperature range:	-40 .. 120 °C
Liquid temperature during operation:	20 °C
Density:	998.2 kg/m <sup>3</sup>
<b>Electrical data:</b>	
Motor standard:	IEC
Motor type:	160LB
IE Efficiency class:	IE3
Rated power - P2:	18.5 kW
Power (P2) required by pump:	18.5 kW
Mains frequency:	50 Hz
Rated voltage:	3 x 380-415D/660-690Y V
Rated current:	34,5-32,5/20,0-18,8 A





Company name:

Created by:

Phone:

Date:

12/03/2019

Description	Value
Starting current:	830-980 %
Cos phi - power factor:	0.89-0.85
Rated speed:	2940-2950 rpm
Efficiency:	IE3 92,4%
Motor efficiency at full load:	92.4-92.4 %
Motor efficiency at 3/4 load:	93.2 %
Motor efficiency at 1/2 load:	93.2 %
Number of poles:	2
Enclosure class (IEC 34-5):	55 Dust/Jetting
Insulation class (IEC 85):	F
Motor protec:	PTC
Motor No:	85U17528
<b>Controls:</b>	
Frequency converter:	NONE
<b>Others:</b>	
Minimum efficiency index, MEI %:	0.70
Net weight:	229 kg
Gross weight:	290 kg
Shipping volume:	1.02 m <sup>3</sup>
Sales region:	Great Britain