

**Qty. Description**

1 CRN 64-1 A-F-H-E-HQQE



Product No.: [96536484](#)

Vertical, multistage centrifugal pump with inlet and outlet ports on same the level (inline). Pump materials in contact with the liquid are in high-grade stainless steel. A cartridge shaft seal ensures high reliability, safe handling, and easy access and service. Power transmission is via a rigid split coupling. Pipe connection is via DIN flanges.

The pump is fitted with a 3-phase, fan-cooled asynchronous motor.

**Controls:**

Frequency converter: NONE

**Liquid:**

Pumped liquid: Water  
 Liquid temperature range: -40 .. 120 °C  
 Liquid temperature during operation: 20 °C  
 Density: 998.2 kg/m<sup>3</sup>

**Technical:**

Pump speed on which pump data are based: 2919 rpm  
 Rated flow: 64 m<sup>3</sup>/h  
 Rated head: 21.1 m  
 Pump orientation: Vertical  
 Shaft seal arrangement: Single  
 Code for shaft seal: HQQE  
 Approvals on nameplate: CE, EAC, ACS  
 Curve tolerance: ISO9906:2012 3B

**Materials:**

Base: Stainless steel  
 EN 1.4408  
 AISI 316  
 Impeller: Stainless steel  
 EN 1.4401  
 AISI 316  
 Bearing: SIC  
 Support bearing: Graflon

**Installation:**

Maximum ambient temperature: 60 °C  
 Maximum operating pressure: 16 bar  
 Max pressure at stated temp: 16 bar / 120 °C  
 16 bar / -40 °C  
 Type of connection: DIN  
 Size of inlet connection: DN 100  
 Size of outlet connection: DN 100  
 Pressure rating for pipe connection: PN 16  
 Flange size for motor: FF265

**Qty. Description**

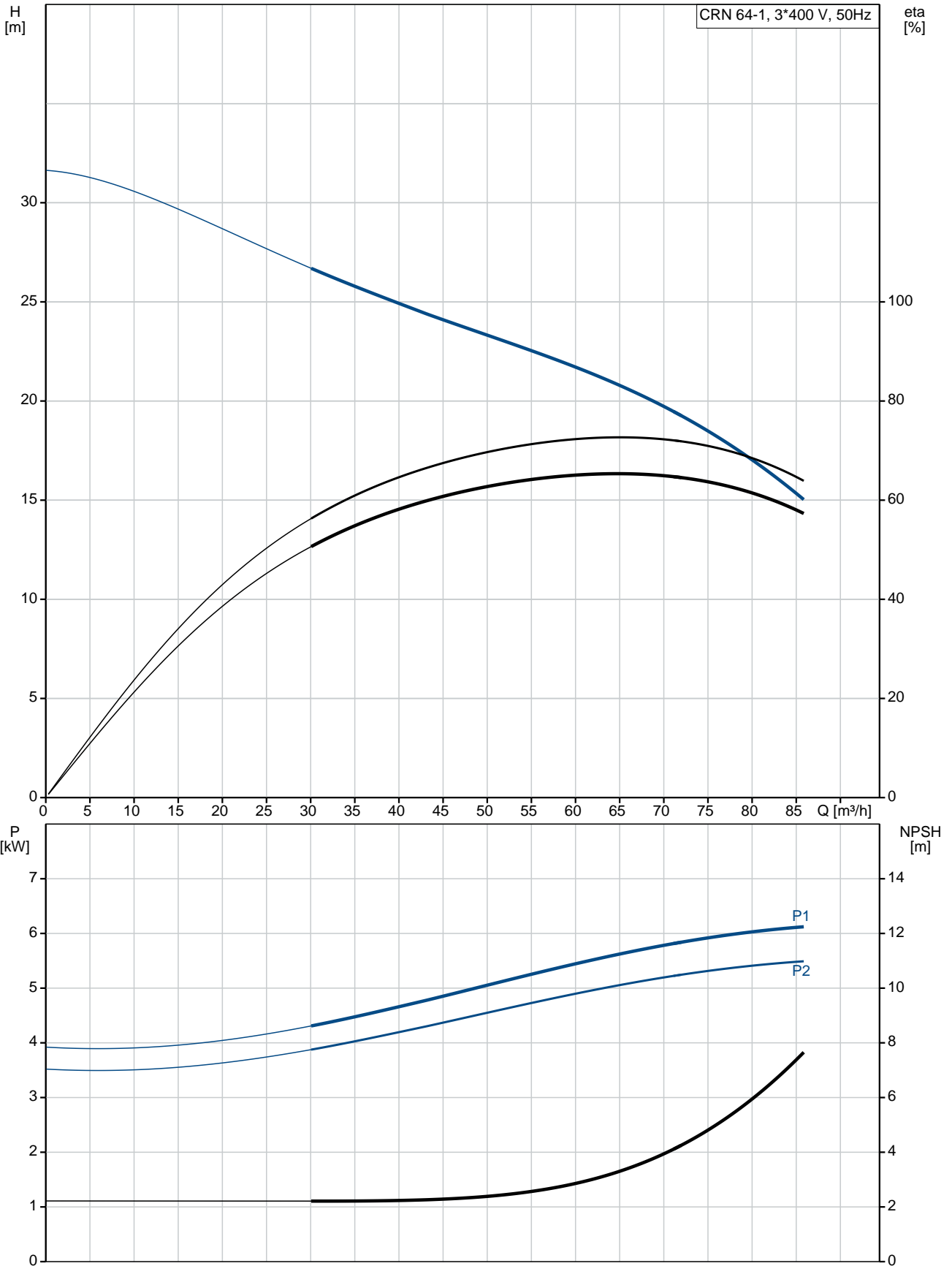
**Electrical data:**

Motor standard: IEC  
Motor type: 132SC  
IE Efficiency class: IE3  
Rated power - P2: 5.5 kW  
Power (P2) required by pump: 5.5 kW  
Mains frequency: 50 Hz  
Rated voltage: 3 x 380-415D V  
Rated current: 11 A  
Starting current: 1080-1180 %  
Cos phi - power factor: 0.87-0.82  
Rated speed: 2920-2940 rpm  
Efficiency: IE3 89,2%  
Motor efficiency at full load: 89.2 %  
Motor efficiency at 3/4 load: 90.0 %  
Motor efficiency at 1/2 load: 89.6 %  
Number of poles: 2  
Enclosure class (IEC 34-5): 55 Dust/Jetting  
Insulation class (IEC 85): F

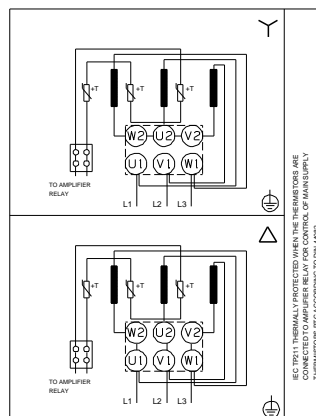
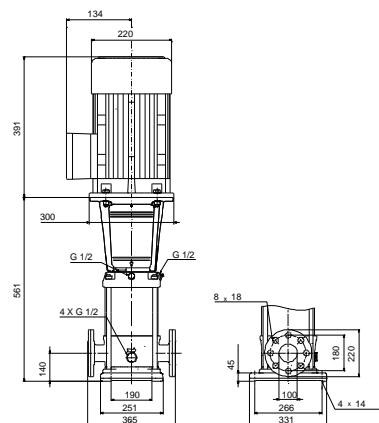
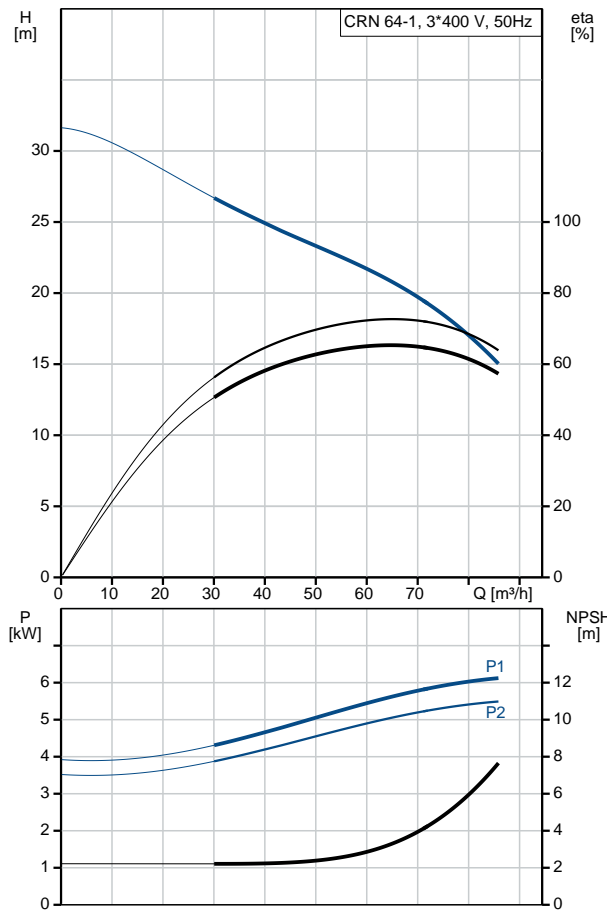
**Others:**

Minimum efficiency index, MEI  $\hat{\alpha}\%$ : 0.70  
Net weight: 102 kg  
Gross weight: 125 kg  
Shipping volume: 0.309 m<sup>3</sup>  
Country of origin: GB  
Custom tariff no.: 84137075

## 96536484 CRN 64-1 A-F-H-E-HQQE 50 Hz



Description	Value
<b>General information:</b>	
Product name:	CRN 64-1 A-F-H-E-HQQE
Product No:	96536484
EAN number:	5700397572832
Price:	4.176,00 GBP
<b>Technical:</b>	
Pump speed on which pump data are based:	2919 rpm
Rated flow:	64 m <sup>3</sup> /h
Rated head:	21.1 m
Head max:	31.9 m
Stages:	1
Impellers:	1
Number of reduced-diameter impellers:	0
Low NPSH:	N
Pump orientation:	Vertical
Shaft seal arrangement:	Single
Code for shaft seal:	HQQE
Approvals on nameplate:	CE, EAC, ACS
Curve tolerance:	ISO9906:2012 3B
Pump version:	A
Model:	B
<b>Materials:</b>	
Base:	Stainless steel EN 1.4408 AISI 316
Impeller:	Stainless steel EN 1.4401 AISI 316
Material code:	H
Code for rubber:	E
Bearing:	SIC
Support bearing:	Graflon
<b>Installation:</b>	
Maximum ambient temperature:	60 °C
Maximum operating pressure:	16 bar
Max pressure at stated temp:	16 bar / 120 °C 16 bar / -40 °C
Type of connection:	DIN
Size of inlet connection:	DN 100
Size of outlet connection:	DN 100
Pressure rating for pipe connection:	PN 16
Flange size for motor:	FF265
Connect code:	F
<b>Liquid:</b>	
Pumped liquid:	Water
Liquid temperature range:	-40 .. 120 °C
Liquid temperature during operation:	20 °C
Density:	998.2 kg/m <sup>3</sup>
<b>Electrical data:</b>	
Motor standard:	IEC
Motor type:	132SC
IE Efficiency class:	IE3
Rated power - P2:	5.5 kW
Power (P2) required by pump:	5.5 kW
Mains frequency:	50 Hz
Rated voltage:	3 x 380-415D V
Rated current:	11 A





Company name:

Created by:

Phone:

Date:

12/03/2019

Description	Value
Starting current:	1080-1180 %
Cos phi - power factor:	0.87-0.82
Rated speed:	2920-2940 rpm
Efficiency:	IE3 89,2%
Motor efficiency at full load:	89.2 %
Motor efficiency at 3/4 load:	90.0 %
Motor efficiency at 1/2 load:	89.6 %
Number of poles:	2
Enclosure class (IEC 34-5):	55 Dust/Jetting
Insulation class (IEC 85):	F
Motor protec:	PTC
Motor No:	85U17417
<b>Controls:</b>	
Frequency converter:	NONE
<b>Others:</b>	
Minimum efficiency index, MEI %:	0.70
Net weight:	102 kg
Gross weight:	125 kg
Shipping volume:	0.309 m <sup>3</sup>
Sales region:	Great Britain
Country of origin:	GB
Custom tariff no.:	84137075

## 96536484 CRN 64-1 A-F-H-E-HQQE 50 Hz

