

Qty. Description

1 CRN 45-8-2 A-F-H-E-HQQE



Product No.: [96536461](#)

Vertical, multistage centrifugal pump with inlet and outlet ports on same the level (inline). Pump materials in contact with the liquid are in high-grade stainless steel. A cartridge shaft seal ensures high reliability, safe handling, and easy access and service. Power transmission is via a rigid split coupling. Pipe connection is via DIN flanges.

The pump is fitted with a 3-phase, fan-cooled asynchronous motor.

Controls:

Frequency converter: NONE

Liquid:

Pumped liquid: Water
 Liquid temperature range: -40 .. 120 °C
 Liquid temperature during operation: 20 °C
 Density: 998.2 kg/m³

Technical:

Pump speed on which pump data are based: 2951 rpm
 Rated flow: 45 m³/h
 Rated head: 155.8 m
 Pump orientation: Vertical
 Shaft seal arrangement: Single
 Code for shaft seal: HQQE
 Approvals on nameplate: CE, EAC, ACS
 Curve tolerance: ISO9906:2012 3B

Materials:

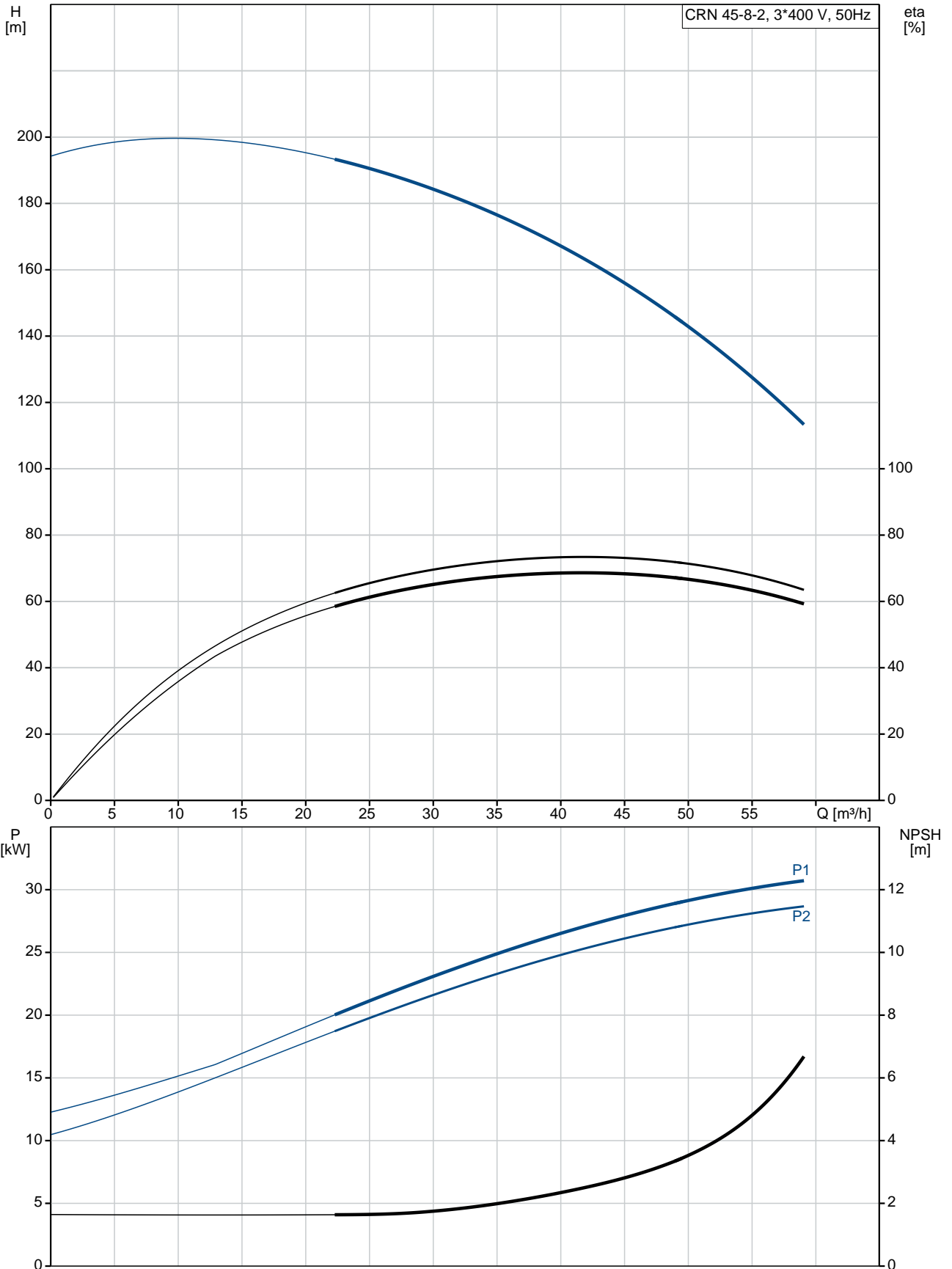
Base: Stainless steel
 EN 1.4408
 AISI 316
 Impeller: Stainless steel
 EN 1.4401
 AISI 316
 Bearing: SIC
 Support bearing: Graflon

Installation:

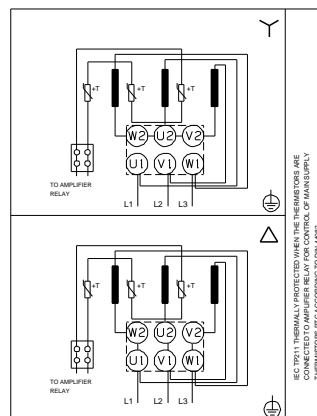
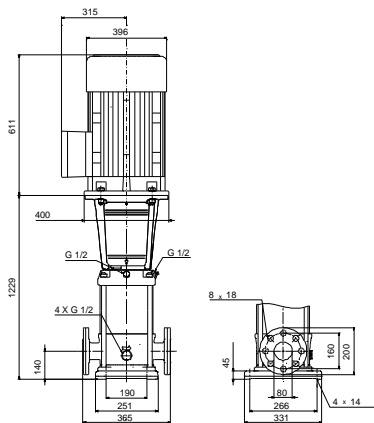
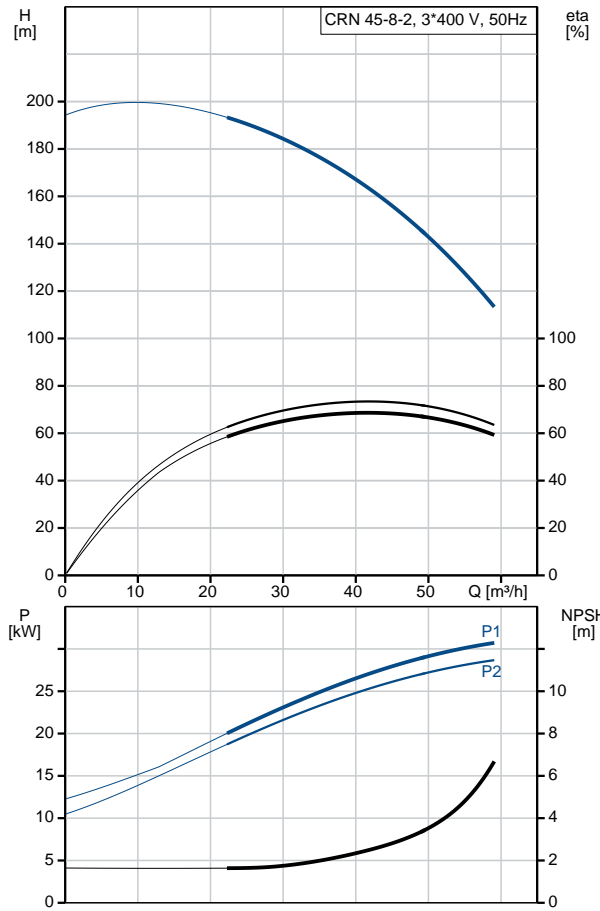
Maximum ambient temperature: 55 °C
 Maximum operating pressure: 30 bar
 Max pressure at stated temp: 30 bar / 120 °C
 30 bar / -40 °C
 Type of connection: DIN
 Size of inlet connection: DN 80
 Size of outlet connection: DN 80
 Pressure rating for pipe connection: PN 40
 Flange size for motor: FF350

Qty.	Description																																																
	<p>Electrical data:</p> <table><tr><td>Motor standard:</td><td>IEC</td></tr><tr><td>Motor type:</td><td>SIEMENS</td></tr><tr><td>IE Efficiency class:</td><td>IE3</td></tr><tr><td>Rated power - P2:</td><td>30 kW</td></tr><tr><td>Power (P2) required by pump:</td><td>30 kW</td></tr><tr><td>Mains frequency:</td><td>50 Hz</td></tr><tr><td>Rated voltage:</td><td>3 x 380-420D/660-725Y V</td></tr><tr><td>Rated current:</td><td>56,0-51,0/32,0-29,5 A</td></tr><tr><td>Starting current:</td><td>660-660 %</td></tr><tr><td>Cos phi - power factor:</td><td>0.87</td></tr><tr><td>Rated speed:</td><td>2955 rpm</td></tr><tr><td>Efficiency:</td><td>IE3 93,3%</td></tr><tr><td>Motor efficiency at full load:</td><td>93.3-93.3 %</td></tr><tr><td>Motor efficiency at 3/4 load:</td><td>93.6-93.6 %</td></tr><tr><td>Motor efficiency at 1/2 load:</td><td>93.4-93.4 %</td></tr><tr><td>Number of poles:</td><td>2</td></tr><tr><td>Enclosure class (IEC 34-5):</td><td>55 Dust/Jetting</td></tr><tr><td>Insulation class (IEC 85):</td><td>F</td></tr></table> <p>Others:</p> <table><tr><td>Minimum efficiency index, MEI $\hat{\alpha}\%$:</td><td>0.70</td></tr><tr><td>Net weight:</td><td>328 kg</td></tr><tr><td>Gross weight:</td><td>373 kg</td></tr><tr><td>Shipping volume:</td><td>0.808 m³</td></tr><tr><td>Country of origin:</td><td>GB</td></tr><tr><td>Custom tariff no.:</td><td>84137075</td></tr></table>	Motor standard:	IEC	Motor type:	SIEMENS	IE Efficiency class:	IE3	Rated power - P2:	30 kW	Power (P2) required by pump:	30 kW	Mains frequency:	50 Hz	Rated voltage:	3 x 380-420D/660-725Y V	Rated current:	56,0-51,0/32,0-29,5 A	Starting current:	660-660 %	Cos phi - power factor:	0.87	Rated speed:	2955 rpm	Efficiency:	IE3 93,3%	Motor efficiency at full load:	93.3-93.3 %	Motor efficiency at 3/4 load:	93.6-93.6 %	Motor efficiency at 1/2 load:	93.4-93.4 %	Number of poles:	2	Enclosure class (IEC 34-5):	55 Dust/Jetting	Insulation class (IEC 85):	F	Minimum efficiency index, MEI $\hat{\alpha}\%$:	0.70	Net weight:	328 kg	Gross weight:	373 kg	Shipping volume:	0.808 m ³	Country of origin:	GB	Custom tariff no.:	84137075
Motor standard:	IEC																																																
Motor type:	SIEMENS																																																
IE Efficiency class:	IE3																																																
Rated power - P2:	30 kW																																																
Power (P2) required by pump:	30 kW																																																
Mains frequency:	50 Hz																																																
Rated voltage:	3 x 380-420D/660-725Y V																																																
Rated current:	56,0-51,0/32,0-29,5 A																																																
Starting current:	660-660 %																																																
Cos phi - power factor:	0.87																																																
Rated speed:	2955 rpm																																																
Efficiency:	IE3 93,3%																																																
Motor efficiency at full load:	93.3-93.3 %																																																
Motor efficiency at 3/4 load:	93.6-93.6 %																																																
Motor efficiency at 1/2 load:	93.4-93.4 %																																																
Number of poles:	2																																																
Enclosure class (IEC 34-5):	55 Dust/Jetting																																																
Insulation class (IEC 85):	F																																																
Minimum efficiency index, MEI $\hat{\alpha}\%$:	0.70																																																
Net weight:	328 kg																																																
Gross weight:	373 kg																																																
Shipping volume:	0.808 m ³																																																
Country of origin:	GB																																																
Custom tariff no.:	84137075																																																

96536461 CRN 45-8-2 A-F-H-E-HQQE 50 Hz



Description	Value
General information:	
Product name:	CRN 45-8-2 A-F-H-E-HQQE
Product No:	96536461
EAN number:	5700397572115
Technical:	
Pump speed on which pump data are based:	2951 rpm
Rated flow:	45 m ³ /h
Rated head:	155.8 m
Head max:	194.4 m
Stages:	8
Impellers:	8
Number of reduced-diameter impellers:	2
Low NPSH:	N
Pump orientation:	Vertical
Shaft seal arrangement:	Single
Code for shaft seal:	HQQE
Approvals on nameplate:	CE, EAC, ACS
Curve tolerance:	ISO9906:2012 3B
Pump version:	A
Model:	B
Materials:	
Base:	Stainless steel EN 1.4408 AISI 316
Impeller:	Stainless steel EN 1.4401 AISI 316
Material code:	H
Code for rubber:	E
Bearing:	SIC
Support bearing:	Graflon
Installation:	
Maximum ambient temperature:	55 °C
Maximum operating pressure:	30 bar
Max pressure at stated temp:	30 bar / 120 °C 30 bar / -40 °C
Type of connection:	DIN
Size of inlet connection:	DN 80
Size of outlet connection:	DN 80
Pressure rating for pipe connection:	PN 40
Flange size for motor:	FF350
Connect code:	F
Liquid:	
Pumped liquid:	Water
Liquid temperature range:	-40 .. 120 °C
Liquid temperature during operation:	20 °C
Density:	998.2 kg/m ³
Electrical data:	
Motor standard:	IEC
Motor type:	SIEMENS
IE Efficiency class:	IE3
Rated power - P2:	30 kW
Power (P2) required by pump:	30 kW
Mains frequency:	50 Hz
Rated voltage:	3 x 380-420D/660-725Y V
Rated current:	56,0-51,0/32,0-29,5 A





Company name:

Created by:

Phone:

Date:

12/03/2019

Description	Value
Starting current:	660-660 %
Cos phi - power factor:	0.87
Rated speed:	2955 rpm
Efficiency:	IE3 93,3%
Motor efficiency at full load:	93.3-93.3 %
Motor efficiency at 3/4 load:	93.6-93.6 %
Motor efficiency at 1/2 load:	93.4-93.4 %
Number of poles:	2
Enclosure class (IEC 34-5):	55 Dust/Jetting
Insulation class (IEC 85):	F
Motor protec:	PTC
Motor No:	81U15332
Controls:	
Frequency converter:	NONE
Others:	
Minimum efficiency index, MEI %:	0.70
Net weight:	328 kg
Gross weight:	373 kg
Shipping volume:	0.808 m ³
Sales region:	Great Britain
Country of origin:	GB
Custom tariff no.:	84137075