
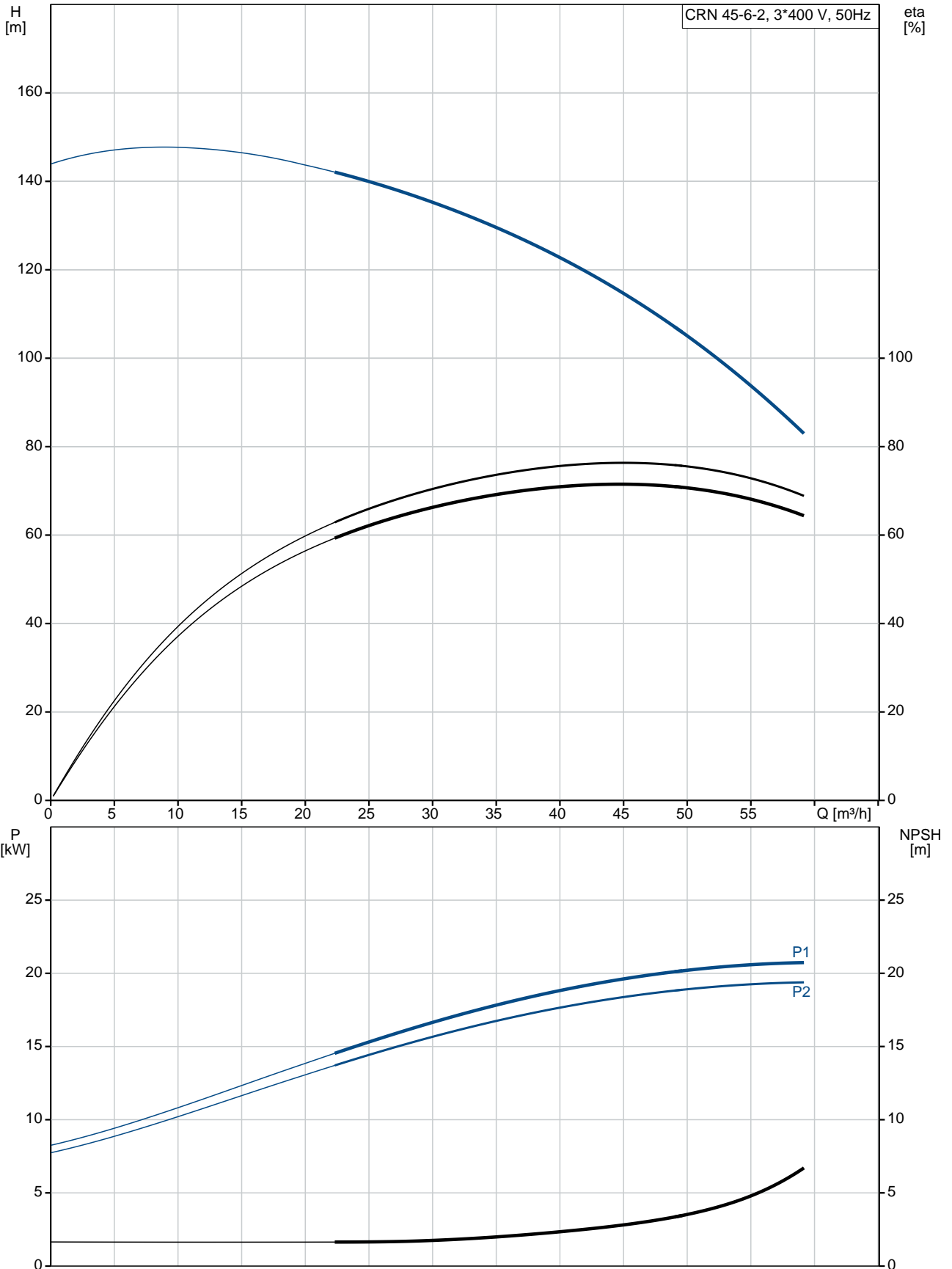


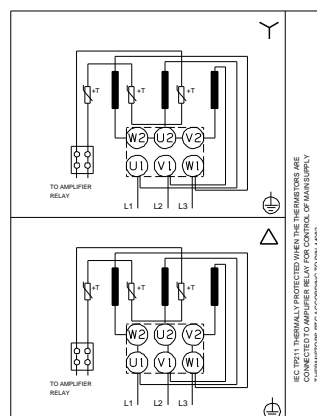
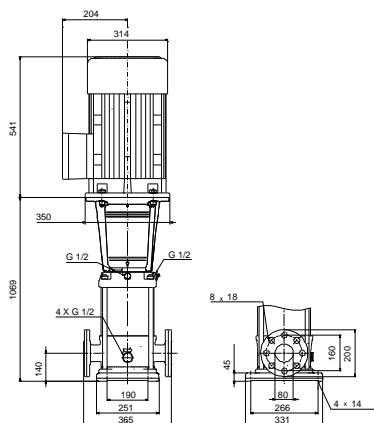
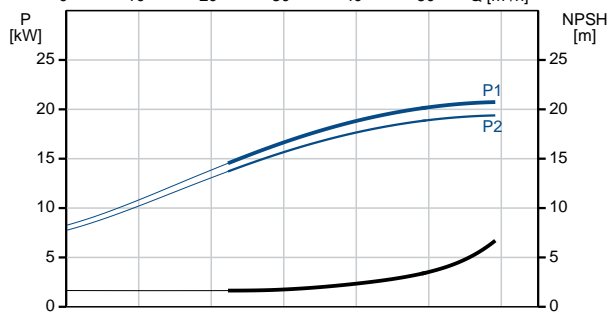
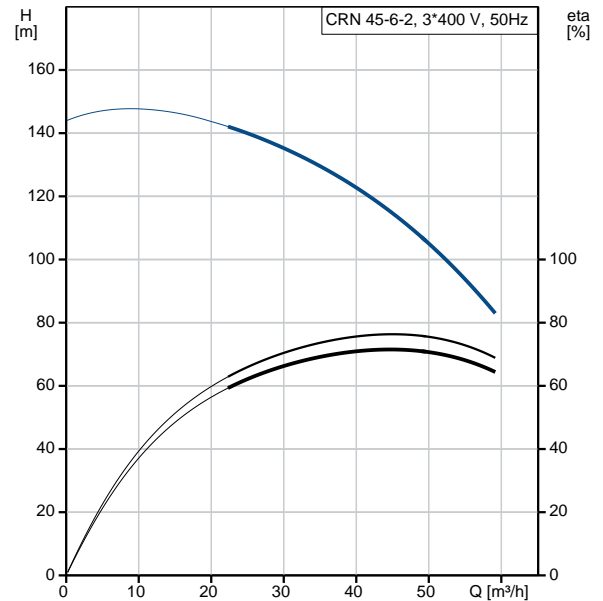
Qty.	Description
1	<p data-bbox="199 338 518 369">CRN 45-6-2 A-F-H-E-HQQE</p>  <p data-bbox="199 660 470 692">Product No.: 96536457</p> <p data-bbox="199 719 1452 824">Vertical, multistage centrifugal pump with inlet and outlet ports on same the level (inline). Pump materials in contact with the liquid are in high-grade stainless steel. A cartridge shaft seal ensures high reliability, safe handling, and easy access and service. Power transmission is via a rigid split coupling. Pipe connection is via DIN flanges.</p> <p data-bbox="199 862 933 893">The pump is fitted with a 3-phase, fan-cooled asynchronous motor.</p> <p data-bbox="199 920 319 952">Controls:</p> <p data-bbox="199 952 638 983">Frequency converter: NONE</p> <p data-bbox="199 1010 295 1041">Liquid:</p> <p data-bbox="199 1041 638 1072">Pumped liquid: Water</p> <p data-bbox="199 1072 710 1104">Liquid temperature range: -40 .. 120 °C</p> <p data-bbox="199 1104 694 1135">Liquid temperature during operation: 20 °C</p> <p data-bbox="199 1135 702 1167">Density: 998.2 kg/m³</p> <p data-bbox="199 1193 327 1225">Technical:</p> <p data-bbox="199 1225 821 1256">Pump speed on which pump data are based: 2947 rpm</p> <p data-bbox="199 1256 654 1288">Rated flow: 45 m³/h</p> <p data-bbox="199 1288 662 1319">Rated head: 113.3 m</p> <p data-bbox="199 1319 654 1350">Pump orientation: Vertical</p> <p data-bbox="199 1350 638 1382">Shaft seal arrangement: Single</p> <p data-bbox="199 1382 646 1413">Code for shaft seal: HQQE</p> <p data-bbox="199 1413 726 1444">Approvals on nameplate: CE, EAC, ACS</p> <p data-bbox="199 1444 766 1476">Curve tolerance: ISO9906:2012 3B</p> <p data-bbox="199 1503 327 1534">Materials:</p> <p data-bbox="199 1534 726 1601">Base: Stainless steel EN 1.4408 AISI 316</p> <p data-bbox="199 1601 726 1691">Impeller: Stainless steel EN 1.4401 AISI 316</p> <p data-bbox="199 1691 614 1722">Bearing: SIC</p> <p data-bbox="199 1722 646 1753">Support bearing: Graflon</p> <p data-bbox="199 1780 343 1812">Installation:</p> <p data-bbox="199 1812 630 1843">Maximum ambient temperature: 60 °C</p> <p data-bbox="199 1843 638 1874">Maximum operating pressure: 30 bar</p> <p data-bbox="199 1874 742 1942">Max pressure at stated temp: 30 bar / 120 °C 30 bar / -40 °C</p> <p data-bbox="199 1942 614 1973">Type of connection: DIN</p> <p data-bbox="199 1973 638 2004">Size of inlet connection: DN 80</p> <p data-bbox="199 2004 638 2036">Size of outlet connection: DN 80</p> <p data-bbox="199 2036 686 2067">Pressure rating for pipe connection: PN 40</p> <p data-bbox="199 2067 638 2098">Flange size for motor: FF300</p>

Qty.	Description
	<p>Electrical data:</p> <p>Motor standard: IEC Motor type: 180MB IE Efficiency class: IE3 Rated power - P2: 22 kW Power (P2) required by pump: 22 kW Mains frequency: 50 Hz Rated voltage: 3 x 380-415D/660-690Y V Rated current: 39.5/22.8 A Starting current: 830 % Cos phi - power factor: 0.90-0.90 Rated speed: 2950 rpm Efficiency: IE3 92,7% Motor efficiency at full load: 92.7-92.7 % Motor efficiency at 3/4 load: 93.7 % Motor efficiency at 1/2 load: 94.4 % Number of poles: 2 Enclosure class (IEC 34-5): 55 Dust/Jetting Insulation class (IEC 85): F</p> <p>Others:</p> <p>Minimum efficiency index, MEI $\hat{\alpha}\%$: 0.70 Net weight: 217 kg Gross weight: 256 kg Shipping volume: 0.805 m³ Country of origin: GB Custom tariff no.: 84137075</p>

96536457 CRN 45-6-2 A-F-H-E-HQQE 50 Hz



Description	Value
General information:	
Product name:	CRN 45-6-2 A-F-H-E-HQQE
Product No:	96536457
EAN number:	5700397571651
Price:	9.377,00 GBP
Technical:	
Pump speed on which pump data are based:	2947 rpm
Rated flow:	45 m ³ /h
Rated head:	113.3 m
Head max:	143.2 m
Stages:	6
Impellers:	6
Number of reduced-diameter impellers:	2
Low NPSH:	N
Pump orientation:	Vertical
Shaft seal arrangement:	Single
Code for shaft seal:	HQQE
Approvals on nameplate:	CE, EAC, ACS
Curve tolerance:	ISO9906:2012 3B
Pump version:	A
Model:	B
Materials:	
Base:	Stainless steel EN 1.4408 AISI 316
Impeller:	Stainless steel EN 1.4401 AISI 316
Material code:	H
Code for rubber:	E
Bearing:	SIC
Support bearing:	Graflon
Installation:	
Maximum ambient temperature:	60 °C
Maximum operating pressure:	30 bar
Max pressure at stated temp:	30 bar / 120 °C 30 bar / -40 °C
Type of connection:	DIN
Size of inlet connection:	DN 80
Size of outlet connection:	DN 80
Pressure rating for pipe connection:	PN 40
Flange size for motor:	FF300
Connect code:	F
Liquid:	
Pumped liquid:	Water
Liquid temperature range:	-40 .. 120 °C
Liquid temperature during operation:	20 °C
Density:	998.2 kg/m ³
Electrical data:	
Motor standard:	IEC
Motor type:	180MB
IE Efficiency class:	IE3
Rated power - P2:	22 kW
Power (P2) required by pump:	22 kW
Mains frequency:	50 Hz
Rated voltage:	3 x 380-415D/660-690Y V





Company name:

Created by:

Phone:

Date:

12/03/2019

Description	Value
Rated current:	39.5/22.8 A
Starting current:	830 %
Cos phi - power factor:	0.90-0.90
Rated speed:	2950 rpm
Efficiency:	IE3 92,7%
Motor efficiency at full load:	92.7-92.7 %
Motor efficiency at 3/4 load:	93.7 %
Motor efficiency at 1/2 load:	94.4 %
Number of poles:	2
Enclosure class (IEC 34-5):	55 Dust/Jetting
Insulation class (IEC 85):	F
Motor protec:	PTC
Motor No:	85U17530
Controls:	
Frequency converter:	NONE
Others:	
Minimum efficiency index, MEI η_{min} :	0.70
Net weight:	217 kg
Gross weight:	256 kg
Shipping volume:	0.805 m ³
Sales region:	Great Britain
Country of origin:	GB
Custom tariff no.:	84137075

96536457 CRN 45-6-2 A-F-H-E-HQQE 50 Hz

