


| Qty. | Description  |
|------|--|
| 1    | <p data-bbox="199 338 507 367"><b>CRN 32-10 A-F-H-E-HQQE</b></p>  <p data-bbox="199 660 469 689">Product No.: <a href="#">96536156</a></p> <p data-bbox="199 719 1453 824">Vertical, multistage centrifugal pump with inlet and outlet ports on same the level (inline). Pump materials in contact with the liquid are in high-grade stainless steel. A cartridge shaft seal ensures high reliability, safe handling, and easy access and service. Power transmission is via a rigid split coupling. Pipe connection is via DIN flanges.</p> <p data-bbox="199 862 935 891">The pump is fitted with a 3-phase, fan-cooled asynchronous motor.</p> <p data-bbox="199 922 312 952"><b>Controls:</b></p> <p data-bbox="199 952 638 981">Frequency converter: NONE</p> <p data-bbox="199 1012 288 1041"><b>Liquid:</b></p> <p data-bbox="199 1041 707 1160">Pumped liquid: Water<br/>Liquid temperature range: -40 .. 120 °C<br/>Liquid temperature during operation: 20 °C<br/>Density: 998.2 kg/m<sup>3</sup></p> <p data-bbox="199 1191 325 1220"><b>Technical:</b></p> <p data-bbox="199 1220 820 1458">Pump speed on which pump data are based: 2934 rpm<br/>Rated flow: 30 m<sup>3</sup>/h<br/>Rated head: 152.5 m<br/>Pump orientation: Vertical<br/>Shaft seal arrangement: Single<br/>Code for shaft seal: HQQE<br/>Approvals on nameplate: CE, EAC, ACS<br/>Curve tolerance: ISO9906:2012 3B</p> <p data-bbox="199 1489 320 1518"><b>Materials:</b></p> <p data-bbox="199 1518 727 1756">Base: Stainless steel<br/>EN 1.4408<br/>AISI 316<br/>Impeller: Stainless steel<br/>EN 1.4401<br/>AISI 316<br/>Bearing: SIC<br/>Support bearing: Graflon</p> <p data-bbox="199 1787 344 1816"><b>Installation:</b></p> <p data-bbox="199 1816 740 2085">Maximum ambient temperature: 60 °C<br/>Maximum operating pressure: 30 bar<br/>Max pressure at stated temp: 30 bar / 120 °C<br/>30 bar / -40 °C<br/>Type of connection: DIN<br/>Size of inlet connection: DN 65<br/>Size of outlet connection: DN 65<br/>Pressure rating for pipe connection: PN 40<br/>Flange size for motor: FF300</p> |

| Qty. | Description |
|------|-------------|
|------|-------------|

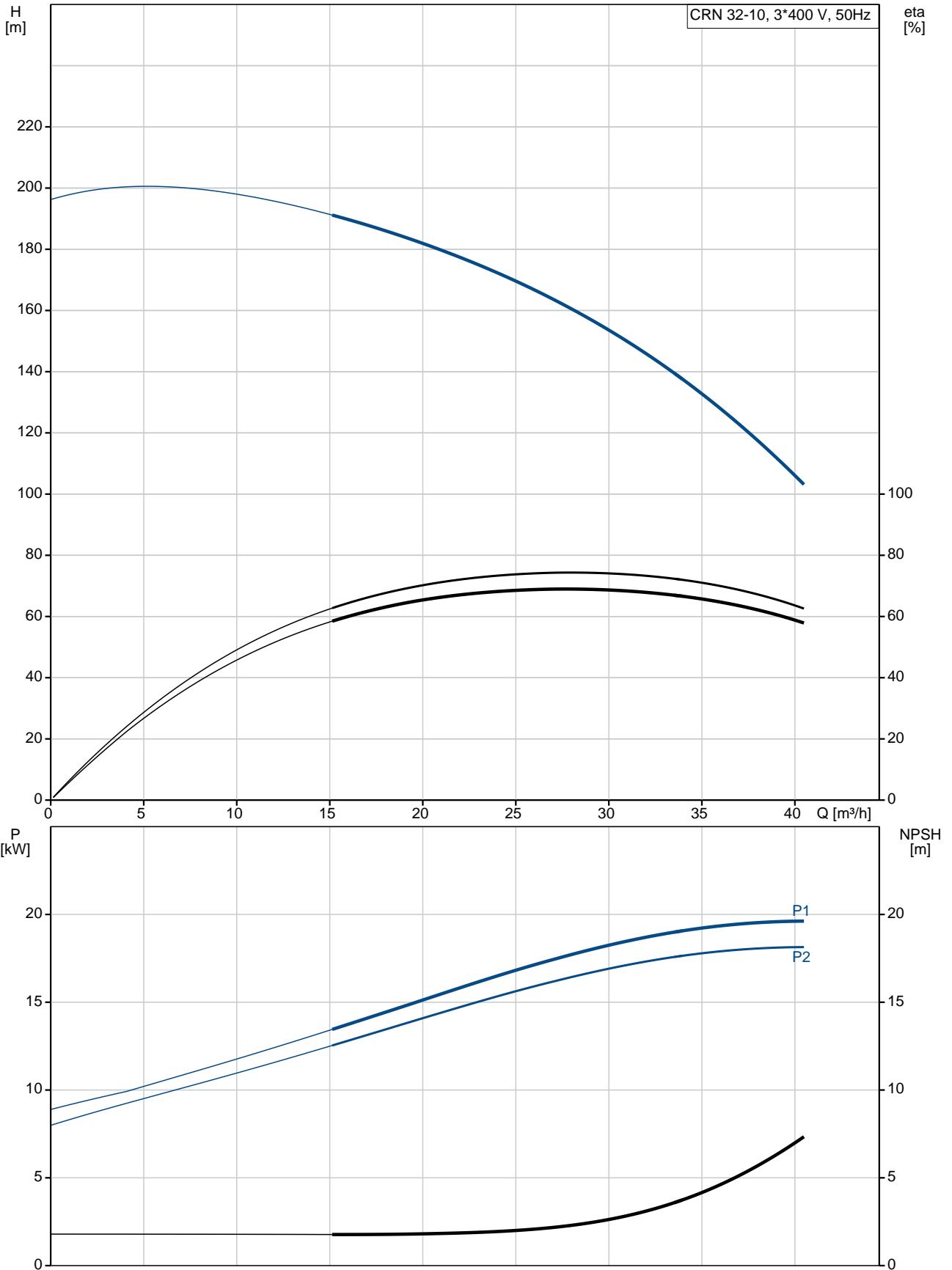
**Electrical data:**

|                                |                         |
|--------------------------------|-------------------------|
| Motor standard:                | IEC                     |
| Motor type:                    | 160LB                   |
| IE Efficiency class:           | IE3                     |
| Rated power - P2:              | 18.5 kW                 |
| Power (P2) required by pump:   | 18.5 kW                 |
| Mains frequency:               | 50 Hz                   |
| Rated voltage:                 | 3 x 380-415D/660-690Y V |
| Rated current:                 | 34,5-32,5/20,0-18,8 A   |
| Starting current:              | 830-980 %               |
| Cos phi - power factor:        | 0.89-0.85               |
| Rated speed:                   | 2940-2950 rpm           |
| Efficiency:                    | IE3 92,4%               |
| Motor efficiency at full load: | 92.4-92.4 %             |
| Motor efficiency at 3/4 load:  | 93.2 %                  |
| Motor efficiency at 1/2 load:  | 93.2 %                  |
| Number of poles:               | 2                       |
| Enclosure class (IEC 34-5):    | 55 Dust/Jetting         |
| Insulation class (IEC 85):     | F                       |

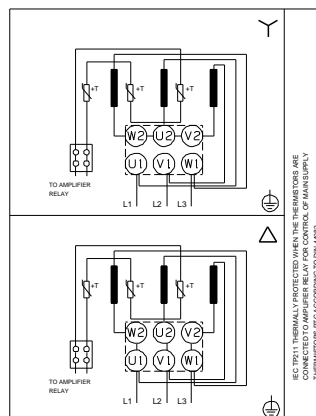
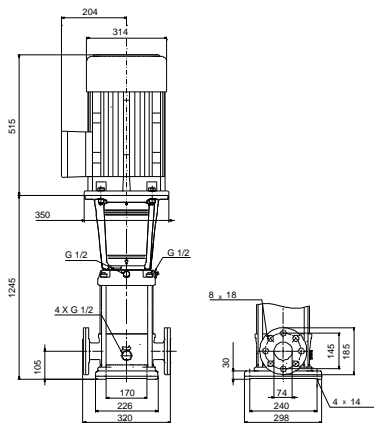
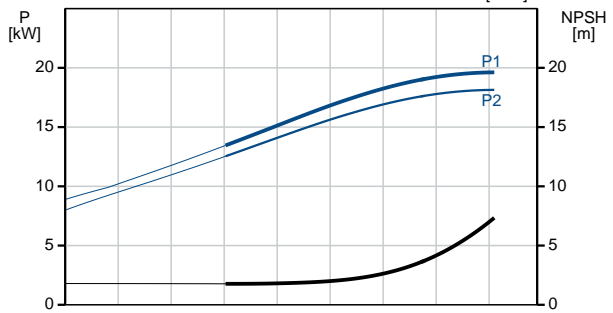
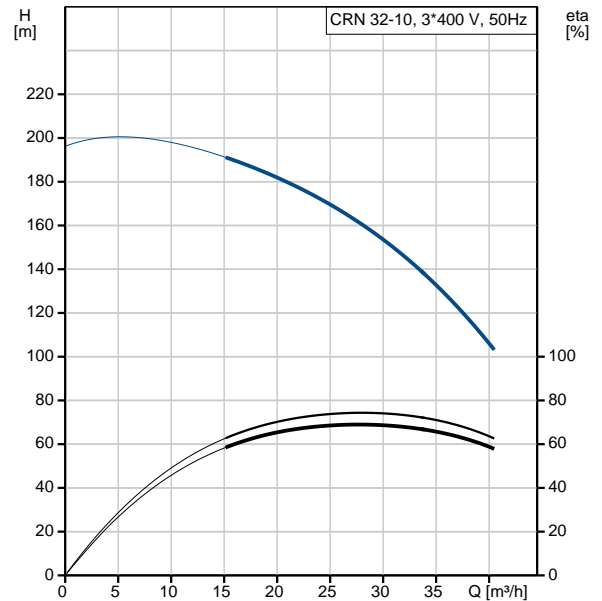
**Others:**

|  |                      |
|--|----------------------|
| Minimum efficiency index, MEI $\hat{\alpha}\%$ : | 0.70                 |
| Net weight:                                      | 202 kg               |
| Gross weight:                                    | 241 kg               |
| Shipping volume:                                 | 0.805 m <sup>3</sup> |
| Country of origin:                               | GB                   |
| Custom tariff no.:                               | 84137075             |

## 96536156 CRN 32-10 A-F-H-E-HQQE 50 Hz



| Description                              | Value                                    |
|--|--|
| <b>General information:</b>              |  |
| Product name:                            | CRN 32-10<br>A-F-H-E-HQQE                |
| Product No:                              | 96536156                                 |
| EAN number:                              | 5700397563786                            |
| Price:                                   | 8.537,00 GBP                             |
| <b>Technical:</b>                        |  |
| Pump speed on which pump data are based: | 2934 rpm                                 |
| Rated flow:                              | 30 m <sup>3</sup> /h                     |
| Rated head:                              | 152.5 m                                  |
| Head max:                                | 194.6 m                                  |
| Stages:                                  | 10                                       |
| Impellers:                               | 10                                       |
| Number of reduced-diameter impellers:    | 0  |
| Low NPSH:                                | N  |
| Pump orientation:                        | Vertical                                 |
| Shaft seal arrangement:                  | Single                                   |
| Code for shaft seal:                     | HQQE                                     |
| Approvals on nameplate:                  | CE, EAC, ACS                             |
| Curve tolerance:                         | ISO9906:2012 3B                          |
| Pump version:                            | A  |
| Model:                                   | B  |
| <b>Materials:</b>                        |  |
| Base:                                    | Stainless steel<br>EN 1.4408<br>AISI 316 |
| Impeller:                                | Stainless steel<br>EN 1.4401<br>AISI 316 |
| Material code:                           | H  |
| Code for rubber:                         | E  |
| Bearing:                                 | SIC                                      |
| Support bearing:                         | Graflon                                  |
| <b>Installation:</b>                     |  |
| Maximum ambient temperature:             | 60 °C                                    |
| Maximum operating pressure:              | 30 bar                                   |
| Max pressure at stated temp:             | 30 bar / 120 °C<br>30 bar / -40 °C       |
| Type of connection:                      | DIN                                      |
| Size of inlet connection:                | DN 65                                    |
| Size of outlet connection:               | DN 65                                    |
| Pressure rating for pipe connection:     | PN 40                                    |
| Flange size for motor:                   | FF300                                    |
| Connect code:                            | F  |
| <b>Liquid:</b>                           |  |
| Pumped liquid:                           | Water                                    |
| Liquid temperature range:                | -40 .. 120 °C                            |
| Liquid temperature during operation:     | 20 °C                                    |
| Density:                                 | 998.2 kg/m <sup>3</sup>                  |
| <b>Electrical data:</b>                  |  |
| Motor standard:                          | IEC                                      |
| Motor type:                              | 160LB                                    |
| IE Efficiency class:                     | IE3                                      |
| Rated power - P2:                        | 18.5 kW                                  |
| Power (P2) required by pump:             | 18.5 kW                                  |
| Mains frequency:                         | 50 Hz                                    |
| Rated voltage:                           | 3 x 380-415D/660-690Y<br>V               |



IEC 79114 THERMALLY PROTECTED WHEN THE DIMENSIONS ARE CONNECTED TO AMPLIFIER RELAY FOR CONTROL OF MAIN SUPPLY THERMISTOR PTC ACCORDING TO DIN 4002



Company name:

Created by:

Phone:

Date:

12/03/2019

| Description                                  | Value                 |
|--|-----------------------|
| Rated current:                               | 34,5-32,5/20,0-18,8 A |
| Starting current:                            | 830-980 %             |
| Cos phi - power factor:                      | 0.89-0.85             |
| Rated speed:                                 | 2940-2950 rpm         |
| Efficiency:                                  | IE3 92,4%             |
| Motor efficiency at full load:               | 92.4-92.4 %           |
| Motor efficiency at 3/4 load:                | 93.2 %                |
| Motor efficiency at 1/2 load:                | 93.2 %                |
| Number of poles:                             | 2                     |
| Enclosure class (IEC 34-5):                  | 55 Dust/Jetting       |
| Insulation class (IEC 85):                   | F                     |
| Motor protec:                                | PTC                   |
| Motor No:                                    | 85U17528              |
| <b>Controls:</b>                             |                       |
| Frequency converter:                         | NONE                  |
| <b>Others:</b>                               |                       |
| Minimum efficiency index, MEI $\eta_{min}$ : | 0.70                  |
| Net weight:                                  | 202 kg                |
| Gross weight:                                | 241 kg                |
| Shipping volume:                             | 0.805 m <sup>3</sup>  |
| Sales region:                                | Great Britain         |
| Country of origin:                           | GB                    |
| Custom tariff no.:                           | 84137075              |