

**Qty. Description**

1 CRN 32-6 A-F-H-E-HQQE



Note! Product picture may differ from actual product

Product No.: [96536138](#)

Vertical, multistage centrifugal pump with inlet and outlet ports on same the level (inline). Pump materials in contact with the liquid are in high-grade stainless steel. A cartridge shaft seal ensures high reliability, safe handling, and easy access and service. Power transmission is via a rigid split coupling. Pipe connection is via DIN flanges.

The pump is fitted with a 3-phase, fan-cooled asynchronous motor.

**Controls:**

Frequency converter: NONE

**Liquid:**

Pumped liquid: Water  
 Liquid temperature range: -40 .. 120 °C  
 Liquid temperature during operation: 20 °C  
 Density: 998.2 kg/m<sup>3</sup>

**Technical:**

Pump speed on which pump data are based: 2924 rpm  
 Rated flow: 30 m<sup>3</sup>/h  
 Rated head: 90.4 m  
 Pump orientation: Vertical  
 Shaft seal arrangement: Single  
 Code for shaft seal: HQQE  
 Approvals on nameplate: CE, EAC, ACS  
 Curve tolerance: ISO9906:2012 3B

**Materials:**

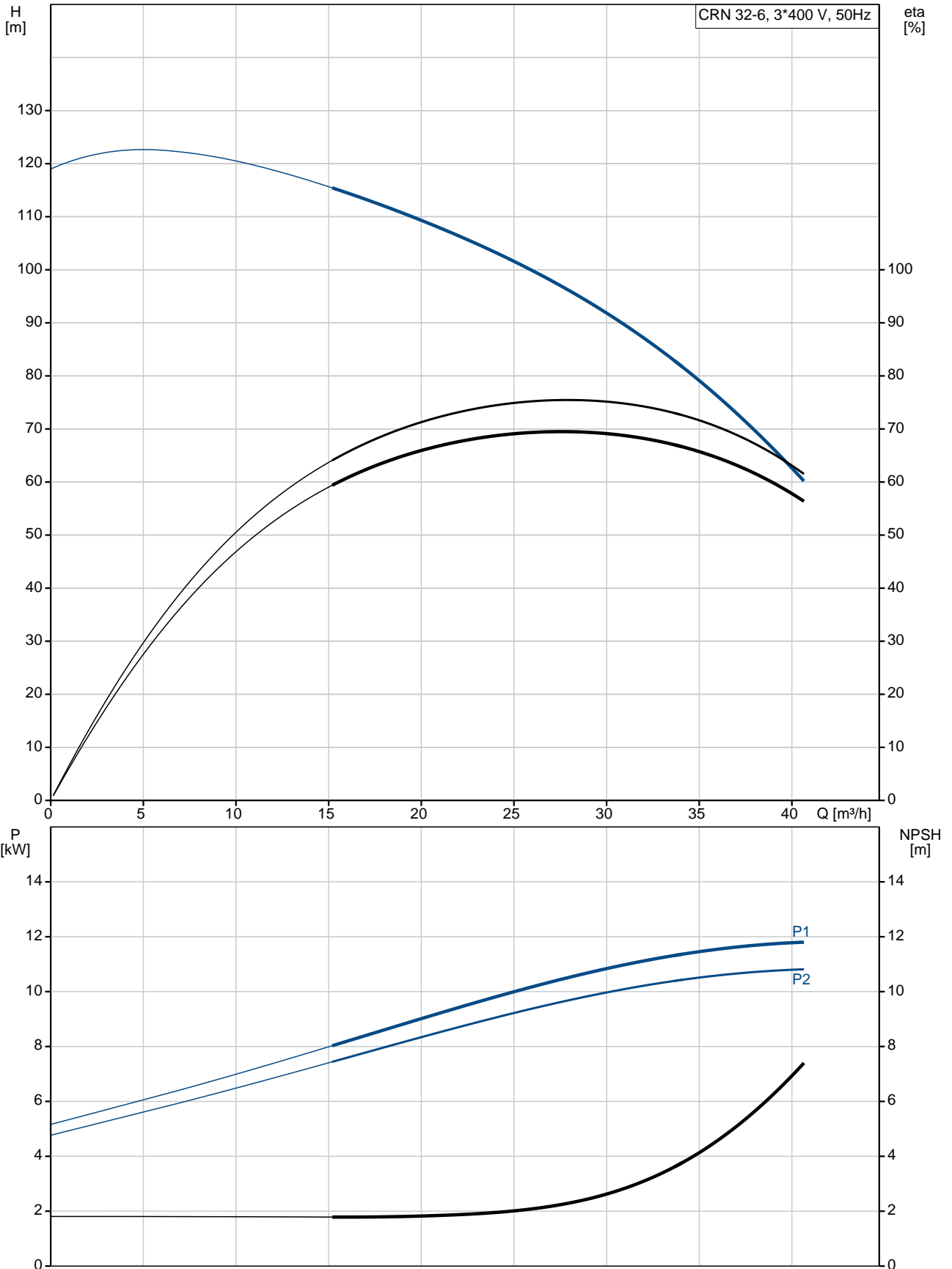
Base: Stainless steel  
 EN 1.4408  
 AISI 316  
 Impeller: Stainless steel  
 EN 1.4401  
 AISI 316  
 Bearing: SIC  
 Support bearing: Graflon

**Installation:**

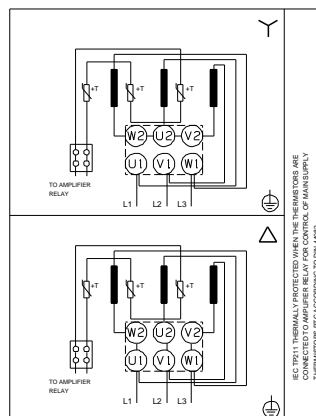
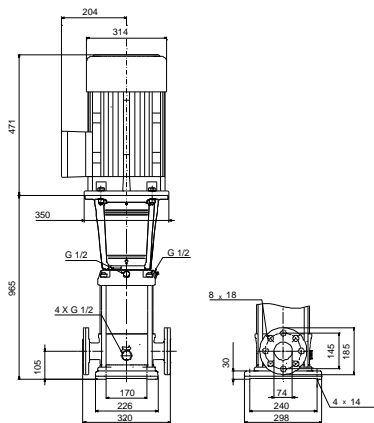
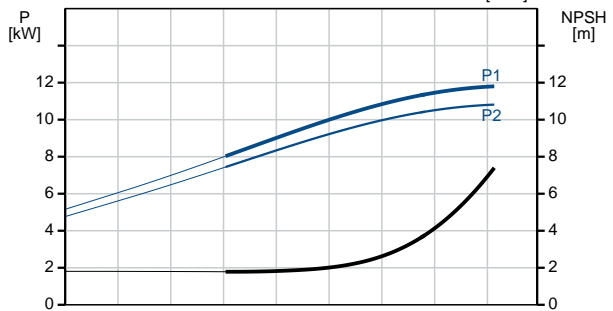
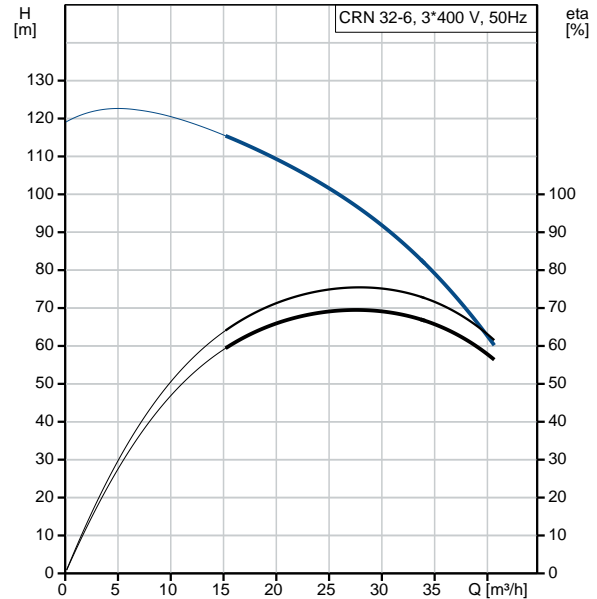
Maximum ambient temperature: 60 °C

Qty.	Description
	<p>Maximum operating pressure: 16 bar            Max pressure at stated temp: 16 bar / 120 °C            16 bar / -40 °C</p> <p>Type of connection: DIN            Size of inlet connection: DN 65            Size of outlet connection: DN 65            Pressure rating for pipe connection: PN 40            Flange size for motor: FF300</p> <p><b>Electrical data:</b>            Motor standard: IEC            Motor type: 160MB            IE Efficiency class: IE3            Rated power - P2: 11 kW            Power (P2) required by pump: 11 kW            Mains frequency: 50 Hz            Rated voltage: 3 x 380-415D/660-690Y V            Rated current: 20,8-19,8/12,0-11,8 A            Starting current: 660-780 %            Cos phi - power factor: 0.88-0.84            Rated speed: 2940-2950 rpm            Efficiency: IE3 91,2%            Motor efficiency at full load: 91.2-91.2 %            Motor efficiency at 3/4 load: 91.8 %            Motor efficiency at 1/2 load: 91.3 %            Number of poles: 2            Enclosure class (IEC 34-5): 55 Dust/Jetting            Insulation class (IEC 85): F</p> <p><b>Others:</b>            Minimum efficiency index, MEI <math>\eta_{min}</math>: 0.70            Net weight: 162 kg            Gross weight: 195 kg            Shipping volume: 0.495 m<sup>3</sup>            Country of origin: GB            Custom tariff no.: 84137075</p>

## 96536138 CRN 32-6 A-F-H-E-HQQE 50 Hz



Description	Value
<b>General information:</b>	
Product name:	CRN 32-6 A-F-H-E-HQQE
Product No:	96536138
EAN number:	5700397563700
Price:	6.081,00 GBP
<b>Technical:</b>	
Pump speed on which pump data are based:	2924 rpm
Rated flow:	30 m <sup>3</sup> /h
Rated head:	90.4 m
Head max:	116.8 m
Stages:	6
Impellers:	6
Number of reduced-diameter impellers:	0
Low NPSH:	N
Pump orientation:	Vertical
Shaft seal arrangement:	Single
Code for shaft seal:	HQQE
Approvals on nameplate:	CE, EAC, ACS
Curve tolerance:	ISO9906:2012 3B
Pump version:	A
Model:	B
<b>Materials:</b>	
Base:	Stainless steel EN 1.4408 AISI 316
Impeller:	Stainless steel EN 1.4401 AISI 316
Material code:	H
Code for rubber:	E
Bearing:	SIC
Support bearing:	Graflon
<b>Installation:</b>	
Maximum ambient temperature:	60 °C
Maximum operating pressure:	16 bar
Max pressure at stated temp:	16 bar / 120 °C 16 bar / -40 °C
Type of connection:	DIN
Size of inlet connection:	DN 65
Size of outlet connection:	DN 65
Pressure rating for pipe connection:	PN 40
Flange size for motor:	FF300
Connect code:	F
<b>Liquid:</b>	
Pumped liquid:	Water
Liquid temperature range:	-40 .. 120 °C
Liquid temperature during operation:	20 °C
Density:	998.2 kg/m <sup>3</sup>
<b>Electrical data:</b>	
Motor standard:	IEC
Motor type:	160MB
IE Efficiency class:	IE3
Rated power - P2:	11 kW
Power (P2) required by pump:	11 kW
Mains frequency:	50 Hz
Rated voltage:	3 x 380-415D/660-690V



Description	Value
Rated current:	20,8-19,8/12,0-11,8 A
Starting current:	660-780 %
Cos phi - power factor:	0.88-0.84
Rated speed:	2940-2950 rpm
Efficiency:	IE3 91,2%
Motor efficiency at full load:	91.2-91.2 %
Motor efficiency at 3/4 load:	91.8 %
Motor efficiency at 1/2 load:	91.3 %
Number of poles:	2
Enclosure class (IEC 34-5):	55 Dust/Jetting
Insulation class (IEC 85):	F
Motor protec:	PTC
Motor No:	85U17524
<b>Controls:</b>	
Frequency converter:	NONE
<b>Others:</b>	
Minimum efficiency index, MEI $\eta_{\text{min}}$ :	0.70
Net weight:	162 kg
Gross weight:	195 kg
Shipping volume:	0.495 m <sup>3</sup>
Sales region:	Great Britain
Country of origin:	GB
Custom tariff no.:	84137075

## 96536138 CRN 32-6 A-F-H-E-HQQE 50 Hz

