
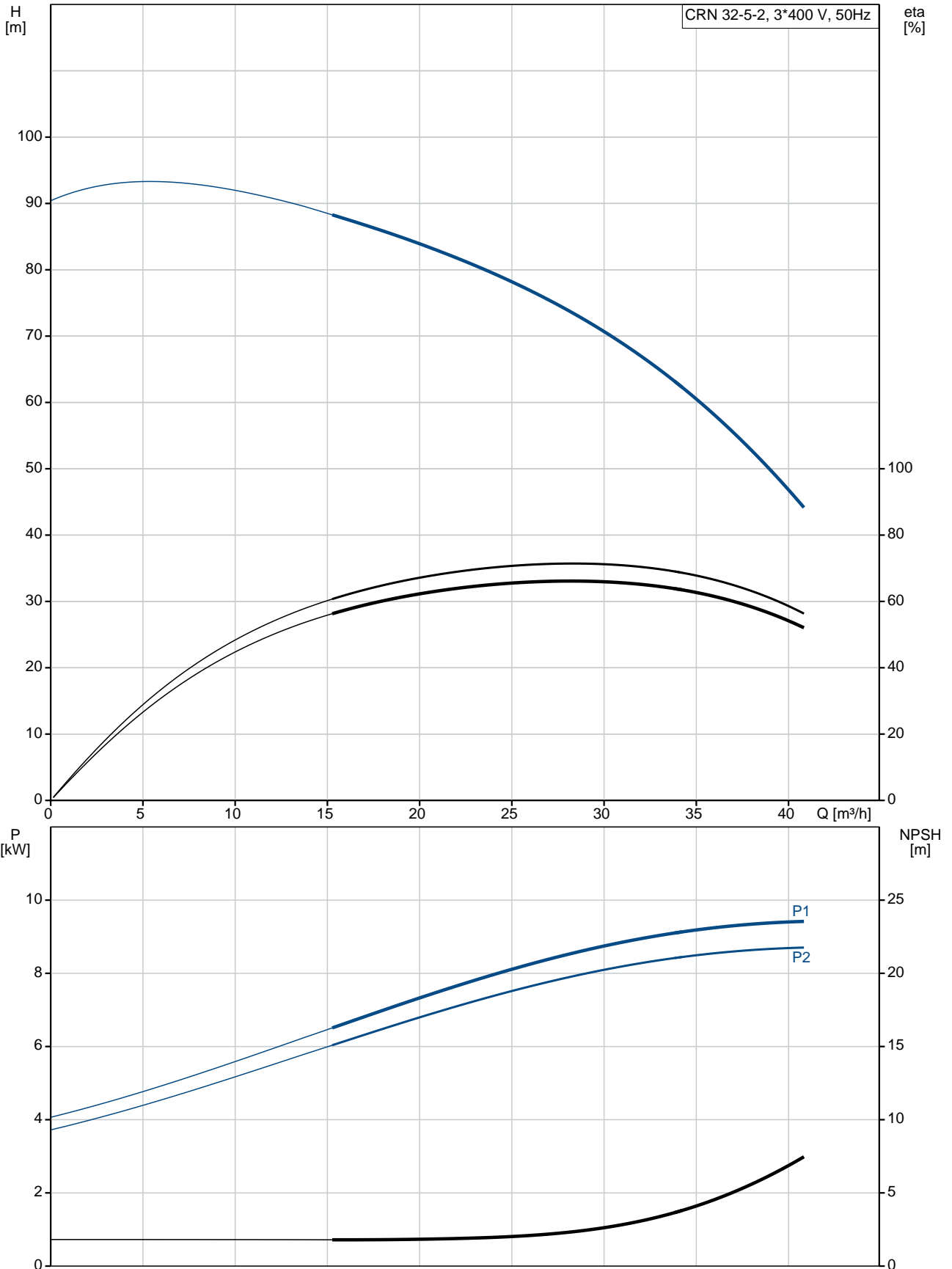


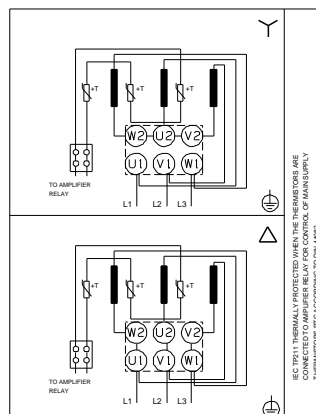
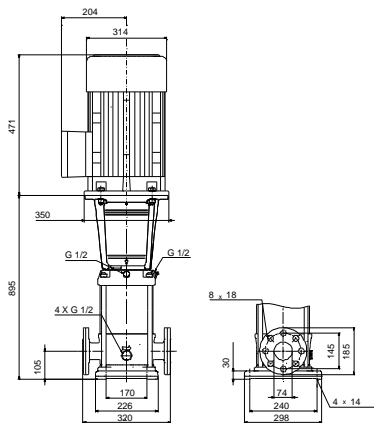
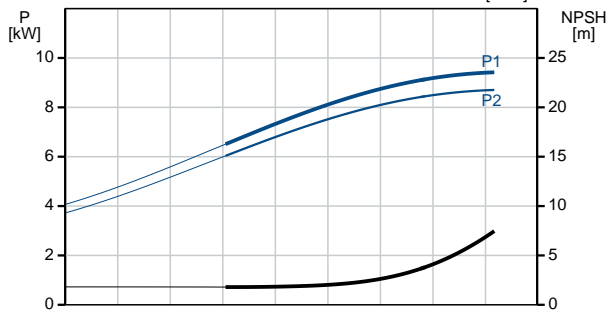
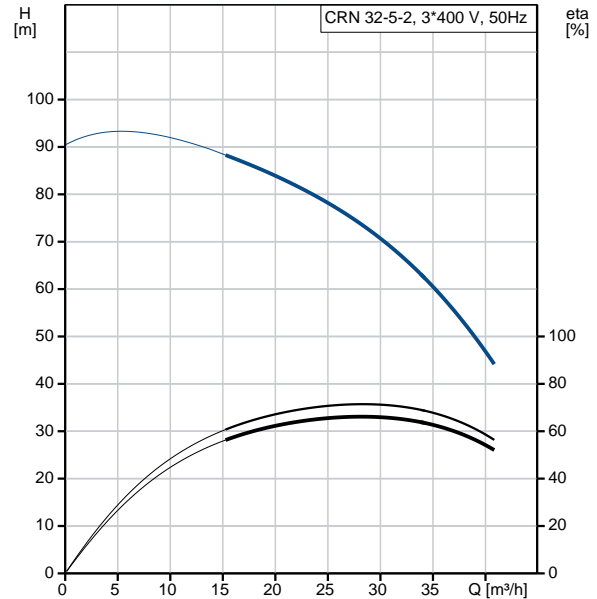
Qty.	Description
1	<p data-bbox="199 338 518 369"><b>CRN 32-5-2 A-F-H-E-HQQE</b></p>  <p data-bbox="199 660 470 689">Product No.: <a href="#">96536133</a></p> <p data-bbox="199 719 1452 824">Vertical, multistage centrifugal pump with inlet and outlet ports on same the level (inline). Pump materials in contact with the liquid are in high-grade stainless steel. A cartridge shaft seal ensures high reliability, safe handling, and easy access and service. Power transmission is via a rigid split coupling. Pipe connection is via DIN flanges.</p> <p data-bbox="199 862 933 891">The pump is fitted with a 3-phase, fan-cooled asynchronous motor.</p> <p data-bbox="199 922 311 952"><b>Controls:</b></p> <p data-bbox="199 952 638 981">Frequency converter: NONE</p> <p data-bbox="199 1012 287 1041"><b>Liquid:</b></p> <p data-bbox="199 1041 638 1070">Pumped liquid: Water</p> <p data-bbox="199 1070 710 1099">Liquid temperature range: -40 .. 120 °C</p> <p data-bbox="199 1099 686 1128">Liquid temperature during operation: 20 °C</p> <p data-bbox="199 1128 702 1158">Density: 998.2 kg/m<sup>3</sup></p> <p data-bbox="199 1189 327 1218"><b>Technical:</b></p> <p data-bbox="199 1218 821 1247">Pump speed on which pump data are based: 2924 rpm</p> <p data-bbox="199 1247 654 1276">Rated flow: 30 m<sup>3</sup>/h</p> <p data-bbox="199 1276 646 1305">Rated head: 69.7 m</p> <p data-bbox="199 1305 646 1335">Pump orientation: Vertical</p> <p data-bbox="199 1335 638 1364">Shaft seal arrangement: Single</p> <p data-bbox="199 1364 638 1393">Code for shaft seal: HQQE</p> <p data-bbox="199 1393 726 1422">Approvals on nameplate: CE, EAC, ACS</p> <p data-bbox="199 1422 766 1451">Curve tolerance: ISO9906:2012 3B</p> <p data-bbox="199 1482 319 1512"><b>Materials:</b></p> <p data-bbox="199 1512 726 1601">Base: Stainless steel EN 1.4408 AISI 316</p> <p data-bbox="199 1601 726 1691">Impeller: Stainless steel EN 1.4401 AISI 316</p> <p data-bbox="199 1691 614 1720">Bearing: SIC</p> <p data-bbox="199 1720 646 1749">Support bearing: Graflon</p> <p data-bbox="199 1780 343 1809"><b>Installation:</b></p> <p data-bbox="199 1809 630 1839">Maximum ambient temperature: 60 °C</p> <p data-bbox="199 1839 638 1868">Maximum operating pressure: 16 bar</p> <p data-bbox="199 1868 742 1897">Max pressure at stated temp: 16 bar / 120 °C</p> <p data-bbox="199 1897 734 1926">16 bar / -40 °C</p> <p data-bbox="199 1926 614 1955">Type of connection: DIN</p> <p data-bbox="199 1955 638 1984">Size of inlet connection: DN 65</p> <p data-bbox="199 1984 638 2013">Size of outlet connection: DN 65</p> <p data-bbox="199 2013 686 2042">Pressure rating for pipe connection: PN 40</p> <p data-bbox="199 2042 638 2072">Flange size for motor: FF300</p>

Qty.	Description
	<p><b>Electrical data:</b></p> <p>Motor standard: IEC</p> <p>Motor type: 160MB</p> <p>IE Efficiency class: IE3</p> <p>Rated power - P2: 11 kW</p> <p>Power (P2) required by pump: 11 kW</p> <p>Mains frequency: 50 Hz</p> <p>Rated voltage: 3 x 380-415D/660-690Y V</p> <p>Rated current: 20,8-19,8/12,0-11,8 A</p> <p>Starting current: 660-780 %</p> <p>Cos phi - power factor: 0.88-0.84</p> <p>Rated speed: 2940-2950 rpm</p> <p>Efficiency: IE3 91,2%</p> <p>Motor efficiency at full load: 91.2-91.2 %</p> <p>Motor efficiency at 3/4 load: 91.8 %</p> <p>Motor efficiency at 1/2 load: 91.3 %</p> <p>Number of poles: 2</p> <p>Enclosure class (IEC 34-5): 55 Dust/Jetting</p> <p>Insulation class (IEC 85): F</p> <p><b>Others:</b></p> <p>Minimum efficiency index, MEI <math>\hat{\alpha}\%</math>: 0.70</p> <p>Net weight: 159 kg</p> <p>Gross weight: 192 kg</p> <p>Shipping volume: 0.495 m<sup>3</sup></p> <p>Country of origin: GB</p> <p>Custom tariff no.: 84137075</p>

## 96536133 CRN 32-5-2 A-F-H-E-HQQE 50 Hz



Description	Value
<b>General information:</b>	
Product name:	CRN 32-5-2 A-F-H-E-HQQE
Product No:	96536133
EAN number:	5700397562444
Price:	5.824,00 GBP
<b>Technical:</b>	
Pump speed on which pump data are based:	2924 rpm
Rated flow:	30 m <sup>3</sup> /h
Rated head:	69.7 m
Head max:	90.2 m
Stages:	5
Impellers:	5
Number of reduced-diameter impellers:	2
Low NPSH:	N
Pump orientation:	Vertical
Shaft seal arrangement:	Single
Code for shaft seal:	HQQE
Approvals on nameplate:	CE, EAC, ACS
Curve tolerance:	ISO9906:2012 3B
Pump version:	A
Model:	B
<b>Materials:</b>	
Base:	Stainless steel EN 1.4408 AISI 316
Impeller:	Stainless steel EN 1.4401 AISI 316
Material code:	H
Code for rubber:	E
Bearing:	SIC
Support bearing:	Graflon
<b>Installation:</b>	
Maximum ambient temperature:	60 °C
Maximum operating pressure:	16 bar
Max pressure at stated temp:	16 bar / 120 °C 16 bar / -40 °C
Type of connection:	DIN
Size of inlet connection:	DN 65
Size of outlet connection:	DN 65
Pressure rating for pipe connection:	PN 40
Flange size for motor:	FF300
Connect code:	F
<b>Liquid:</b>	
Pumped liquid:	Water
Liquid temperature range:	-40 .. 120 °C
Liquid temperature during operation:	20 °C
Density:	998.2 kg/m <sup>3</sup>
<b>Electrical data:</b>	
Motor standard:	IEC
Motor type:	160MB
IE Efficiency class:	IE3
Rated power - P2:	11 kW
Power (P2) required by pump:	11 kW
Mains frequency:	50 Hz
Rated voltage:	3 x 380-415D/660-690Y V





Company name:

Created by:

Phone:

Date:

12/03/2019

Description	Value
Rated current:	20,8-19,8/12,0-11,8 A
Starting current:	660-780 %
Cos phi - power factor:	0.88-0.84
Rated speed:	2940-2950 rpm
Efficiency:	IE3 91,2%
Motor efficiency at full load:	91.2-91.2 %
Motor efficiency at 3/4 load:	91.8 %
Motor efficiency at 1/2 load:	91.3 %
Number of poles:	2
Enclosure class (IEC 34-5):	55 Dust/Jetting
Insulation class (IEC 85):	F
Motor protec:	PTC
Motor No:	85U17524
<b>Controls:</b>	
Frequency converter:	NONE
<b>Others:</b>	
Minimum efficiency index, MEI $\eta_{min}$ :	0.70
Net weight:	159 kg
Gross weight:	192 kg
Shipping volume:	0.495 m <sup>3</sup>
Sales region:	Great Britain
Country of origin:	GB
Custom tariff no.:	84137075

## 96536133 CRN 32-5-2 A-F-H-E-HQQE 50 Hz

