


Qty.	Description
1	<p data-bbox="199 336 502 369"><b>CRN 5-15 A-P-A-E-HQQE</b></p>  <p data-bbox="199 660 470 694">Product No.: <a href="#">96533320</a></p> <p data-bbox="199 716 1460 817">Vertical, multistage centrifugal pump with inlet and outlet ports on same the level (inline). Pump materials in contact with the liquid are in high-grade stainless steel. A cartridge shaft seal ensures high reliability, safe handling, and easy access and service. Power transmission is via a rigid split coupling. Pipe connection is via PJE (Victaulic®) couplings.</p> <p data-bbox="199 862 933 896">The pump is fitted with a 1-phase, fan-cooled asynchronous motor.</p> <p data-bbox="199 918 319 952"><b>Controls:</b></p> <p data-bbox="199 952 638 985">Frequency converter: NONE</p> <p data-bbox="199 1008 295 1041"><b>Liquid:</b></p> <p data-bbox="199 1041 638 1075">Pumped liquid: Water</p> <p data-bbox="199 1075 710 1108">Liquid temperature range: -20 .. 120 °C</p> <p data-bbox="199 1108 694 1142">Liquid temperature during operation: 20 °C</p> <p data-bbox="199 1142 702 1176">Density: 998.2 kg/m<sup>3</sup></p> <p data-bbox="199 1198 327 1232"><b>Technical:</b></p> <p data-bbox="199 1232 821 1265">Pump speed on which pump data are based: 2730 rpm</p> <p data-bbox="199 1265 662 1299">Rated flow: 5.8 m<sup>3</sup>/h</p> <p data-bbox="199 1299 646 1332">Rated head: 67.5 m</p> <p data-bbox="199 1332 646 1366">Pump orientation: Vertical</p> <p data-bbox="199 1366 638 1400">Shaft seal arrangement: Single</p> <p data-bbox="199 1400 638 1433">Code for shaft seal: HQQE</p> <p data-bbox="199 1433 726 1467">Approvals on nameplate: CE, EAC, ACS</p> <p data-bbox="199 1467 766 1500">Curve tolerance: ISO9906:2012 3B</p> <p data-bbox="199 1523 327 1556"><b>Materials:</b></p> <p data-bbox="199 1556 726 1590">Base: Stainless steel</p> <p data-bbox="566 1590 686 1624">EN 1.4408</p> <p data-bbox="566 1624 662 1657">AISI 316</p> <p data-bbox="199 1657 726 1691">Impeller: Stainless steel</p> <p data-bbox="566 1691 686 1724">EN 1.4401</p> <p data-bbox="566 1724 662 1758">AISI 316</p> <p data-bbox="199 1758 614 1792">Bearing: SIC</p> <p data-bbox="199 1814 343 1848"><b>Installation:</b></p> <p data-bbox="199 1848 630 1881">Maximum ambient temperature: 40 °C</p> <p data-bbox="199 1881 638 1915">Maximum operating pressure: 25 bar</p> <p data-bbox="199 1915 742 1948">Max pressure at stated temp: 25 bar / 120 °C</p> <p data-bbox="566 1948 742 1982">25 bar / -20 °C</p> <p data-bbox="199 1982 614 2016">Type of connection: PJE</p> <p data-bbox="199 2016 638 2049">Size of inlet connection: DN 32</p> <p data-bbox="566 2049 678 2083">1 1/4 inch</p> <p data-bbox="199 2083 638 2116">Size of outlet connection: DN 32</p> <p data-bbox="566 2116 678 2150">1 1/4 inch</p> <p data-bbox="199 2150 686 2184">Pressure rating for pipe connection: PN 50</p> <p data-bbox="199 2184 638 2217">Flange size for motor: FT115</p>

Qty.	Description
------	-------------

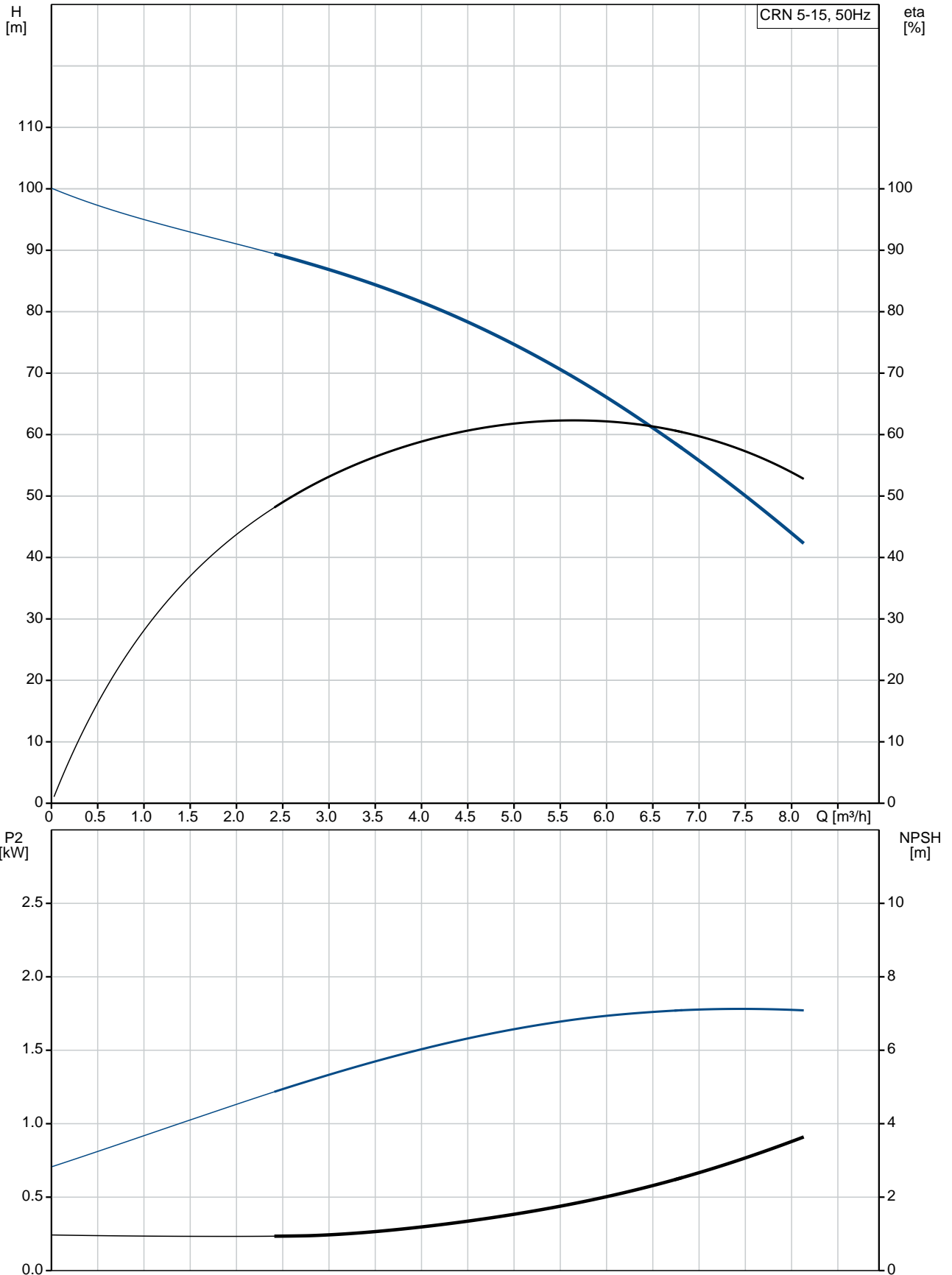
**Electrical data:**

Motor standard:	IEC
Motor type:	90LC
Rated power - P2:	2.2 kW
Power (P2) required by pump:	2.2 kW
Mains frequency:	50 Hz
Rated voltage:	1 x 220-230/240 V
Rated current:	14,0-13,6/12,6 A
Starting current:	330 %
Cos phi - power factor:	1.00
Rated speed:	2730/2720 rpm
Motor efficiency at full load:	75 %
Number of poles:	2
Enclosure class (IEC 34-5):	55 Dust/Jetting
Insulation class (IEC 85):	F

**Others:**

Minimum efficiency index, MEI $\eta_{min}$ :	0.57
Net weight:	41.9 kg
Gross weight:	44.8 kg
Shipping volume:	0.13 m <sup>3</sup>
Country of origin:	HU
Custom tariff no.:	84137075

## 96533320 CRN 5-15 A-P-A-E-HQQE 50 Hz



Description	Value
-------------	-------

**General information:**

Product name: CRN 5-15  
A-P-A-E-HQQE  
Product No: 96533320  
EAN number: 5700397446966  
Price: 1.773,00 GBP

**Technical:**

Pump speed on which pump data are based: 2730 rpm  
Rated flow: 5.8 m<sup>3</sup>/h  
Rated head: 67.5 m  
Head max: 99 m  
Stages: 15  
Impellers: 15  
Number of reduced-diameter impellers: 0  
Low NPSH: N  
Pump orientation: Vertical  
Shaft seal arrangement: Single  
Code for shaft seal: HQQE  
Approvals on nameplate: CE, EAC, ACS  
Curve tolerance: ISO9906:2012 3B  
Pump version: A  
Model: A

**Materials:**

Base: Stainless steel  
EN 1.4408  
AISI 316  
Impeller: Stainless steel  
EN 1.4401  
AISI 316

Material code: A  
Code for rubber: E  
Bearing: SIC

**Installation:**

Maximum ambient temperature: 40 °C  
Maximum operating pressure: 25 bar  
Max pressure at stated temp: 25 bar / 120 °C  
25 bar / -20 °C

Type of connection: PJE  
Size of inlet connection: DN 32  
1 1/4 inch  
Size of outlet connection: DN 32  
1 1/4 inch

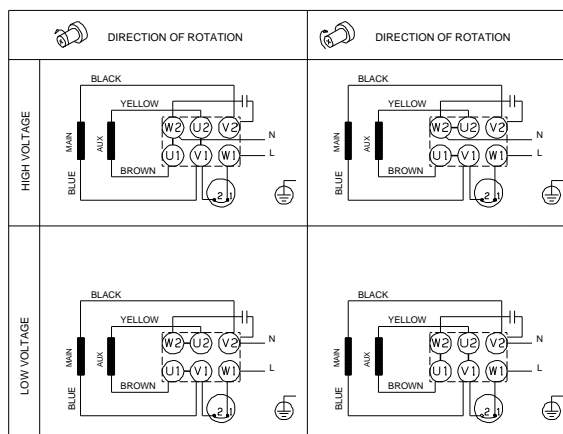
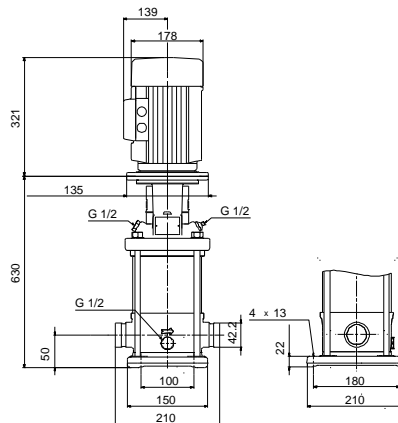
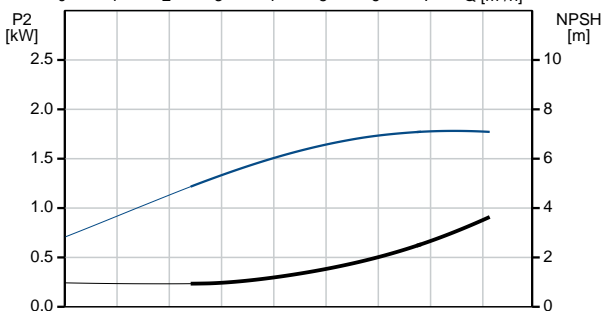
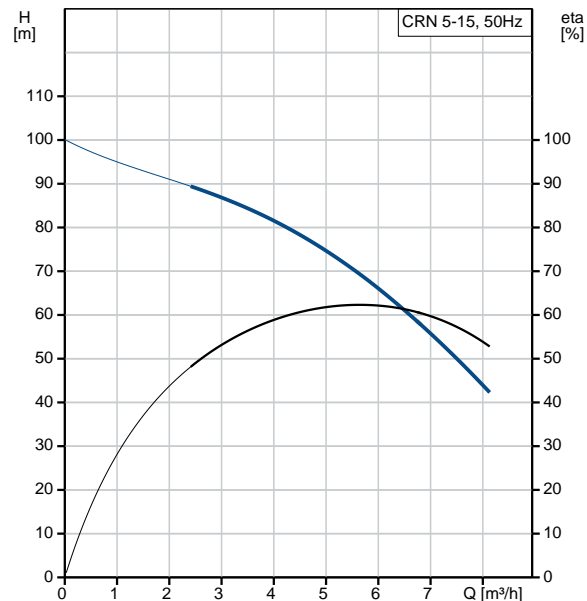
Pressure rating for pipe connection: PN 50  
Flange size for motor: FT115  
Connect code: P

**Liquid:**

Pumped liquid: Water  
Liquid temperature range: -20 .. 120 °C  
Liquid temperature during operation: 20 °C  
Density: 998.2 kg/m<sup>3</sup>

**Electrical data:**

Motor standard: IEC  
Motor type: 90LC  
Rated power - P2: 2.2 kW  
Power (P2) required by pump: 2.2 kW  
Mains frequency: 50 Hz  
Rated voltage: 1 x 220-230/240 V  
Rated current: 14,0-13,6/12,6 A





Company name:

Created by:

Phone:

Date:

07/03/2019

Description	Value
Starting current:	330 %
Cos phi - power factor:	1.00
Rated speed:	2730/2720 rpm
Motor efficiency at full load:	75 %
Number of poles:	2
Enclosure class (IEC 34-5):	55 Dust/Jetting
Insulation class (IEC 85):	F
Motor protec:	PTO
Motor No:	85215708
<b>Controls:</b>	
Frequency converter:	NONE
<b>Others:</b>	
Minimum efficiency index, MEI %:	0.57
Net weight:	41.9 kg
Gross weight:	44.8 kg
Shipping volume:	0.13 m <sup>3</sup>
Sales region:	GB
Country of origin:	HU
Custom tariff no.:	84137075