

Qty. Description

1 CRN 5-8 A-P-A-E-HQQE



Product No.: [96533313](#)

Vertical, multistage centrifugal pump with inlet and outlet ports on same the level (inline). Pump materials in contact with the liquid are in high-grade stainless steel. A cartridge shaft seal ensures high reliability, safe handling, and easy access and service. Power transmission is via a rigid split coupling. Pipe connection is via PJE (Victaulic®) couplings.

The pump is fitted with a 1-phase, fan-cooled asynchronous motor.

Controls:

Frequency converter: NONE

Liquid:

Pumped liquid: Water
 Liquid temperature range: -20 .. 120 °C
 Liquid temperature during operation: 20 °C
 Density: 998.2 kg/m³

Technical:

Pump speed on which pump data are based: 2789 rpm
 Rated flow: 5.8 m³/h
 Rated head: 37.8 m
 Pump orientation: Vertical
 Shaft seal arrangement: Single
 Code for shaft seal: HQQE
 Approvals on nameplate: CE, EAC, ACS
 Curve tolerance: ISO9906:2012 3B

Materials:

Base: Stainless steel
 EN 1.4408
 AISI 316
 Impeller: Stainless steel
 EN 1.4401
 AISI 316
 Bearing: SIC

Installation:

Maximum ambient temperature: 40 °C
 Maximum operating pressure: 25 bar
 Max pressure at stated temp: 25 bar / 120 °C
 25 bar / -20 °C
 Type of connection: PJE
 Size of inlet connection: DN 32
 1 1/4 inch
 Size of outlet connection: DN 32
 1 1/4 inch
 Pressure rating for pipe connection: PN 50
 Flange size for motor: FT115

| Qty. | Description |
|------|-------------|
|------|-------------|

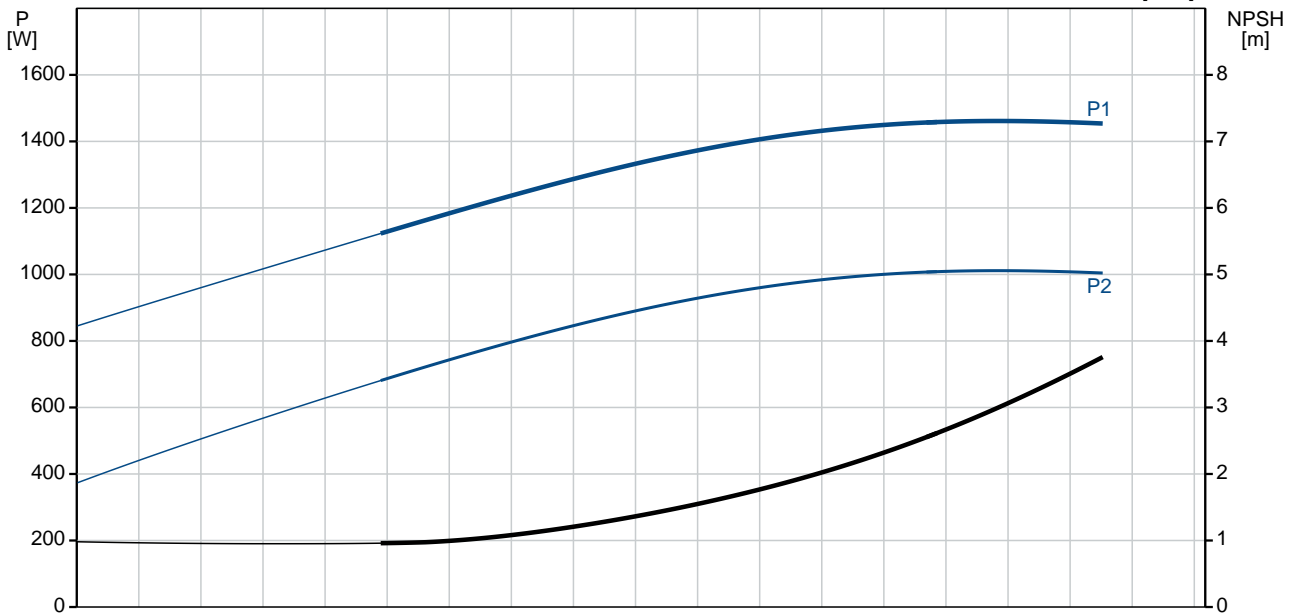
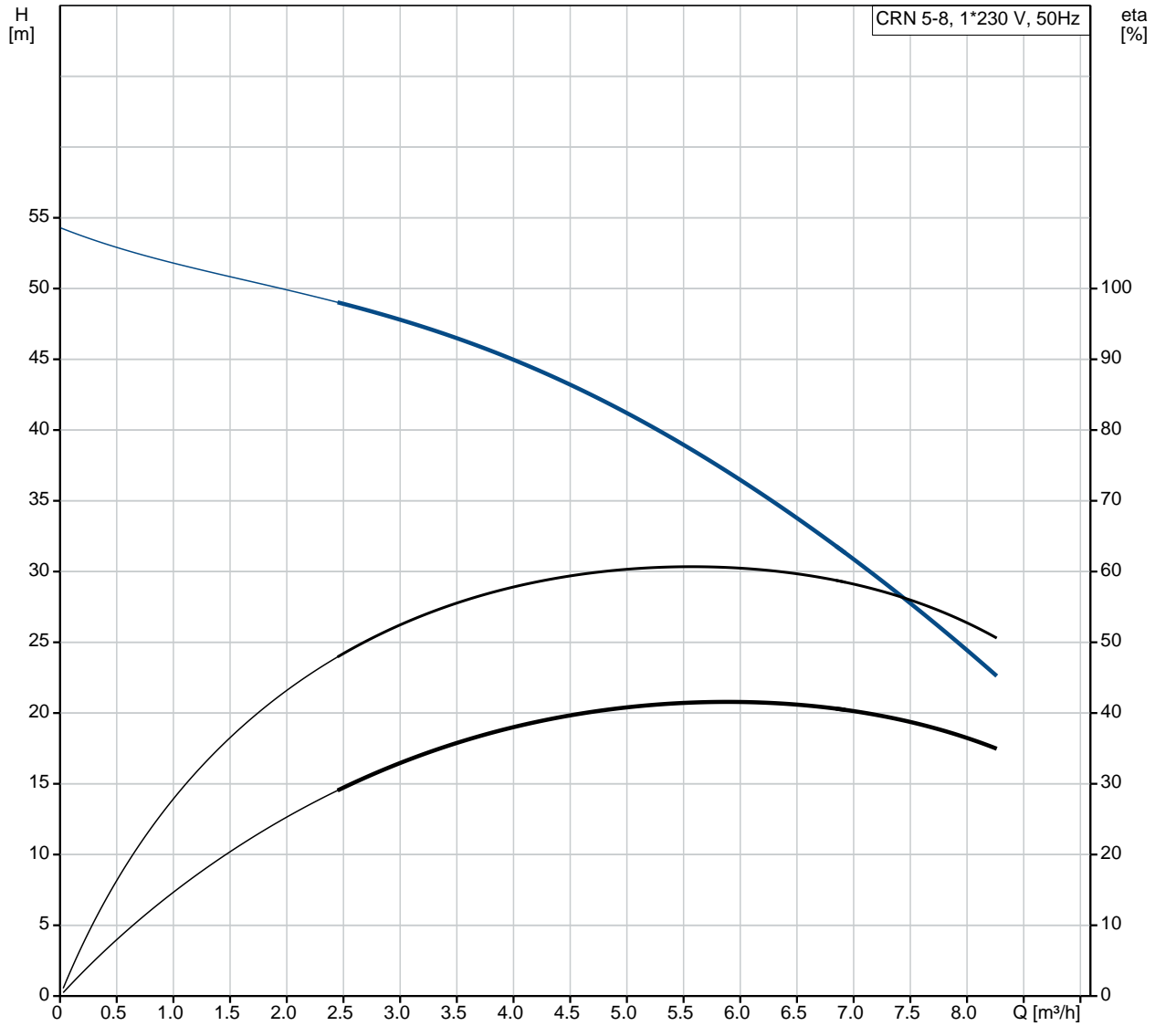
Electrical data:

| | |
|--------------------------------|-------------------|
| Motor standard: | IEC |
| Motor type: | 90SB |
| Rated power - P2: | 1.1 kW |
| Power (P2) required by pump: | 1.1 kW |
| Mains frequency: | 50 Hz |
| Rated voltage: | 1 x 220-230/240 V |
| Rated current: | 7.40/6.70 A |
| Starting current: | 390 % |
| Cos phi - power factor: | 0.98/0.99 |
| Rated speed: | 2770 rpm |
| Motor efficiency at full load: | 73-71 % |
| Number of poles: | 2 |
| Enclosure class (IEC 34-5): | 55 Dust/Jetting |
| Insulation class (IEC 85): | F |

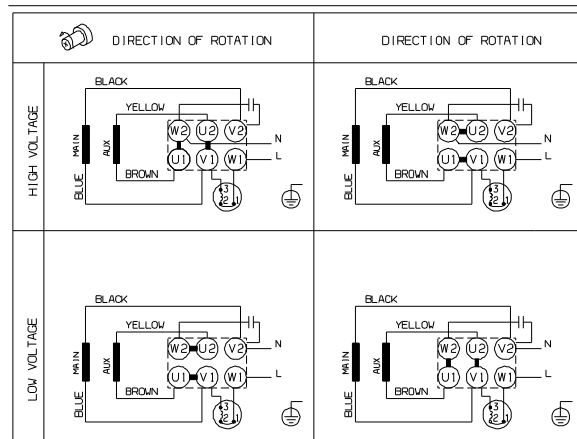
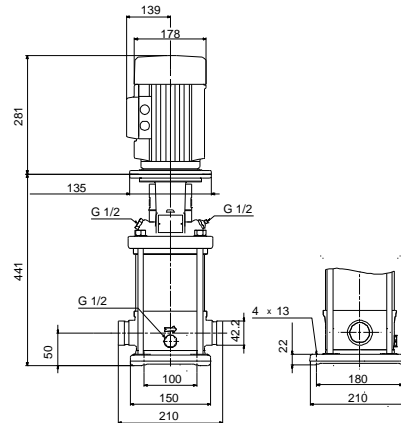
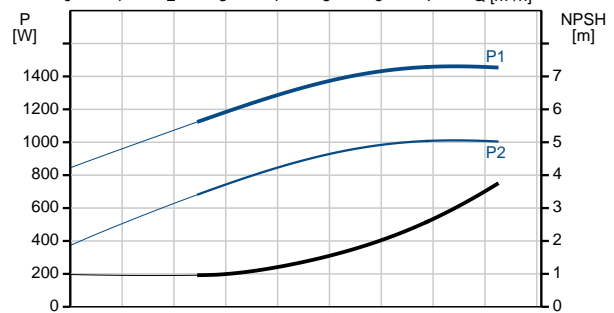
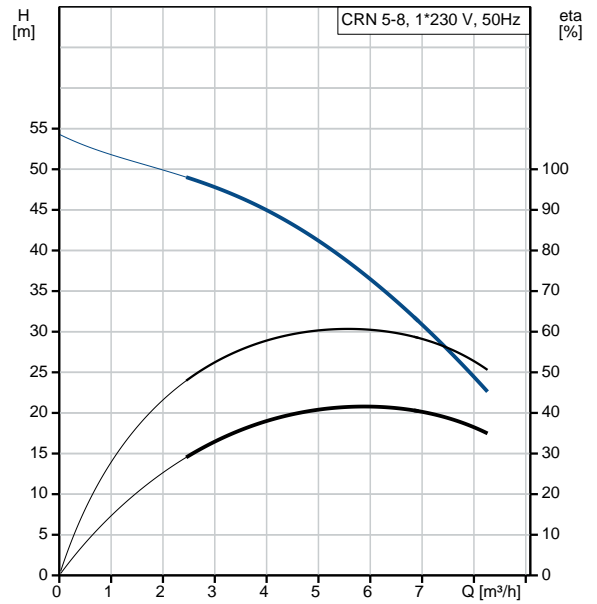
Others:

| | |
|---|----------------------|
| Minimum efficiency index, MEI $\eta_{\%}$: | 0.57 |
| Net weight: | 32.4 kg |
| Gross weight: | 36.5 kg |
| Shipping volume: | 0.092 m ³ |
| Country of origin: | GB |
| Custom tariff no.: | 84137075 |

96533313 CRN 5-8 A-P-A-E-HQQE 50 Hz



| Description | Value |
|--|--|
| General information: | |
| Product name: | CRN 5-8 A-P-A-E-HQQE |
| Product No: | 96533313 |
| EAN number: | 5700397446898 |
| Price: | 1.213,00 GBP |
| Technical: | |
| Pump speed on which pump data are based: | 2789 rpm |
| Rated flow: | 5.8 m ³ /h |
| Rated head: | 37.8 m |
| Head max: | 54 m |
| Stages: | 8 |
| Impellers: | 8 |
| Number of reduced-diameter impellers: | 0 |
| Low NPSH: | N |
| Pump orientation: | Vertical |
| Shaft seal arrangement: | Single |
| Code for shaft seal: | HQQE |
| Approvals on nameplate: | CE, EAC, ACS |
| Curve tolerance: | ISO9906:2012 3B |
| Pump version: | A |
| Model: | A |
| Materials: | |
| Base: | Stainless steel EN 1.4408 AISI 316 |
| Impeller: | Stainless steel EN 1.4401 AISI 316 |
| Material code: | A |
| Code for rubber: | E |
| Bearing: | SIC |
| Installation: | |
| Maximum ambient temperature: | 40 °C |
| Maximum operating pressure: | 25 bar |
| Max pressure at stated temp: | 25 bar / 120 °C 25 bar / -20 °C |
| Type of connection: | PJE |
| Size of inlet connection: | DN 32 1 1/4 inch |
| Size of outlet connection: | DN 32 1 1/4 inch |
| Pressure rating for pipe connection: | PN 50 |
| Flange size for motor: | FT115 |
| Connect code: | P |
| Liquid: | |
| Pumped liquid: | Water |
| Liquid temperature range: | -20 .. 120 °C |
| Liquid temperature during operation: | 20 °C |
| Density: | 998.2 kg/m ³ |
| Electrical data: | |
| Motor standard: | IEC |
| Motor type: | 90SB |
| Rated power - P2: | 1.1 kW |
| Power (P2) required by pump: | 1.1 kW |
| Mains frequency: | 50 Hz |
| Rated voltage: | 1 x 220-230/240 V |
| Rated current: | 7.40/6.70 A |





Company name:

Created by:

Phone:

Date:

07/03/2019

| Description | Value |
|----------------------------------|----------------------|
| Starting current: | 390 % |
| Cos phi - power factor: | 0.98/0.99 |
| Rated speed: | 2770 rpm |
| Motor efficiency at full load: | 73-71 % |
| Number of poles: | 2 |
| Enclosure class (IEC 34-5): | 55 Dust/Jetting |
| Insulation class (IEC 85): | F |
| Motor protec: | PTO |
| Motor No: | 85215705 |
| Controls: | |
| Frequency converter: | NONE |
| Others: | |
| Minimum efficiency index, MEI %: | 0.57 |
| Net weight: | 32.4 kg |
| Gross weight: | 36.5 kg |
| Shipping volume: | 0.092 m ³ |
| Sales region: | GB |
| Country of origin: | GB |
| Custom tariff no.: | 84137075 |

96533313 CRN 5-8 A-P-A-E-HQQE 50 Hz

