

**Qty. Description**

1 CRN 5-4 A-P-A-E-HQQE



Product No.: [96533309](#)

Vertical, multistage centrifugal pump with inlet and outlet ports on same the level (inline). Pump materials in contact with the liquid are in high-grade stainless steel. A cartridge shaft seal ensures high reliability, safe handling, and easy access and service. Power transmission is via a rigid split coupling. Pipe connection is via PJE (Victaulic®) couplings.

The pump is fitted with a 1-phase, fan-cooled asynchronous motor.

**Controls:**

Frequency converter: NONE

**Liquid:**

Pumped liquid: Water  
 Liquid temperature range: -20 .. 120 °C  
 Liquid temperature during operation: 20 °C  
 Density: 998.2 kg/m<sup>3</sup>

**Technical:**

Pump speed on which pump data are based: 2750 rpm  
 Rated flow: 5.8 m<sup>3</sup>/h  
 Rated head: 17.4 m  
 Pump orientation: Vertical  
 Shaft seal arrangement: Single  
 Code for shaft seal: HQQE  
 Approvals on nameplate: CE, EAC, ACS  
 Curve tolerance: ISO9906:2012 3B

**Materials:**

Base: Stainless steel  
 EN 1.4408  
 AISI 316  
 Impeller: Stainless steel  
 EN 1.4401  
 AISI 316  
 Bearing: SIC

**Installation:**

Maximum ambient temperature: 40 °C  
 Maximum operating pressure: 25 bar  
 Max pressure at stated temp: 25 bar / 120 °C  
 25 bar / -20 °C  
 Type of connection: PJE  
 Size of inlet connection: DN 32  
 1 1/4 inch  
 Size of outlet connection: DN 32  
 1 1/4 inch  
 Pressure rating for pipe connection: PN 50  
 Flange size for motor: FT100

| Qty. | Description |
|------|-------------|
|------|-------------|

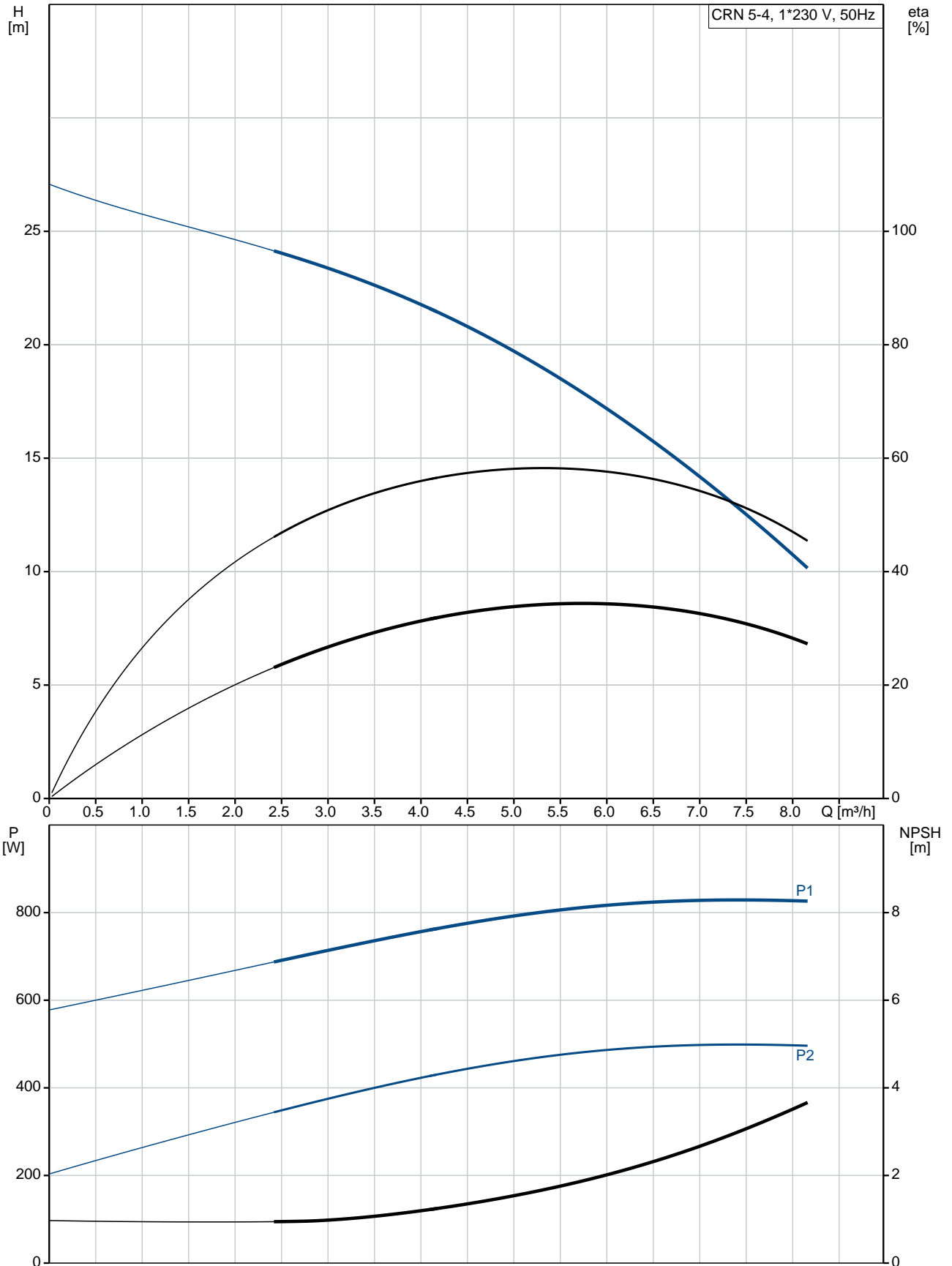
**Electrical data:**

|                                |                   |
|--------------------------------|-------------------|
| Motor standard:                | IEC               |
| Motor type:                    | 80A               |
| Rated power - P2:              | 0.55 kW           |
| Power (P2) required by pump:   | 0.55 kW           |
| Mains frequency:               | 50 Hz             |
| Rated voltage:                 | 1 x 220-230/240 V |
| Rated current:                 | 4.00/3.65 A       |
| Starting current:              | 280 %             |
| Cos phi - power factor:        | 0.99              |
| Rated speed:                   | 2750 rpm          |
| Motor efficiency at full load: | 66-64 %           |
| Number of poles:               | 2                 |
| Enclosure class (IEC 34-5):    | 55 Dust/Jetting   |
| Insulation class (IEC 85):     | F                 |

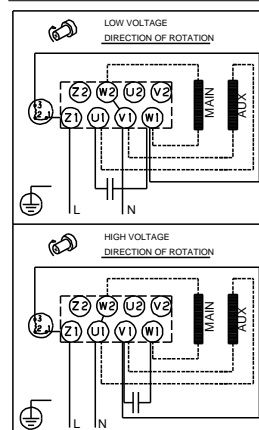
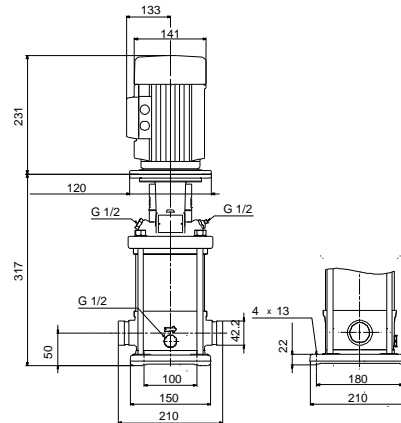
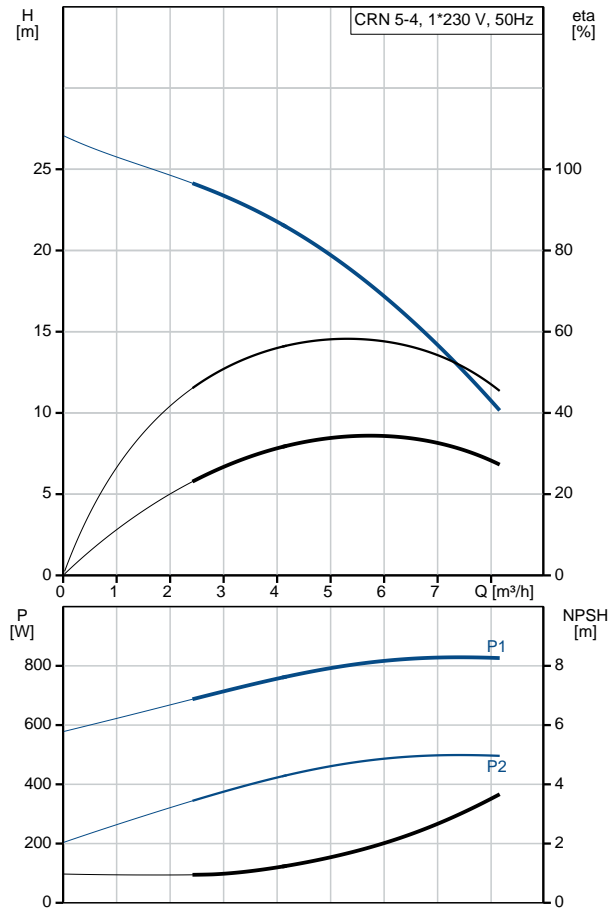
**Others:**

|  |                      |
|--|----------------------|
| Minimum efficiency index, MEI $\eta_{min}$ : | 0.57                 |
| Net weight:                                  | 20.7 kg              |
| Gross weight:                                | 23.4 kg              |
| Shipping volume:                             | 0.063 m <sup>3</sup> |
| Country of origin:                           | GB                   |
| Custom tariff no.:                           | 84137075             |

## 96533309 CRN 5-4 A-P-A-E-HQQE 50 Hz



| Description                              | Value                                    |
|--|--|
| <b>General information:</b>              |  |
| Product name:                            | CRN 5-4<br>A-P-A-E-HQQE                  |
| Product No:                              | 96533309                                 |
| EAN number:                              | 5700397446850                            |
| Price:                                   | 946,00 GBP                               |
| <b>Technical:</b>                        |  |
| Pump speed on which pump data are based: | 2750 rpm                                 |
| Rated flow:                              | 5.8 m <sup>3</sup> /h                    |
| Rated head:                              | 17.4 m                                   |
| Head max:                                | 26.3 m                                   |
| Stages:                                  | 4  |
| Impellers:                               | 4  |
| Number of reduced-diameter impellers:    | 0  |
| Low NPSH:                                | N  |
| Pump orientation:                        | Vertical                                 |
| Shaft seal arrangement:                  | Single                                   |
| Code for shaft seal:                     | HQQE                                     |
| Approvals on nameplate:                  | CE, EAC, ACS                             |
| Curve tolerance:                         | ISO9906:2012 3B                          |
| Pump version:                            | A  |
| Model:                                   | A  |
| <b>Materials:</b>                        |  |
| Base:                                    | Stainless steel<br>EN 1.4408<br>AISI 316 |
| Impeller:                                | Stainless steel<br>EN 1.4401<br>AISI 316 |
| Material code:                           | A  |
| Code for rubber:                         | E  |
| Bearing:                                 | SIC                                      |
| <b>Installation:</b>                     |  |
| Maximum ambient temperature:             | 40 °C                                    |
| Maximum operating pressure:              | 25 bar                                   |
| Max pressure at stated temp:             | 25 bar / 120 °C<br>25 bar / -20 °C       |
| Type of connection:                      | PJE                                      |
| Size of inlet connection:                | DN 32<br>1 1/4 inch                      |
| Size of outlet connection:               | DN 32<br>1 1/4 inch                      |
| Pressure rating for pipe connection:     | PN 50                                    |
| Flange size for motor:                   | FT100                                    |
| Connect code:                            | P  |
| <b>Liquid:</b>                           |  |
| Pumped liquid:                           | Water                                    |
| Liquid temperature range:                | -20 .. 120 °C                            |
| Liquid temperature during operation:     | 20 °C                                    |
| Density:                                 | 998.2 kg/m <sup>3</sup>                  |
| <b>Electrical data:</b>                  |  |
| Motor standard:                          | IEC                                      |
| Motor type:                              | 80A                                      |
| Rated power - P2:                        | 0.55 kW                                  |
| Power (P2) required by pump:             | 0.55 kW                                  |
| Mains frequency:                         | 50 Hz                                    |
| Rated voltage:                           | 1 x 220-230/240 V                        |
| Rated current:                           | 4.00/3.65 A                              |





Company name:

Created by:

Phone:

Date:

07/03/2019

| Description                      | Value                |
|----------------------------------|----------------------|
| Starting current:                | 280 %                |
| Cos phi - power factor:          | 0.99                 |
| Rated speed:                     | 2750 rpm             |
| Motor efficiency at full load:   | 66-64 %              |
| Number of poles:                 | 2                    |
| Enclosure class (IEC 34-5):      | 55 Dust/Jetting      |
| Insulation class (IEC 85):       | F                    |
| Motor protec:                    | PTO                  |
| Motor No:                        | 85215103             |
| <b>Controls:</b>                 |                      |
| Frequency converter:             | NONE                 |
| <b>Others:</b>                   |                      |
| Minimum efficiency index, MEI %: | 0.57                 |
| Net weight:                      | 20.7 kg              |
| Gross weight:                    | 23.4 kg              |
| Shipping volume:                 | 0.063 m <sup>3</sup> |
| Sales region:                    | GB                   |
| Country of origin:               | GB                   |
| Custom tariff no.:               | 84137075             |

## 96533309 CRN 5-4 A-P-A-E-HQQE 50 Hz

