
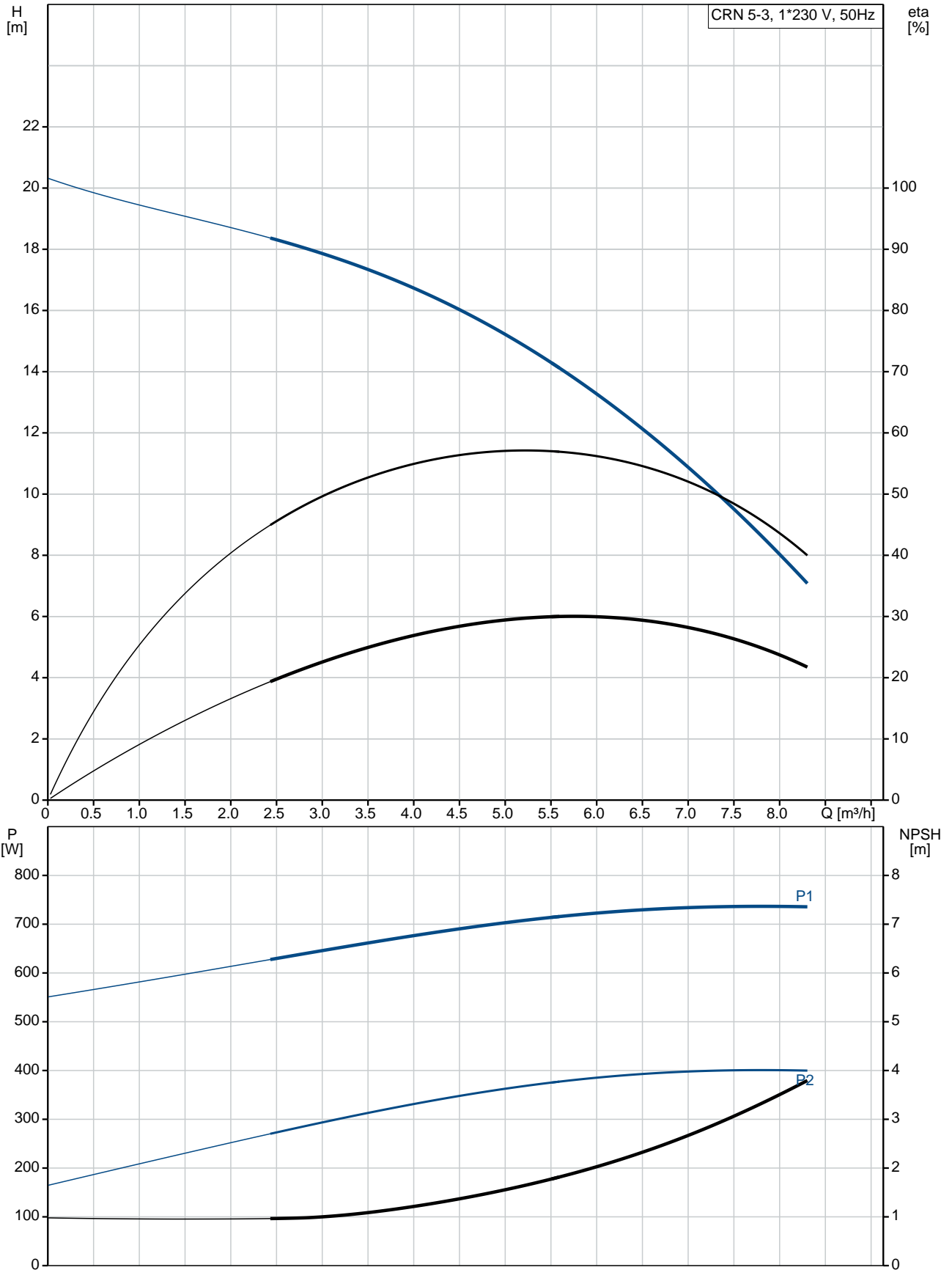


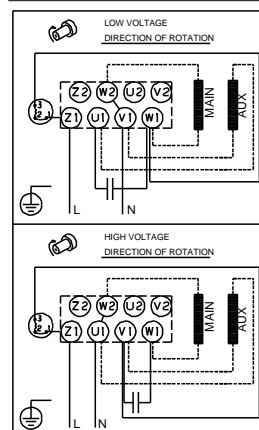
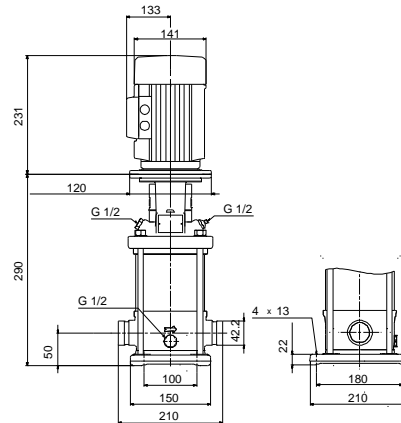
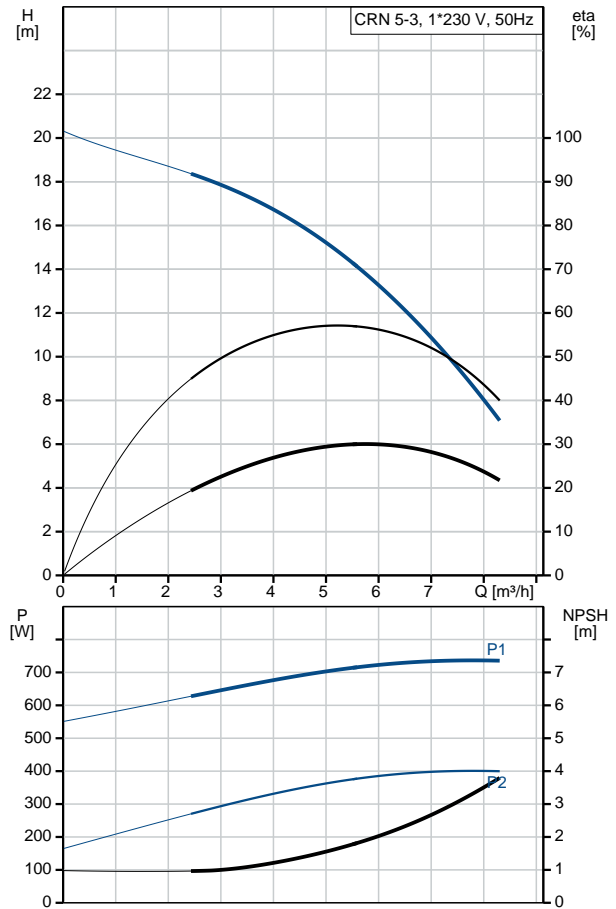
| Qty. | Description |
|------|--|
| 1 | <p data-bbox="199 338 483 369">CRN 5-3 A-P-A-E-HQQE</p>  <p data-bbox="199 660 469 689">Product No.: 96533308</p> <p data-bbox="199 719 1453 824">Vertical, multistage centrifugal pump with inlet and outlet ports on same the level (inline). Pump materials in contact with the liquid are in high-grade stainless steel. A cartridge shaft seal ensures high reliability, safe handling, and easy access and service. Power transmission is via a rigid split coupling. Pipe connection is via PJE (Victaulic®) couplings.</p> <p data-bbox="199 862 935 891">The pump is fitted with a 1-phase, fan-cooled asynchronous motor.</p> <p data-bbox="199 922 316 952">Controls:</p> <p data-bbox="199 952 638 981">Frequency converter: NONE</p> <p data-bbox="199 1012 288 1041">Liquid:</p> <p data-bbox="199 1041 707 1160">Pumped liquid: Water Liquid temperature range: -20 .. 120 °C Liquid temperature during operation: 20 °C Density: 998.2 kg/m³</p> <p data-bbox="199 1191 328 1220">Technical:</p> <p data-bbox="199 1220 820 1456">Pump speed on which pump data are based: 2750 rpm Rated flow: 5.8 m³/h Rated head: 13.4 m Pump orientation: Vertical Shaft seal arrangement: Single Code for shaft seal: HQQE Approvals on nameplate: CE, EAC, ACS Curve tolerance: ISO9906:2012 3B</p> <p data-bbox="199 1487 320 1516">Materials:</p> <p data-bbox="199 1516 727 1722">Base: Stainless steel EN 1.4408 AISI 316 Impeller: Stainless steel EN 1.4401 AISI 316 Bearing: SIC</p> <p data-bbox="199 1753 344 1783">Installation:</p> <p data-bbox="199 1783 742 2107">Maximum ambient temperature: 40 °C Maximum operating pressure: 25 bar Max pressure at stated temp: 25 bar / 120 °C 25 bar / -20 °C Type of connection: PJE Size of inlet connection: DN 32 1 1/4 inch Size of outlet connection: DN 32 1 1/4 inch Pressure rating for pipe connection: PN 50 Flange size for motor: FT100</p> |

| Qty. | Description |
|------|---|
| | <p>Electrical data:</p> <p>Motor standard: IEC Motor type: 80A Rated power - P2: 0.55 kW Power (P2) required by pump: 0.55 kW Mains frequency: 50 Hz Rated voltage: 1 x 220-230/240 V Rated current: 4.00/3.65 A Starting current: 280 % Cos phi - power factor: 0.99 Rated speed: 2750 rpm Motor efficiency at full load: 66-64 % Number of poles: 2 Enclosure class (IEC 34-5): 55 Dust/Jetting Insulation class (IEC 85): F</p> <p>Others:</p> <p>Minimum efficiency index, MEI η_{min}: 0.57 Net weight: 20.1 kg Gross weight: 22.9 kg Shipping volume: 0.063 m³ Country of origin: GB Custom tariff no.: 84137075</p> |

96533308 CRN 5-3 A-P-A-E-HQQE 50 Hz



| Description | Value |
|--|--|
| General information: | |
| Product name: | CRN 5-3 A-P-A-E-HQQE |
| Product No: | 96533308 |
| EAN number: | 5700397445020 |
| Price: | 883,00 GBP |
| Technical: | |
| Pump speed on which pump data are based: | 2750 rpm |
| Rated flow: | 5.8 m³/h |
| Rated head: | 13.4 m |
| Head max: | 20.4 m |
| Stages: | 3 |
| Impellers: | 3 |
| Number of reduced-diameter impellers: | 0 |
| Low NPSH: | N |
| Pump orientation: | Vertical |
| Shaft seal arrangement: | Single |
| Code for shaft seal: | HQQE |
| Approvals on nameplate: | CE, EAC, ACS |
| Curve tolerance: | ISO9906:2012 3B |
| Pump version: | A |
| Model: | A |
| Materials: | |
| Base: | Stainless steel EN 1.4408 AISI 316 |
| Impeller: | Stainless steel EN 1.4401 AISI 316 |
| Material code: | A |
| Code for rubber: | E |
| Bearing: | SIC |
| Installation: | |
| Maximum ambient temperature: | 40 °C |
| Maximum operating pressure: | 25 bar |
| Max pressure at stated temp: | 25 bar / 120 °C 25 bar / -20 °C |
| Type of connection: | PJE |
| Size of inlet connection: | DN 32 1 1/4 inch |
| Size of outlet connection: | DN 32 1 1/4 inch |
| Pressure rating for pipe connection: | PN 50 |
| Flange size for motor: | FT100 |
| Connect code: | P |
| Liquid: | |
| Pumped liquid: | Water |
| Liquid temperature range: | -20 .. 120 °C |
| Liquid temperature during operation: | 20 °C |
| Density: | 998.2 kg/m³ |
| Electrical data: | |
| Motor standard: | IEC |
| Motor type: | 80A |
| Rated power - P2: | 0.55 kW |
| Power (P2) required by pump: | 0.55 kW |
| Mains frequency: | 50 Hz |
| Rated voltage: | 1 x 220-230/240 V |
| Rated current: | 4.00/3.65 A |





Company name:

Created by:

Phone:

Date:

07/03/2019

| Description | Value |
|----------------------------------|----------------------|
| Starting current: | 280 % |
| Cos phi - power factor: | 0.99 |
| Rated speed: | 2750 rpm |
| Motor efficiency at full load: | 66-64 % |
| Number of poles: | 2 |
| Enclosure class (IEC 34-5): | 55 Dust/Jetting |
| Insulation class (IEC 85): | F |
| Motor protec: | PTO |
| Motor No: | 85215103 |
| Controls: | |
| Frequency converter: | NONE |
| Others: | |
| Minimum efficiency index, MEI %: | 0.57 |
| Net weight: | 20.1 kg |
| Gross weight: | 22.9 kg |
| Shipping volume: | 0.063 m ³ |
| Sales region: | GB |
| Country of origin: | GB |
| Custom tariff no.: | 84137075 |

96533308 CRN 5-3 A-P-A-E-HQQE 50 Hz

