
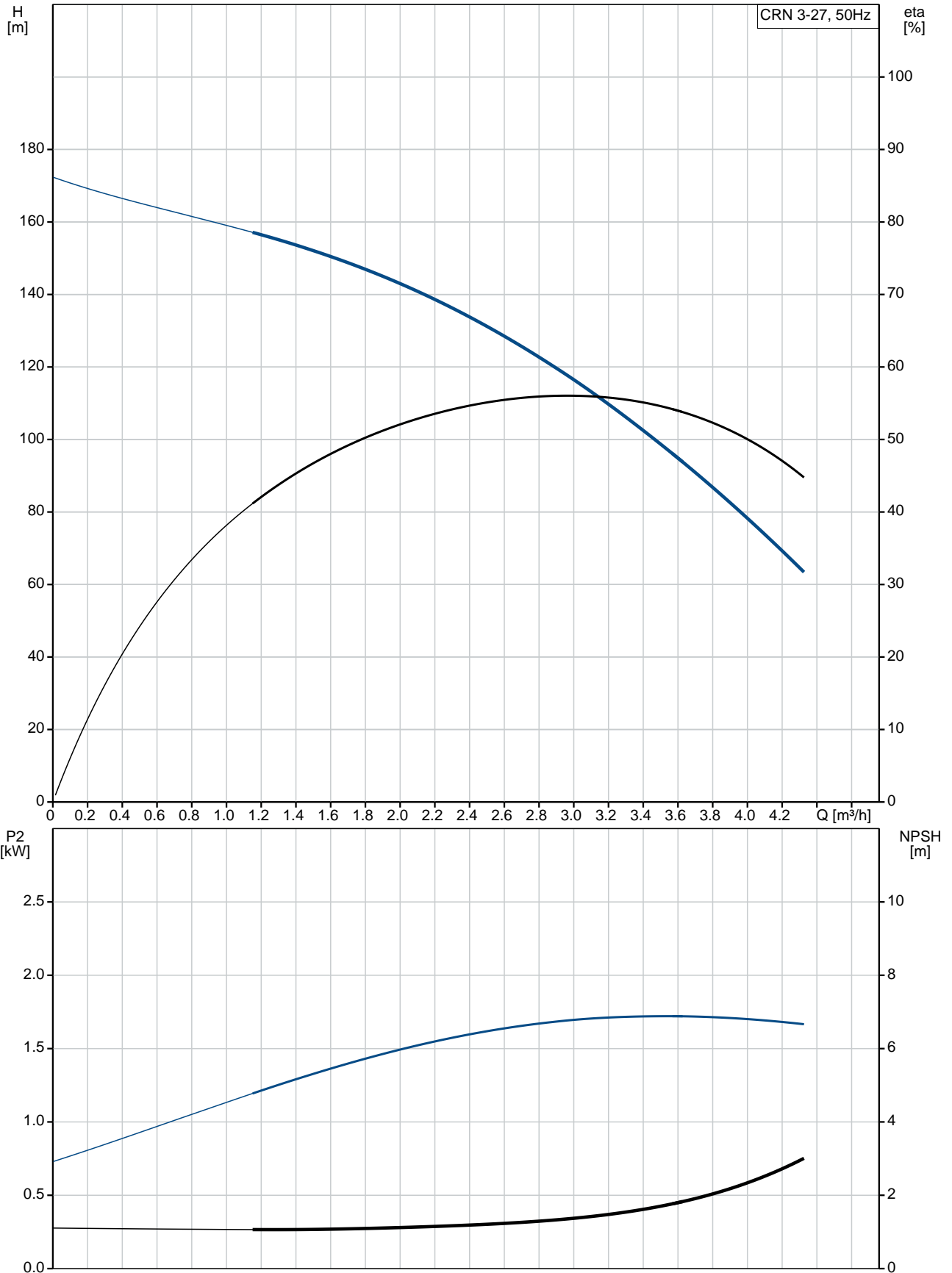


Qty.	Description
1	<p data-bbox="199 338 497 367">CRN 3-27 A-P-A-E-HQQE</p>  <p data-bbox="199 660 469 689">Product No.: 96533267</p> <p data-bbox="199 719 1455 824">Vertical, multistage centrifugal pump with inlet and outlet ports on same the level (inline). Pump materials in contact with the liquid are in high-grade stainless steel. A cartridge shaft seal ensures high reliability, safe handling, and easy access and service. Power transmission is via a rigid split coupling. Pipe connection is via PJE (Victaulic®) couplings.</p> <p data-bbox="199 862 938 891">The pump is fitted with a 1-phase, fan-cooled asynchronous motor.</p> <p data-bbox="199 922 316 952">Controls:</p> <p data-bbox="199 952 638 981">Frequency converter: NONE</p> <p data-bbox="199 1012 290 1041">Liquid:</p> <p data-bbox="199 1041 638 1070">Pumped liquid: Water</p> <p data-bbox="199 1070 710 1099">Liquid temperature range: -20 .. 120 °C</p> <p data-bbox="199 1099 686 1128">Liquid temperature during operation: 20 °C</p> <p data-bbox="199 1128 702 1158">Density: 998.2 kg/m³</p> <p data-bbox="199 1189 327 1218">Technical:</p> <p data-bbox="199 1218 821 1247">Pump speed on which pump data are based: 2730 rpm</p> <p data-bbox="199 1247 638 1276">Rated flow: 3 m³/h</p> <p data-bbox="199 1276 662 1305">Rated head: 117.5 m</p> <p data-bbox="199 1305 646 1335">Pump orientation: Vertical</p> <p data-bbox="199 1335 638 1364">Shaft seal arrangement: Single</p> <p data-bbox="199 1364 638 1393">Code for shaft seal: HQQE</p> <p data-bbox="199 1393 726 1422">Approvals on nameplate: CE, EAC, ACS</p> <p data-bbox="199 1422 766 1451">Curve tolerance: ISO9906:2012 3B</p> <p data-bbox="199 1482 322 1512">Materials:</p> <p data-bbox="199 1512 726 1601">Base: Stainless steel EN 1.4408 AISI 316</p> <p data-bbox="199 1601 726 1691">Impeller: Stainless steel EN 1.4401 AISI 316</p> <p data-bbox="199 1691 614 1720">Bearing: SIC</p> <p data-bbox="199 1751 343 1780">Installation:</p> <p data-bbox="199 1780 630 1809">Maximum ambient temperature: 40 °C</p> <p data-bbox="199 1809 638 1839">Maximum operating pressure: 25 bar</p> <p data-bbox="199 1839 742 1904">Max pressure at stated temp: 25 bar / 120 °C 25 bar / -20 °C</p> <p data-bbox="199 1904 614 1933">Type of connection: PJE</p> <p data-bbox="199 1933 678 1998">Size of inlet connection: DN 32 1 1/4 inch</p> <p data-bbox="199 1998 678 2063">Size of outlet connection: DN 32 1 1/4 inch</p> <p data-bbox="199 2063 686 2092">Pressure rating for pipe connection: PN 50</p> <p data-bbox="199 2092 638 2121">Flange size for motor: FT115</p>

Qty.	Description																																								
	<p>Electrical data:</p> <table><tr><td>Motor standard:</td><td>IEC</td></tr><tr><td>Motor type:</td><td>90LC</td></tr><tr><td>Rated power - P2:</td><td>2.2 kW</td></tr><tr><td>Power (P2) required by pump:</td><td>2.2 kW</td></tr><tr><td>Mains frequency:</td><td>50 Hz</td></tr><tr><td>Rated voltage:</td><td>1 x 220-230/240 V</td></tr><tr><td>Rated current:</td><td>14,0-13,6/12,6 A</td></tr><tr><td>Starting current:</td><td>330 %</td></tr><tr><td>Cos phi - power factor:</td><td>1.00</td></tr><tr><td>Rated speed:</td><td>2730/2720 rpm</td></tr><tr><td>Motor efficiency at full load:</td><td>75 %</td></tr><tr><td>Number of poles:</td><td>2</td></tr><tr><td>Enclosure class (IEC 34-5):</td><td>55 Dust/Jetting</td></tr><tr><td>Insulation class (IEC 85):</td><td>F</td></tr></table> <p>Others:</p> <table><tr><td>Minimum efficiency index, MEI η_{min}:</td><td>0.70</td></tr><tr><td>Net weight:</td><td>44.2 kg</td></tr><tr><td>Gross weight:</td><td>47.1 kg</td></tr><tr><td>Shipping volume:</td><td>0.13 m³</td></tr><tr><td>Country of origin:</td><td>GB</td></tr><tr><td>Custom tariff no.:</td><td>84137075</td></tr></table>	Motor standard:	IEC	Motor type:	90LC	Rated power - P2:	2.2 kW	Power (P2) required by pump:	2.2 kW	Mains frequency:	50 Hz	Rated voltage:	1 x 220-230/240 V	Rated current:	14,0-13,6/12,6 A	Starting current:	330 %	Cos phi - power factor:	1.00	Rated speed:	2730/2720 rpm	Motor efficiency at full load:	75 %	Number of poles:	2	Enclosure class (IEC 34-5):	55 Dust/Jetting	Insulation class (IEC 85):	F	Minimum efficiency index, MEI η_{min} :	0.70	Net weight:	44.2 kg	Gross weight:	47.1 kg	Shipping volume:	0.13 m ³	Country of origin:	GB	Custom tariff no.:	84137075
Motor standard:	IEC																																								
Motor type:	90LC																																								
Rated power - P2:	2.2 kW																																								
Power (P2) required by pump:	2.2 kW																																								
Mains frequency:	50 Hz																																								
Rated voltage:	1 x 220-230/240 V																																								
Rated current:	14,0-13,6/12,6 A																																								
Starting current:	330 %																																								
Cos phi - power factor:	1.00																																								
Rated speed:	2730/2720 rpm																																								
Motor efficiency at full load:	75 %																																								
Number of poles:	2																																								
Enclosure class (IEC 34-5):	55 Dust/Jetting																																								
Insulation class (IEC 85):	F																																								
Minimum efficiency index, MEI η_{min} :	0.70																																								
Net weight:	44.2 kg																																								
Gross weight:	47.1 kg																																								
Shipping volume:	0.13 m ³																																								
Country of origin:	GB																																								
Custom tariff no.:	84137075																																								

96533267 CRN 3-27 A-P-A-E-HQQE 50 Hz



Description	Value
-------------	-------

General information:

Product name: CRN 3-27
 A-P-A-E-HQQE
 Product No: 96533267
 EAN number: 5700397440216
 Price: 1.970,00 GBP

Technical:

Pump speed on which pump data are based: 2730 rpm
 Rated flow: 3 m³/h
 Rated head: 117.5 m
 Head max: 172.5 m
 Stages: 27
 Impellers: 27
 Number of reduced-diameter impellers: 0
 Low NPSH: N
 Pump orientation: Vertical
 Shaft seal arrangement: Single
 Code for shaft seal: HQQE
 Approvals on nameplate: CE, EAC, ACS
 Curve tolerance: ISO9906:2012 3B
 Pump version: A
 Model: A

Materials:

Base: Stainless steel
 EN 1.4408
 AISI 316
 Impeller: Stainless steel
 EN 1.4401
 AISI 316

Material code: A
 Code for rubber: E
 Bearing: SIC

Installation:

Maximum ambient temperature: 40 °C
 Maximum operating pressure: 25 bar
 Max pressure at stated temp: 25 bar / 120 °C
 25 bar / -20 °C

Type of connection: PJE
 Size of inlet connection: DN 32
 1 1/4 inch
 Size of outlet connection: DN 32
 1 1/4 inch

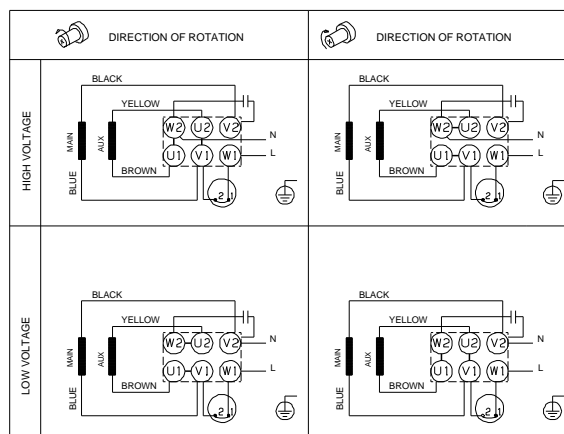
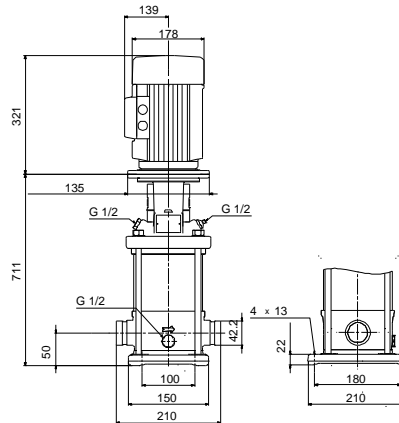
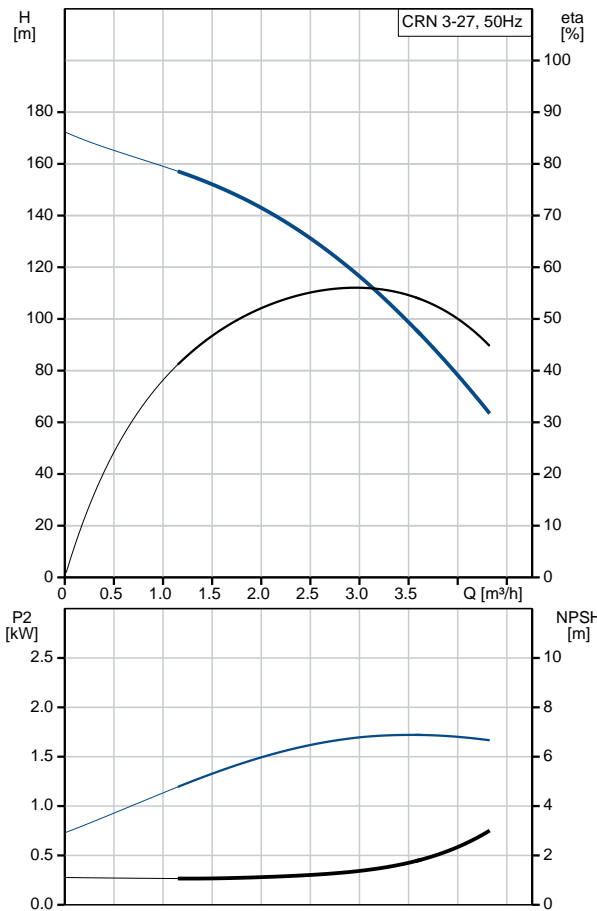
Pressure rating for pipe connection: PN 50
 Flange size for motor: FT115
 Connect code: P

Liquid:

Pumped liquid: Water
 Liquid temperature range: -20 .. 120 °C
 Liquid temperature during operation: 20 °C
 Density: 998.2 kg/m³

Electrical data:

Motor standard: IEC
 Motor type: 90LC
 Rated power - P2: 2.2 kW
 Power (P2) required by pump: 2.2 kW
 Mains frequency: 50 Hz
 Rated voltage: 1 x 220-230/240 V
 Rated current: 14,0-13,6/12,6 A





Company name:

Created by:

Phone:

Date:

07/03/2019

Description	Value
Starting current:	330 %
Cos phi - power factor:	1.00
Rated speed:	2730/2720 rpm
Motor efficiency at full load:	75 %
Number of poles:	2
Enclosure class (IEC 34-5):	55 Dust/Jetting
Insulation class (IEC 85):	F
Motor protec:	PTO
Motor No:	85215708
Controls:	
Frequency converter:	NONE
Others:	
Minimum efficiency index, MEI %:	0.70
Net weight:	44.2 kg
Gross weight:	47.1 kg
Shipping volume:	0.13 m ³
Sales region:	GB
Country of origin:	GB
Custom tariff no.:	84137075