
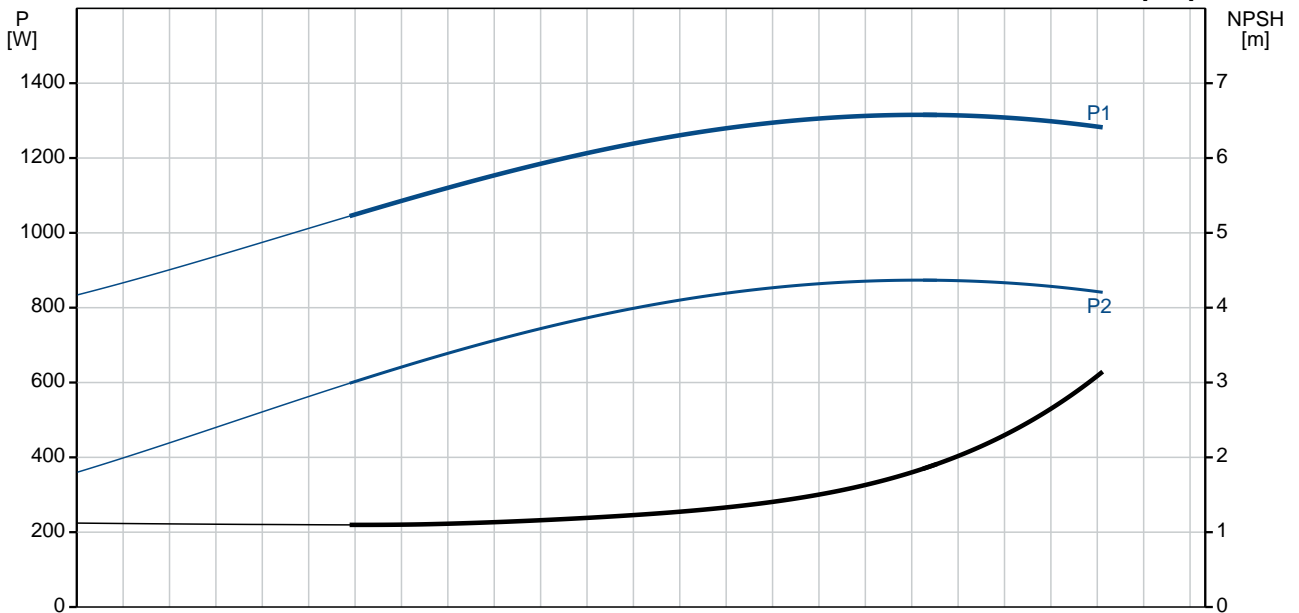
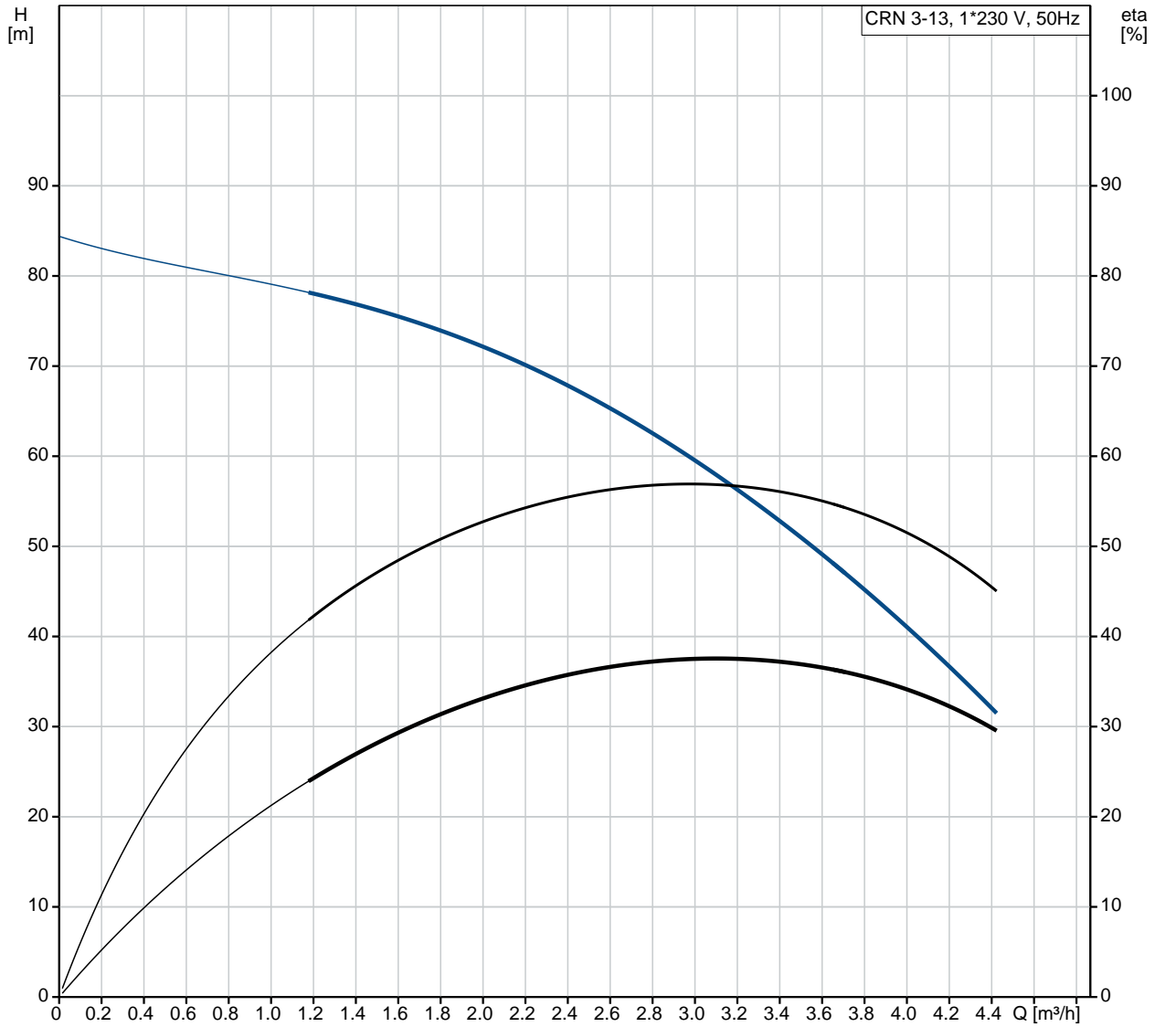


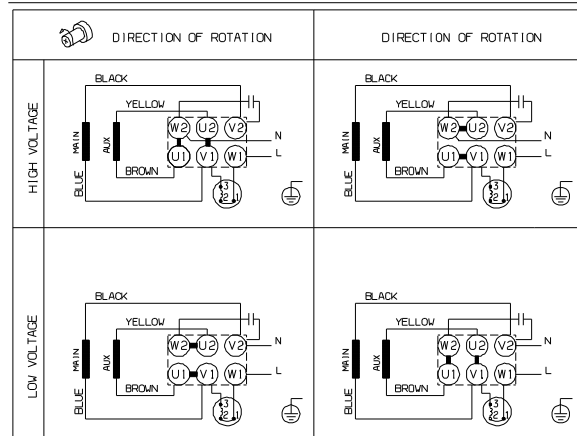
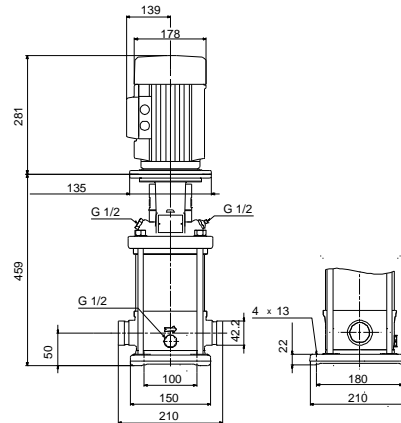
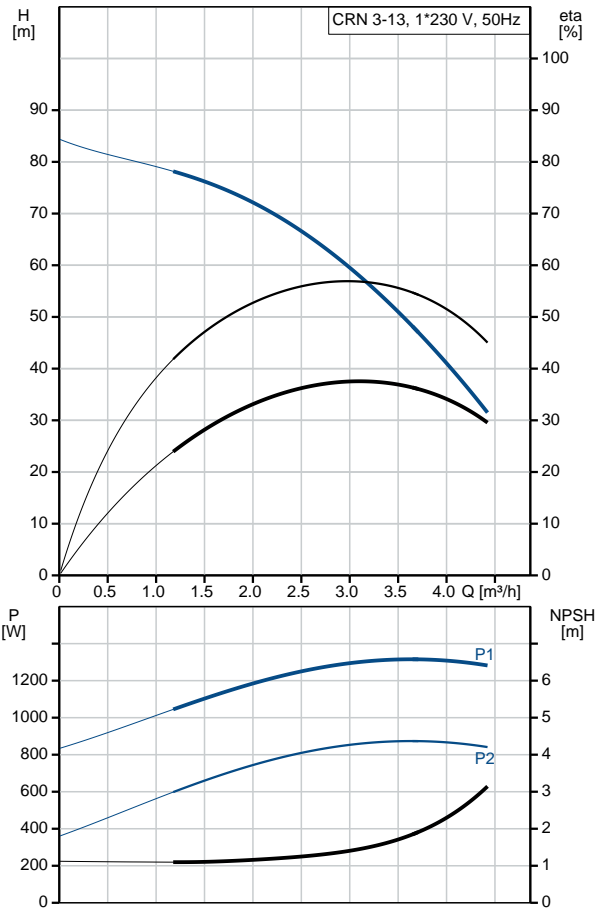
Qty.	Description
1	<p data-bbox="199 338 497 369"><b>CRN 3-13 A-P-A-E-HQQE</b></p>  <p data-bbox="199 660 469 689">Product No.: <a href="#">96533260</a></p> <p data-bbox="199 719 1453 822">Vertical, multistage centrifugal pump with inlet and outlet ports on same the level (inline). Pump materials in contact with the liquid are in high-grade stainless steel. A cartridge shaft seal ensures high reliability, safe handling, and easy access and service. Power transmission is via a rigid split coupling. Pipe connection is via PJE (Victaulic®) couplings.</p> <p data-bbox="199 862 935 891">The pump is fitted with a 1-phase, fan-cooled asynchronous motor.</p> <p data-bbox="199 920 316 949"><b>Controls:</b></p> <p data-bbox="199 952 638 981">Frequency converter: NONE</p> <p data-bbox="199 1010 288 1039"><b>Liquid:</b></p> <p data-bbox="199 1041 707 1160">Pumped liquid: Water Liquid temperature range: -20 .. 120 °C Liquid temperature during operation: 20 °C Density: 998.2 kg/m<sup>3</sup></p> <p data-bbox="199 1189 328 1218"><b>Technical:</b></p> <p data-bbox="199 1220 820 1456">Pump speed on which pump data are based: 2789 rpm Rated flow: 3 m<sup>3</sup>/h Rated head: 58.9 m Pump orientation: Vertical Shaft seal arrangement: Single Code for shaft seal: HQQE Approvals on nameplate: CE, EAC, ACS Curve tolerance: ISO9906:2012 3B</p> <p data-bbox="199 1485 320 1514"><b>Materials:</b></p> <p data-bbox="199 1516 727 1722">Base: Stainless steel EN 1.4408 AISI 316 Impeller: Stainless steel EN 1.4401 AISI 316 Bearing: SIC</p> <p data-bbox="199 1751 344 1780"><b>Installation:</b></p> <p data-bbox="199 1783 742 2107">Maximum ambient temperature: 40 °C Maximum operating pressure: 25 bar Max pressure at stated temp: 25 bar / 120 °C 25 bar / -20 °C Type of connection: PJE Size of inlet connection: DN 32 1 1/4 inch Size of outlet connection: DN 32 1 1/4 inch Pressure rating for pipe connection: PN 50 Flange size for motor: FT115</p>

Qty.	Description																																								
	<p><b>Electrical data:</b></p> <table><tr><td>Motor standard:</td><td>IEC</td></tr><tr><td>Motor type:</td><td>90SB</td></tr><tr><td>Rated power - P2:</td><td>1.1 kW</td></tr><tr><td>Power (P2) required by pump:</td><td>1.1 kW</td></tr><tr><td>Mains frequency:</td><td>50 Hz</td></tr><tr><td>Rated voltage:</td><td>1 x 220-230/240 V</td></tr><tr><td>Rated current:</td><td>7.40/6.70 A</td></tr><tr><td>Starting current:</td><td>390 %</td></tr><tr><td>Cos phi - power factor:</td><td>0.98/0.99</td></tr><tr><td>Rated speed:</td><td>2770 rpm</td></tr><tr><td>Motor efficiency at full load:</td><td>73-71 %</td></tr><tr><td>Number of poles:</td><td>2</td></tr><tr><td>Enclosure class (IEC 34-5):</td><td>55 Dust/Jetting</td></tr><tr><td>Insulation class (IEC 85):</td><td>F</td></tr></table> <p><b>Others:</b></p> <table><tr><td>Minimum efficiency index, MEI <math>\eta_{min}</math>:</td><td>0.70</td></tr><tr><td>Net weight:</td><td>33.1 kg</td></tr><tr><td>Gross weight:</td><td>37.2 kg</td></tr><tr><td>Shipping volume:</td><td>0.092 m<sup>3</sup></td></tr><tr><td>Country of origin:</td><td>HU</td></tr><tr><td>Custom tariff no.:</td><td>84137075</td></tr></table>	Motor standard:	IEC	Motor type:	90SB	Rated power - P2:	1.1 kW	Power (P2) required by pump:	1.1 kW	Mains frequency:	50 Hz	Rated voltage:	1 x 220-230/240 V	Rated current:	7.40/6.70 A	Starting current:	390 %	Cos phi - power factor:	0.98/0.99	Rated speed:	2770 rpm	Motor efficiency at full load:	73-71 %	Number of poles:	2	Enclosure class (IEC 34-5):	55 Dust/Jetting	Insulation class (IEC 85):	F	Minimum efficiency index, MEI $\eta_{min}$ :	0.70	Net weight:	33.1 kg	Gross weight:	37.2 kg	Shipping volume:	0.092 m <sup>3</sup>	Country of origin:	HU	Custom tariff no.:	84137075
Motor standard:	IEC																																								
Motor type:	90SB																																								
Rated power - P2:	1.1 kW																																								
Power (P2) required by pump:	1.1 kW																																								
Mains frequency:	50 Hz																																								
Rated voltage:	1 x 220-230/240 V																																								
Rated current:	7.40/6.70 A																																								
Starting current:	390 %																																								
Cos phi - power factor:	0.98/0.99																																								
Rated speed:	2770 rpm																																								
Motor efficiency at full load:	73-71 %																																								
Number of poles:	2																																								
Enclosure class (IEC 34-5):	55 Dust/Jetting																																								
Insulation class (IEC 85):	F																																								
Minimum efficiency index, MEI $\eta_{min}$ :	0.70																																								
Net weight:	33.1 kg																																								
Gross weight:	37.2 kg																																								
Shipping volume:	0.092 m <sup>3</sup>																																								
Country of origin:	HU																																								
Custom tariff no.:	84137075																																								

## 96533260 CRN 3-13 A-P-A-E-HQQE 50 Hz



Description	Value
<b>General information:</b>	
Product name:	CRN 3-13 A-P-A-E-HQQE
Product No:	96533260
EAN number:	5700397439265
Price:	1.293,00 GBP
<b>Technical:</b>	
Pump speed on which pump data are based:	2789 rpm
Rated flow:	3 m <sup>3</sup> /h
Rated head:	58.9 m
Head max:	84.1 m
Stages:	13
Impellers:	13
Number of reduced-diameter impellers:	0
Low NPSH:	N
Pump orientation:	Vertical
Shaft seal arrangement:	Single
Code for shaft seal:	HQQE
Approvals on nameplate:	CE, EAC, ACS
Curve tolerance:	ISO9906:2012 3B
Pump version:	A
Model:	A
<b>Materials:</b>	
Base:	Stainless steel EN 1.4408 AISI 316
Impeller:	Stainless steel EN 1.4401 AISI 316
Material code:	A
Code for rubber:	E
Bearing:	SIC
<b>Installation:</b>	
Maximum ambient temperature:	40 °C
Maximum operating pressure:	25 bar
Max pressure at stated temp:	25 bar / 120 °C 25 bar / -20 °C
Type of connection:	PJE
Size of inlet connection:	DN 32 1 1/4 inch
Size of outlet connection:	DN 32 1 1/4 inch
Pressure rating for pipe connection:	PN 50
Flange size for motor:	FT115
Connect code:	P
<b>Liquid:</b>	
Pumped liquid:	Water
Liquid temperature range:	-20 .. 120 °C
Liquid temperature during operation:	20 °C
Density:	998.2 kg/m <sup>3</sup>
<b>Electrical data:</b>	
Motor standard:	IEC
Motor type:	90SB
Rated power - P2:	1.1 kW
Power (P2) required by pump:	1.1 kW
Mains frequency:	50 Hz
Rated voltage:	1 x 220-230/240 V
Rated current:	7.40/6.70 A





Company name:

Created by:

Phone:

Date:

07/03/2019

Description	Value
Starting current:	390 %
Cos phi - power factor:	0.98/0.99
Rated speed:	2770 rpm
Motor efficiency at full load:	73-71 %
Number of poles:	2
Enclosure class (IEC 34-5):	55 Dust/Jetting
Insulation class (IEC 85):	F
Motor protec:	PTO
Motor No:	85215705
<b>Controls:</b>	
Frequency converter:	NONE
<b>Others:</b>	
Minimum efficiency index, MEI %:	0.70
Net weight:	33.1 kg
Gross weight:	37.2 kg
Shipping volume:	0.092 m <sup>3</sup>
Sales region:	GB
Country of origin:	HU
Custom tariff no.:	84137075

## 96533260 CRN 3-13 A-P-A-E-HQQE 50 Hz

