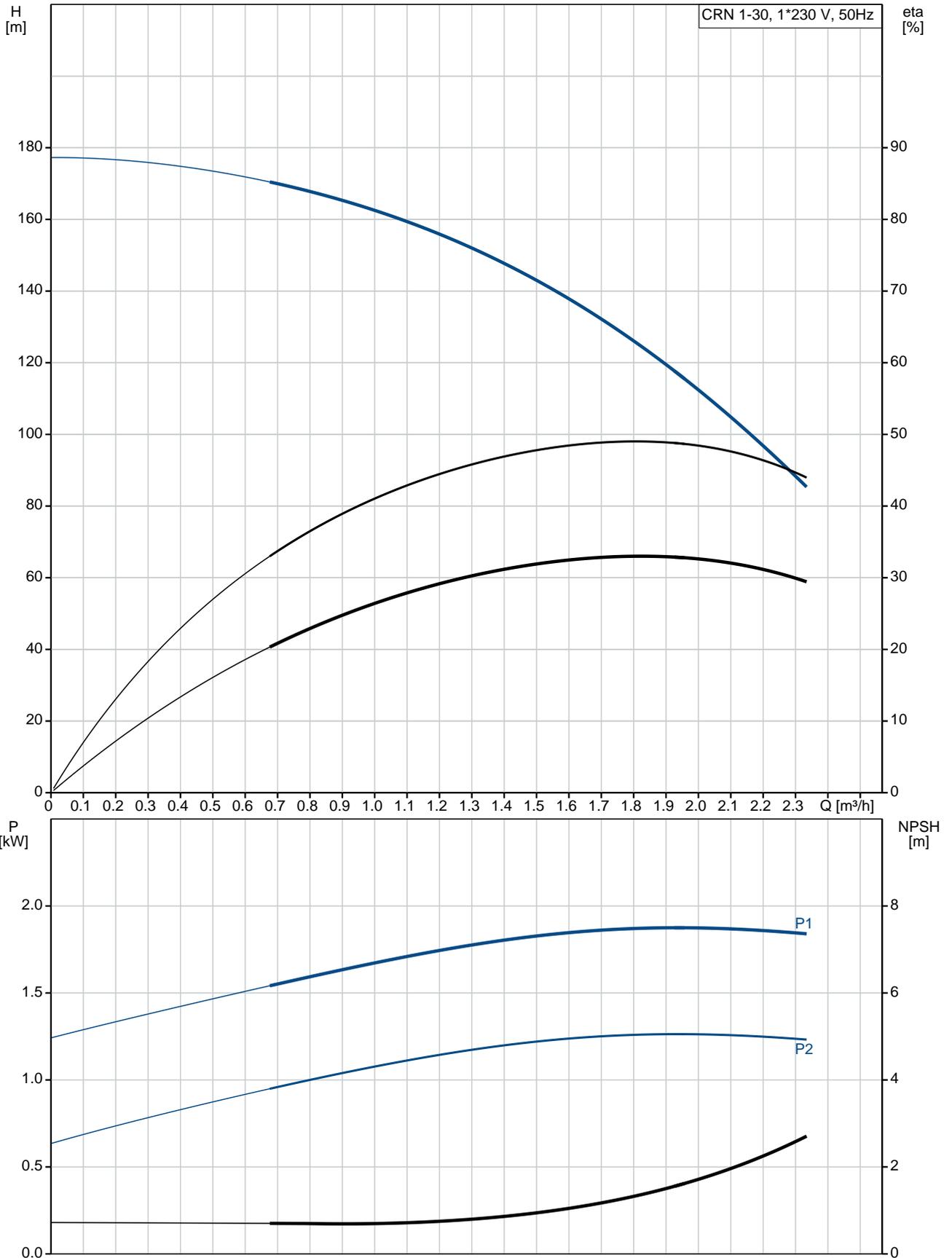


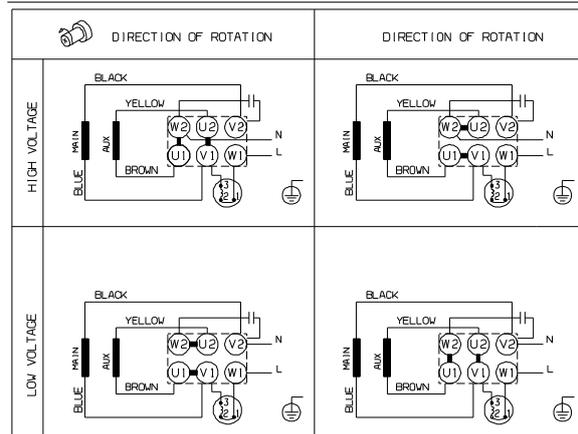
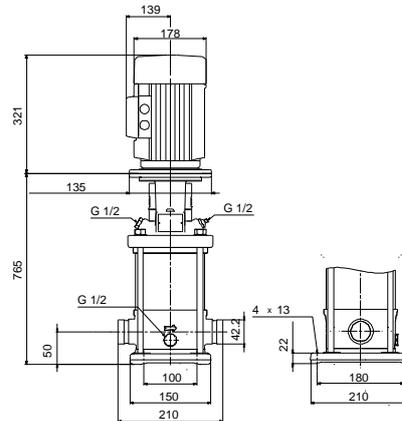
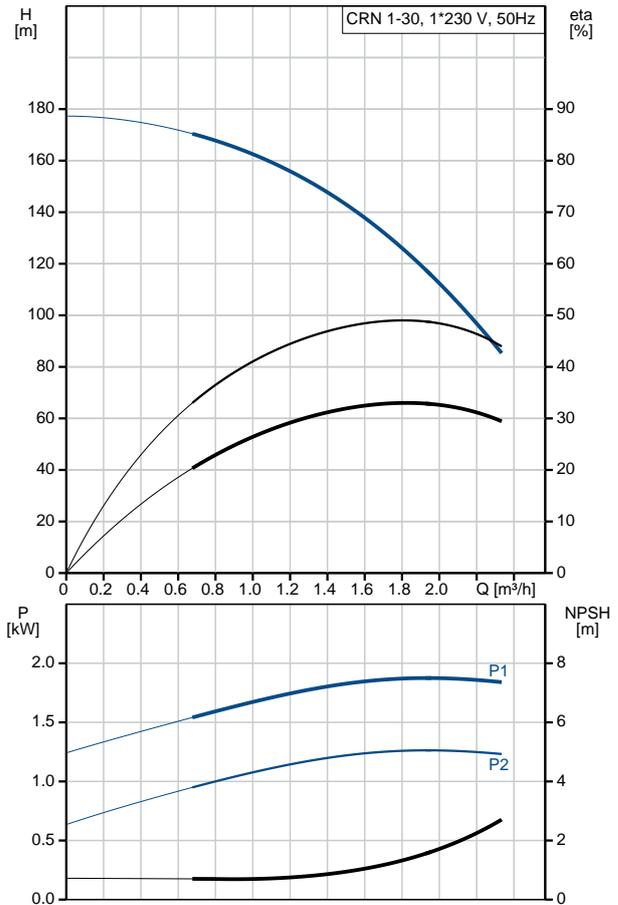
| Qty. | Description  |
|------|--|
| 1    | <p data-bbox="199 338 496 367"><b>CRN 1-30 A-P-A-E-HQQE</b></p>  <p data-bbox="199 660 469 689">Product No.: <a href="#">96533170</a></p> <p data-bbox="199 719 1453 824">Vertical, multistage centrifugal pump with inlet and outlet ports on same the level (inline). Pump materials in contact with the liquid are in high-grade stainless steel. A cartridge shaft seal ensures high reliability, safe handling, and easy access and service. Power transmission is via a rigid split coupling. Pipe connection is via PJE (Victaulic®) couplings.</p> <p data-bbox="199 862 935 891">The pump is fitted with a 1-phase, fan-cooled asynchronous motor.</p> <p data-bbox="199 920 316 949"><b>Controls:</b></p> <p data-bbox="199 952 638 981">Frequency converter: NONE</p> <p data-bbox="199 1010 288 1039"><b>Liquid:</b></p> <p data-bbox="199 1041 707 1160">Pumped liquid: Water<br/>Liquid temperature range: -20 .. 120 °C<br/>Liquid temperature during operation: 20 °C<br/>Density: 998.2 kg/m<sup>3</sup></p> <p data-bbox="199 1189 327 1218"><b>Technical:</b></p> <p data-bbox="199 1220 820 1458">Pump speed on which pump data are based: 2767 rpm<br/>Rated flow: 1.8 m<sup>3</sup>/h<br/>Rated head: 128.4 m<br/>Pump orientation: Vertical<br/>Shaft seal arrangement: Single<br/>Code for shaft seal: HQQE<br/>Approvals on nameplate: CE, EAC, ACS<br/>Curve tolerance: ISO9906:2012 3B</p> <p data-bbox="199 1487 320 1516"><b>Materials:</b></p> <p data-bbox="199 1518 727 1727">Base: Stainless steel<br/>EN 1.4408<br/>AISI 316<br/>Impeller: Stainless steel<br/>EN 1.4401<br/>AISI 316<br/>Bearing: SIC</p> <p data-bbox="199 1756 344 1785"><b>Installation:</b></p> <p data-bbox="199 1787 740 2101">Maximum ambient temperature: 40 °C<br/>Maximum operating pressure: 25 bar<br/>Max pressure at stated temp: 25 bar / 120 °C<br/>25 bar / -20 °C<br/>Type of connection: PJE<br/>Size of inlet connection: DN 32<br/>1 1/4 inch<br/>Size of outlet connection: DN 32<br/>1 1/4 inch<br/>Pressure rating for pipe connection: PN 50<br/>Flange size for motor: FT115</p> |

| Qty. | Description  |
|------|--|
|      | <p><b>Electrical data:</b></p> <p>Motor standard: IEC<br/>Motor type: 90LB<br/>Rated power - P2: 1.5 kW<br/>Power (P2) required by pump: 1.5 kW<br/>Mains frequency: 50 Hz<br/>Rated voltage: 1 x 220-230/240 V<br/>Rated current: 9.90/8.90 A<br/>Starting current: 390 %<br/>Cos phi - power factor: 0.98/0.99<br/>Rated speed: 2750/2740 rpm<br/>Motor efficiency at full load: 72-70 %<br/>Number of poles: 2<br/>Enclosure class (IEC 34-5): 55 Dust/Jetting<br/>Insulation class (IEC 85): F</p> <p><b>Others:</b></p> <p>Minimum efficiency index, MEI <math>\eta_{min}</math>: 0.70<br/>Net weight: 40.9 kg<br/>Gross weight: 46.3 kg<br/>Shipping volume: 0.133 m<sup>3</sup><br/>Country of origin: GB<br/>Custom tariff no.: 84137075</p> |

## 96533170 CRN 1-30 A-P-A-E-HQQE 50 Hz



| Description                              | Value                                    |
|--|--|
| <b>General information:</b>              |  |
| Product name:                            | CRN 1-30<br>A-P-A-E-HQQE                 |
| Product No:                              | 96533170                                 |
| EAN number:                              | 5700397430316                            |
| Price:                                   | 1.974,00 GBP                             |
| <b>Technical:</b>                        |  |
| Pump speed on which pump data are based: | 2767 rpm                                 |
| Rated flow:                              | 1.8 m <sup>3</sup> /h                    |
| Rated head:                              | 128.4 m                                  |
| Head max:                                | 180.2 m                                  |
| Stages:                                  | 30                                       |
| Impellers:                               | 30                                       |
| Number of reduced-diameter impellers:    | 0  |
| Low NPSH:                                | N  |
| Pump orientation:                        | Vertical                                 |
| Shaft seal arrangement:                  | Single                                   |
| Code for shaft seal:                     | HQQE                                     |
| Approvals on nameplate:                  | CE, EAC, ACS                             |
| Curve tolerance:                         | ISO9906:2012 3B                          |
| Pump version:                            | A  |
| Model:                                   | A  |
| <b>Materials:</b>                        |  |
| Base:                                    | Stainless steel<br>EN 1.4408<br>AISI 316 |
| Impeller:                                | Stainless steel<br>EN 1.4401<br>AISI 316 |
| Material code:                           | A  |
| Code for rubber:                         | E  |
| Bearing:                                 | SIC                                      |
| <b>Installation:</b>                     |  |
| Maximum ambient temperature:             | 40 °C                                    |
| Maximum operating pressure:              | 25 bar                                   |
| Max pressure at stated temp:             | 25 bar / 120 °C<br>25 bar / -20 °C       |
| Type of connection:                      | PJE                                      |
| Size of inlet connection:                | DN 32<br>1 1/4 inch                      |
| Size of outlet connection:               | DN 32<br>1 1/4 inch                      |
| Pressure rating for pipe connection:     | PN 50                                    |
| Flange size for motor:                   | FT115                                    |
| Connect code:                            | P  |
| <b>Liquid:</b>                           |  |
| Pumped liquid:                           | Water                                    |
| Liquid temperature range:                | -20 .. 120 °C                            |
| Liquid temperature during operation:     | 20 °C                                    |
| Density:                                 | 998.2 kg/m <sup>3</sup>                  |
| <b>Electrical data:</b>                  |  |
| Motor standard:                          | IEC                                      |
| Motor type:                              | 90LB                                     |
| Rated power - P2:                        | 1.5 kW                                   |
| Power (P2) required by pump:             | 1.5 kW                                   |
| Mains frequency:                         | 50 Hz                                    |
| Rated voltage:                           | 1 x 220-230/240 V                        |
| Rated current:                           | 9.90/8.90 A                              |





Company name:

Created by:

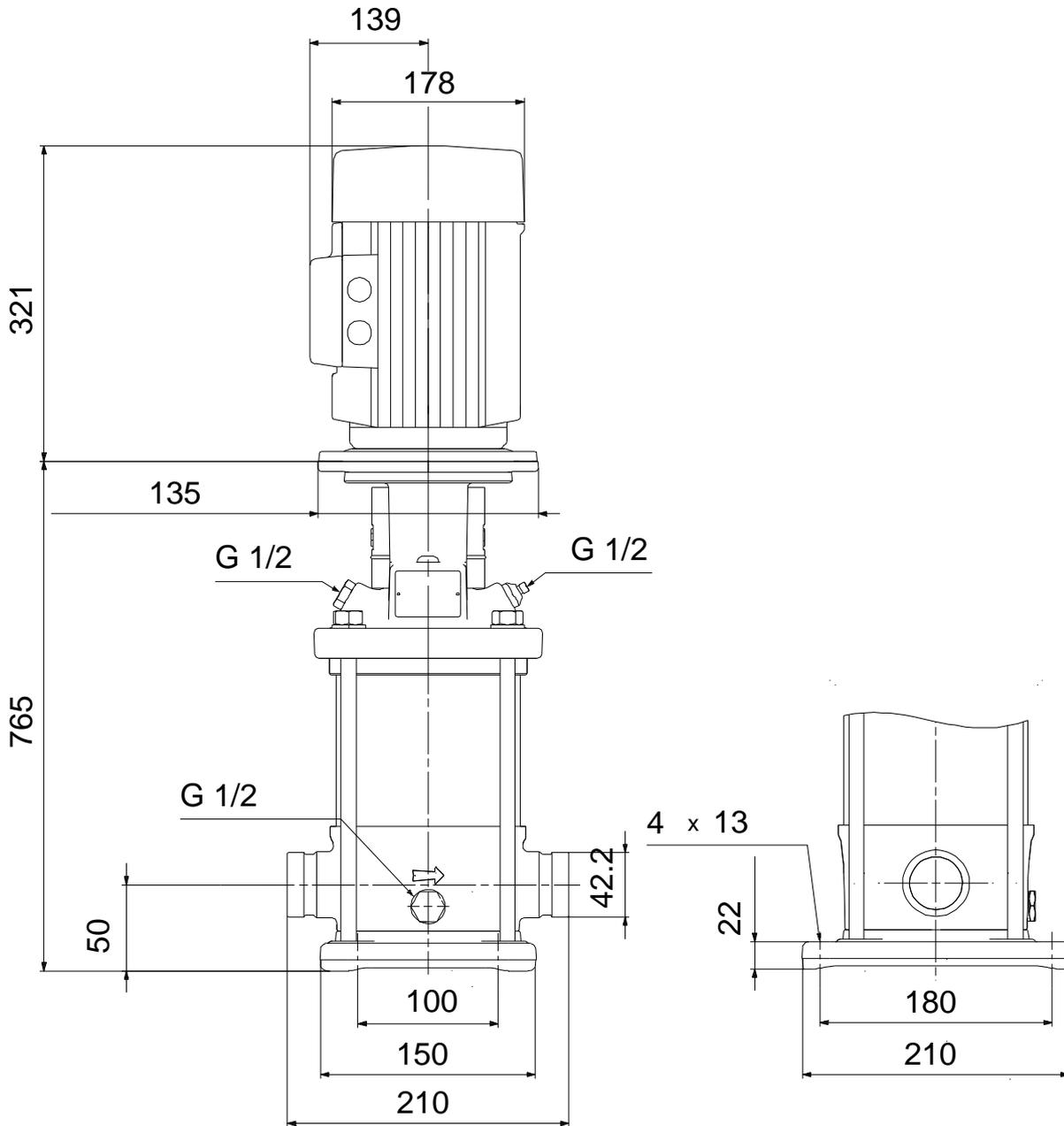
Phone:

Date:

07/03/2019

| Description                      | Value                |
|----------------------------------|----------------------|
| Starting current:                | 390 %                |
| Cos phi - power factor:          | 0.98/0.99            |
| Rated speed:                     | 2750/2740 rpm        |
| Motor efficiency at full load:   | 72-70 %              |
| Number of poles:                 | 2                    |
| Enclosure class (IEC 34-5):      | 55 Dust/Jetting      |
| Insulation class (IEC 85):       | F                    |
| Motor protec:                    | PTO                  |
| Motor No:                        | 85215706             |
| <b>Controls:</b>                 |                      |
| Frequency converter:             | NONE                 |
| <b>Others:</b>                   |                      |
| Minimum efficiency index, MEI %: | 0.70                 |
| Net weight:                      | 40.9 kg              |
| Gross weight:                    | 46.3 kg              |
| Shipping volume:                 | 0.133 m <sup>3</sup> |
| Sales region:                    | GB                   |
| Country of origin:               | GB                   |
| Custom tariff no.:               | 84137075             |

## 96533170 CRN 1-30 A-P-A-E-HQQE 50 Hz



Note! All units are in [mm] unless others are stated.  
Disclaimer: This simplified dimensional drawing does not show all details.