
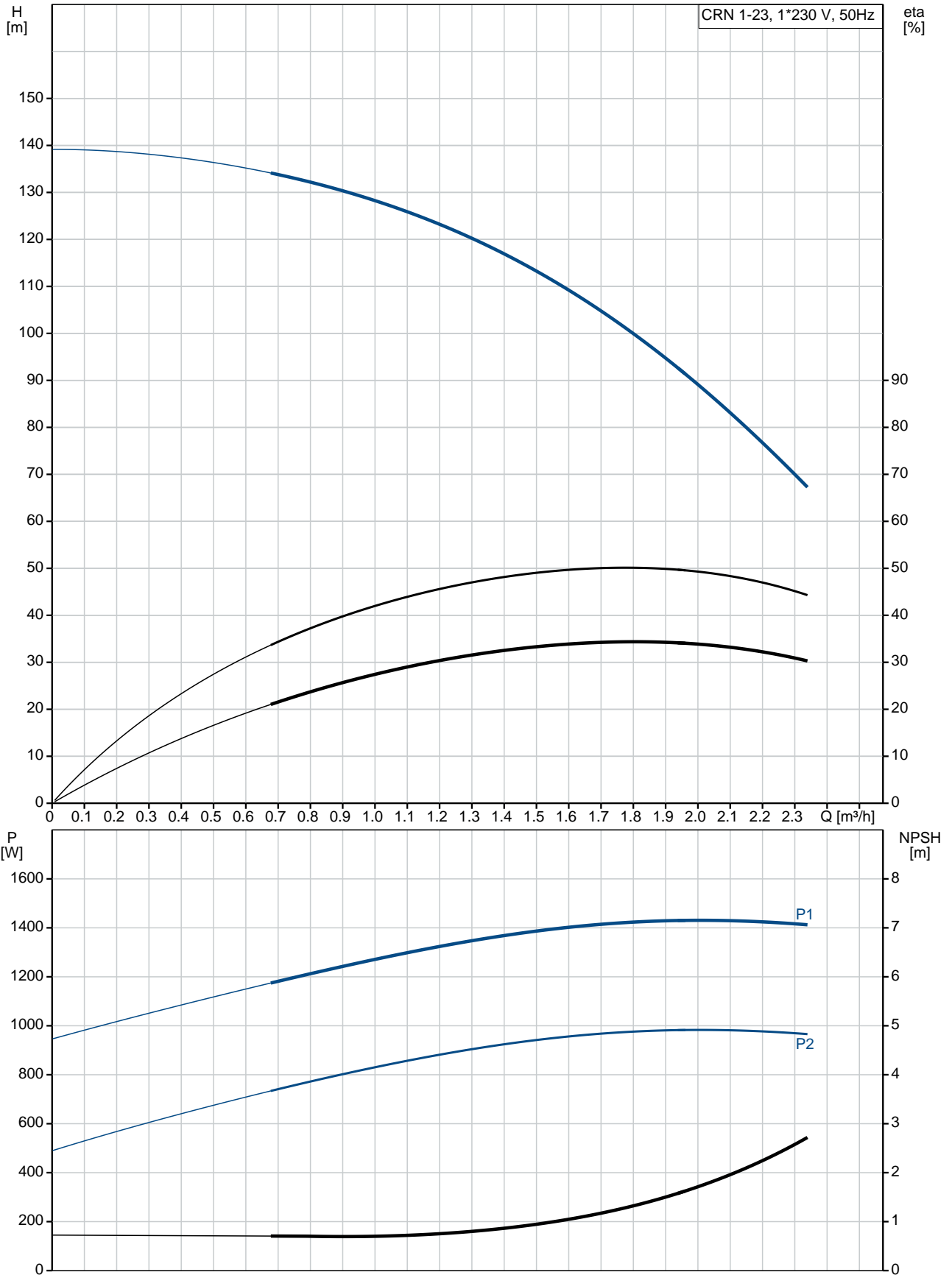


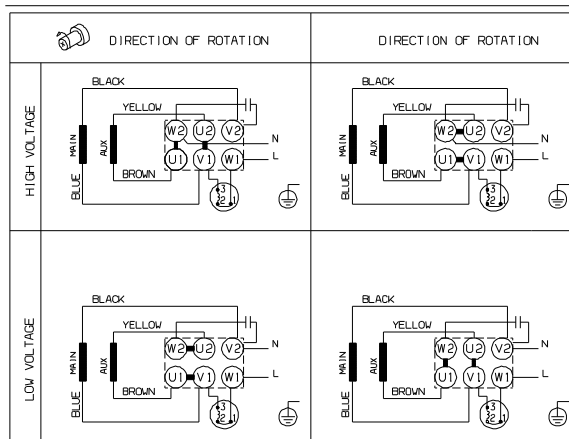
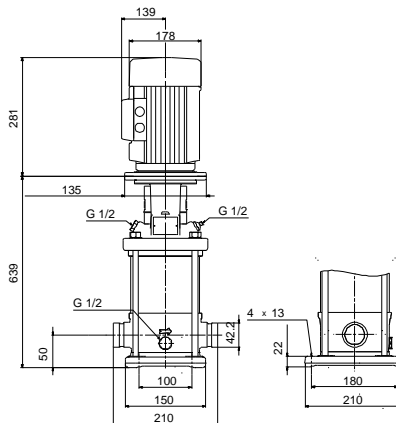
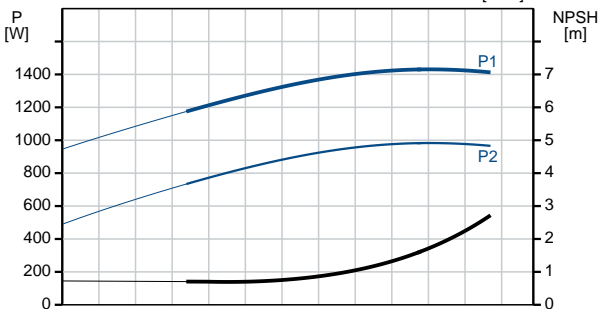
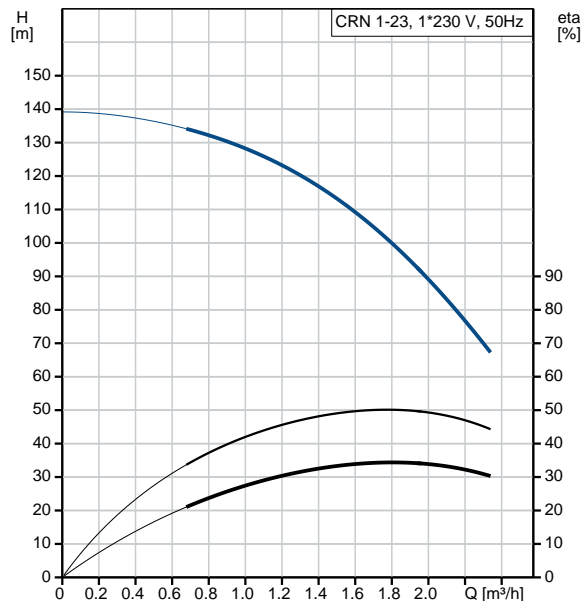
Qty.	Description
1	<p data-bbox="199 336 502 369">CRN 1-23 A-P-A-E-HQQE</p>  <p data-bbox="199 660 470 694">Product No.: 96533164</p> <p data-bbox="199 716 1460 817">Vertical, multistage centrifugal pump with inlet and outlet ports on same the level (inline). Pump materials in contact with the liquid are in high-grade stainless steel. A cartridge shaft seal ensures high reliability, safe handling, and easy access and service. Power transmission is via a rigid split coupling. Pipe connection is via PJE (Victaulic®) couplings.</p> <p data-bbox="199 862 933 896">The pump is fitted with a 1-phase, fan-cooled asynchronous motor.</p> <p data-bbox="199 918 319 952">Controls:</p> <p data-bbox="199 952 638 985">Frequency converter: NONE</p> <p data-bbox="199 1008 295 1041">Liquid:</p> <p data-bbox="199 1041 638 1075">Pumped liquid: Water</p> <p data-bbox="199 1075 710 1108">Liquid temperature range: -20 .. 120 °C</p> <p data-bbox="199 1108 694 1142">Liquid temperature during operation: 20 °C</p> <p data-bbox="199 1142 702 1176">Density: 998.2 kg/m³</p> <p data-bbox="199 1198 327 1232">Technical:</p> <p data-bbox="199 1232 821 1265">Pump speed on which pump data are based: 2789 rpm</p> <p data-bbox="199 1265 662 1299">Rated flow: 1.8 m³/h</p> <p data-bbox="199 1299 646 1332">Rated head: 99.7 m</p> <p data-bbox="199 1332 646 1366">Pump orientation: Vertical</p> <p data-bbox="199 1366 638 1400">Shaft seal arrangement: Single</p> <p data-bbox="199 1400 638 1433">Code for shaft seal: HQQE</p> <p data-bbox="199 1433 726 1467">Approvals on nameplate: CE, EAC, ACS</p> <p data-bbox="199 1467 766 1500">Curve tolerance: ISO9906:2012 3B</p> <p data-bbox="199 1523 327 1556">Materials:</p> <p data-bbox="199 1556 726 1590">Base: Stainless steel</p> <p data-bbox="566 1590 686 1624">EN 1.4408</p> <p data-bbox="566 1624 662 1657">AISI 316</p> <p data-bbox="199 1657 726 1691">Impeller: Stainless steel</p> <p data-bbox="566 1691 686 1724">EN 1.4401</p> <p data-bbox="566 1724 662 1758">AISI 316</p> <p data-bbox="199 1758 614 1792">Bearing: SIC</p> <p data-bbox="199 1814 343 1848">Installation:</p> <p data-bbox="199 1848 630 1881">Maximum ambient temperature: 40 °C</p> <p data-bbox="199 1881 638 1915">Maximum operating pressure: 25 bar</p> <p data-bbox="199 1915 742 1948">Max pressure at stated temp: 25 bar / 120 °C</p> <p data-bbox="566 1948 742 1982">25 bar / -20 °C</p> <p data-bbox="199 1982 614 2016">Type of connection: PJE</p> <p data-bbox="199 2016 638 2049">Size of inlet connection: DN 32</p> <p data-bbox="566 2049 678 2083">1 1/4 inch</p> <p data-bbox="199 2083 638 2116">Size of outlet connection: DN 32</p> <p data-bbox="566 2116 678 2150">1 1/4 inch</p> <p data-bbox="199 2150 686 2184">Pressure rating for pipe connection: PN 50</p> <p data-bbox="199 2184 638 2217">Flange size for motor: FT115</p>

Qty.	Description																																								
	<p>Electrical data:</p> <table><tr><td>Motor standard:</td><td>IEC</td></tr><tr><td>Motor type:</td><td>90SB</td></tr><tr><td>Rated power - P2:</td><td>1.1 kW</td></tr><tr><td>Power (P2) required by pump:</td><td>1.1 kW</td></tr><tr><td>Mains frequency:</td><td>50 Hz</td></tr><tr><td>Rated voltage:</td><td>1 x 220-230/240 V</td></tr><tr><td>Rated current:</td><td>7.40/6.70 A</td></tr><tr><td>Starting current:</td><td>390 %</td></tr><tr><td>Cos phi - power factor:</td><td>0.98/0.99</td></tr><tr><td>Rated speed:</td><td>2770 rpm</td></tr><tr><td>Motor efficiency at full load:</td><td>73-71 %</td></tr><tr><td>Number of poles:</td><td>2</td></tr><tr><td>Enclosure class (IEC 34-5):</td><td>55 Dust/Jetting</td></tr><tr><td>Insulation class (IEC 85):</td><td>F</td></tr></table> <p>Others:</p> <table><tr><td>Minimum efficiency index, MEI η_{min}:</td><td>0.70</td></tr><tr><td>Net weight:</td><td>37.2 kg</td></tr><tr><td>Gross weight:</td><td>40.1 kg</td></tr><tr><td>Shipping volume:</td><td>0.13 m³</td></tr><tr><td>Country of origin:</td><td>GB</td></tr><tr><td>Custom tariff no.:</td><td>84137075</td></tr></table>	Motor standard:	IEC	Motor type:	90SB	Rated power - P2:	1.1 kW	Power (P2) required by pump:	1.1 kW	Mains frequency:	50 Hz	Rated voltage:	1 x 220-230/240 V	Rated current:	7.40/6.70 A	Starting current:	390 %	Cos phi - power factor:	0.98/0.99	Rated speed:	2770 rpm	Motor efficiency at full load:	73-71 %	Number of poles:	2	Enclosure class (IEC 34-5):	55 Dust/Jetting	Insulation class (IEC 85):	F	Minimum efficiency index, MEI η_{min} :	0.70	Net weight:	37.2 kg	Gross weight:	40.1 kg	Shipping volume:	0.13 m ³	Country of origin:	GB	Custom tariff no.:	84137075
Motor standard:	IEC																																								
Motor type:	90SB																																								
Rated power - P2:	1.1 kW																																								
Power (P2) required by pump:	1.1 kW																																								
Mains frequency:	50 Hz																																								
Rated voltage:	1 x 220-230/240 V																																								
Rated current:	7.40/6.70 A																																								
Starting current:	390 %																																								
Cos phi - power factor:	0.98/0.99																																								
Rated speed:	2770 rpm																																								
Motor efficiency at full load:	73-71 %																																								
Number of poles:	2																																								
Enclosure class (IEC 34-5):	55 Dust/Jetting																																								
Insulation class (IEC 85):	F																																								
Minimum efficiency index, MEI η_{min} :	0.70																																								
Net weight:	37.2 kg																																								
Gross weight:	40.1 kg																																								
Shipping volume:	0.13 m ³																																								
Country of origin:	GB																																								
Custom tariff no.:	84137075																																								

96533164 CRN 1-23 A-P-A-E-HQQE 50 Hz



Description	Value
General information:	
Product name:	CRN 1-23 A-P-A-E-HQQE
Product No:	96533164
EAN number:	5700397430286
Price:	1.570,00 GBP
Technical:	
Pump speed on which pump data are based:	2789 rpm
Rated flow:	1.8 m ³ /h
Rated head:	99.7 m
Head max:	138.7 m
Stages:	23
Impellers:	23
Number of reduced-diameter impellers:	0
Low NPSH:	N
Pump orientation:	Vertical
Shaft seal arrangement:	Single
Code for shaft seal:	HQQE
Approvals on nameplate:	CE, EAC, ACS
Curve tolerance:	ISO9906:2012 3B
Pump version:	A
Model:	A
Materials:	
Base:	Stainless steel EN 1.4408 AISI 316
Impeller:	Stainless steel EN 1.4401 AISI 316
Material code:	A
Code for rubber:	E
Bearing:	SIC
Installation:	
Maximum ambient temperature:	40 °C
Maximum operating pressure:	25 bar
Max pressure at stated temp:	25 bar / 120 °C 25 bar / -20 °C
Type of connection:	PJE
Size of inlet connection:	DN 32 1 1/4 inch
Size of outlet connection:	DN 32 1 1/4 inch
Pressure rating for pipe connection:	PN 50
Flange size for motor:	FT115
Connect code:	P
Liquid:	
Pumped liquid:	Water
Liquid temperature range:	-20 .. 120 °C
Liquid temperature during operation:	20 °C
Density:	998.2 kg/m ³
Electrical data:	
Motor standard:	IEC
Motor type:	90SB
Rated power - P2:	1.1 kW
Power (P2) required by pump:	1.1 kW
Mains frequency:	50 Hz
Rated voltage:	1 x 220-230/240 V
Rated current:	7.40/6.70 A





Company name:

Created by:

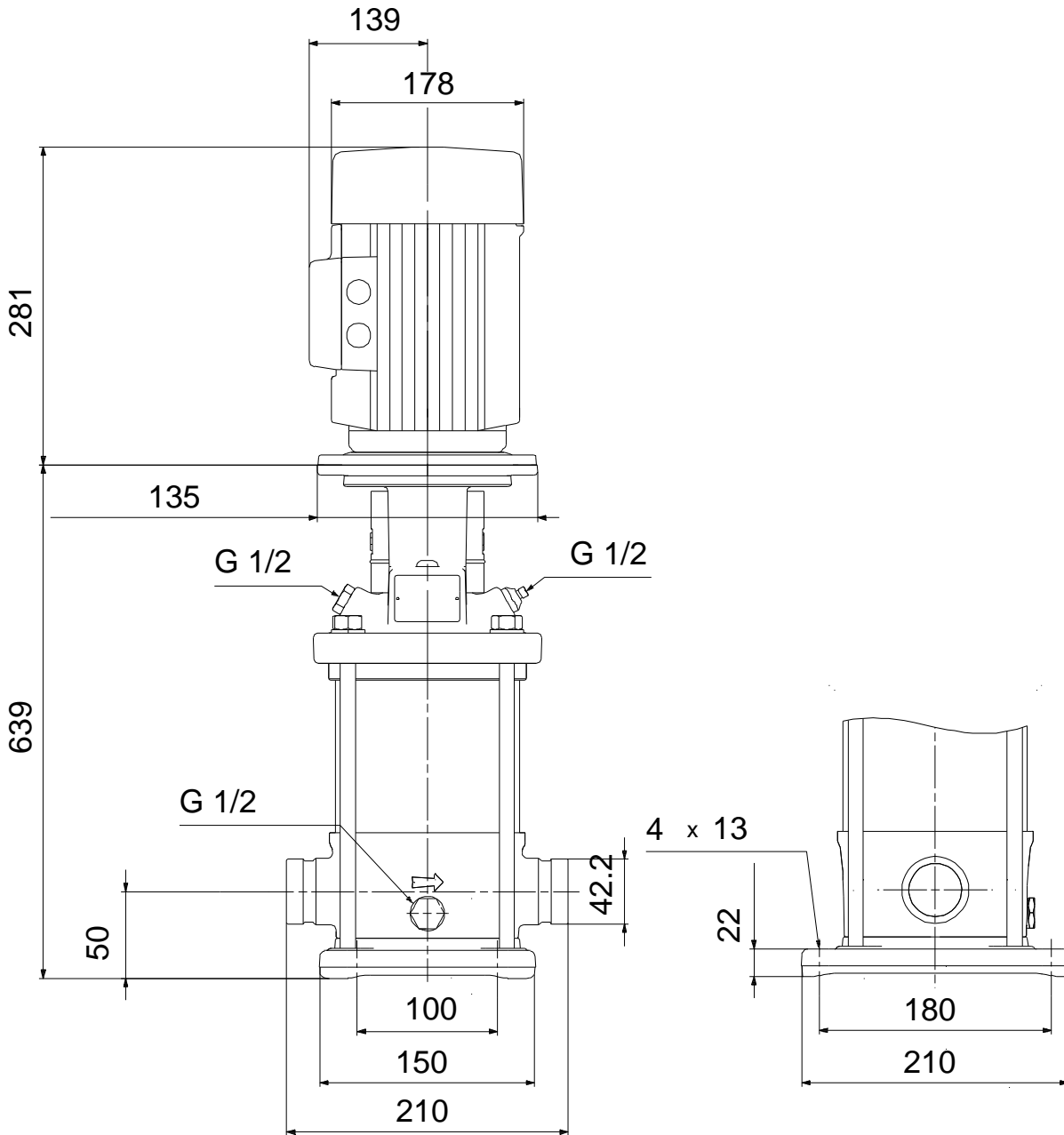
Phone:

Date:

07/03/2019

Description	Value
Starting current:	390 %
Cos phi - power factor:	0.98/0.99
Rated speed:	2770 rpm
Motor efficiency at full load:	73-71 %
Number of poles:	2
Enclosure class (IEC 34-5):	55 Dust/Jetting
Insulation class (IEC 85):	F
Motor protec:	PTO
Motor No:	85215705
Controls:	
Frequency converter:	NONE
Others:	
Minimum efficiency index, MEI %:	0.70
Net weight:	37.2 kg
Gross weight:	40.1 kg
Shipping volume:	0.13 m ³
Sales region:	GB
Country of origin:	GB
Custom tariff no.:	84137075

96533164 CRN 1-23 A-P-A-E-HQQE 50 Hz



Note! All units are in [mm] unless others are stated.
Disclaimer: This simplified dimensional drawing does not show all details.