
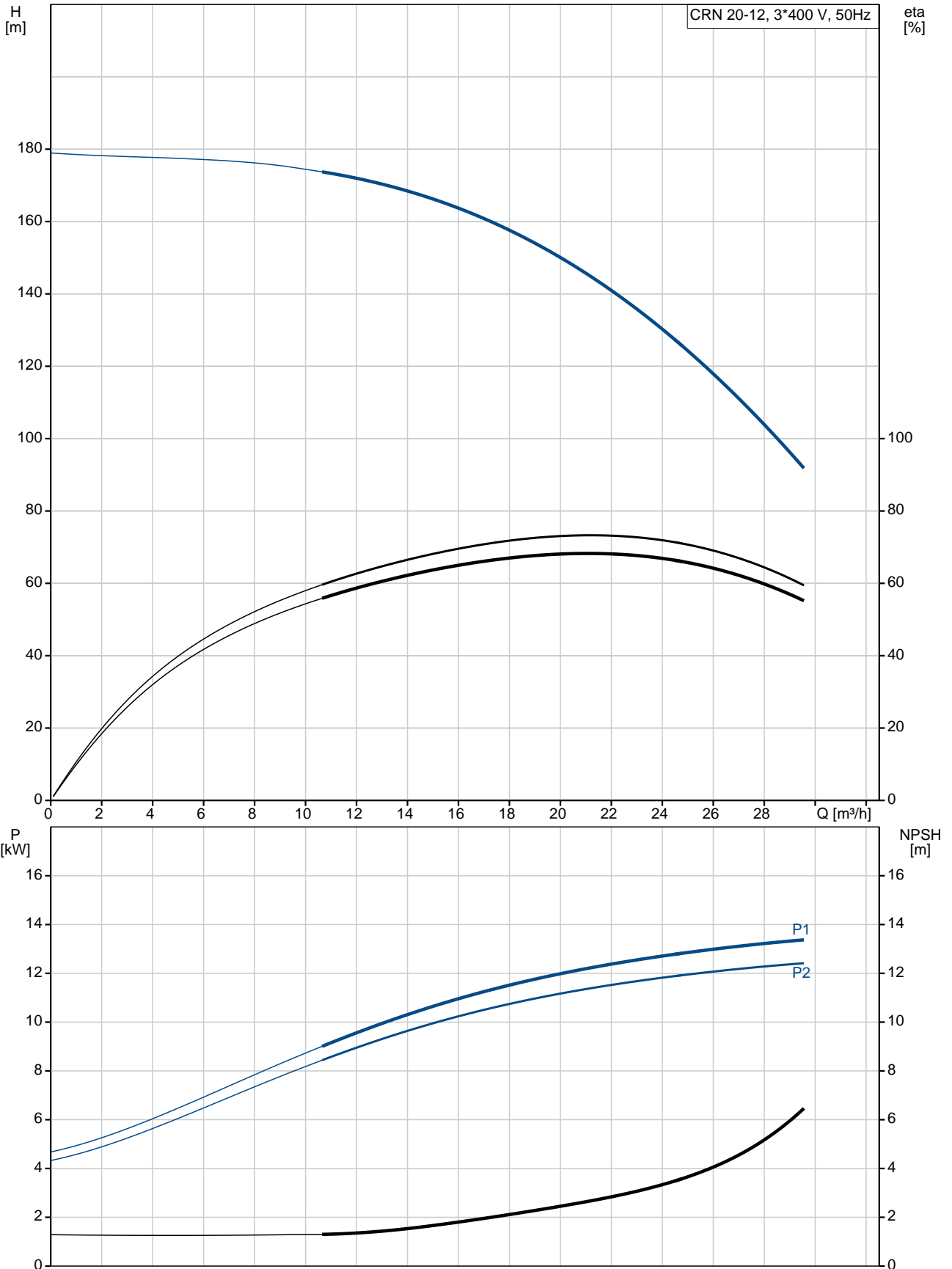


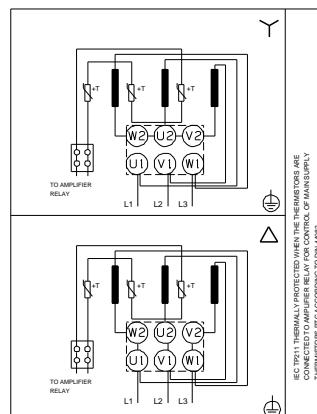
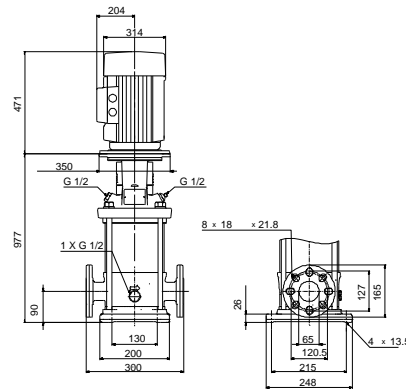
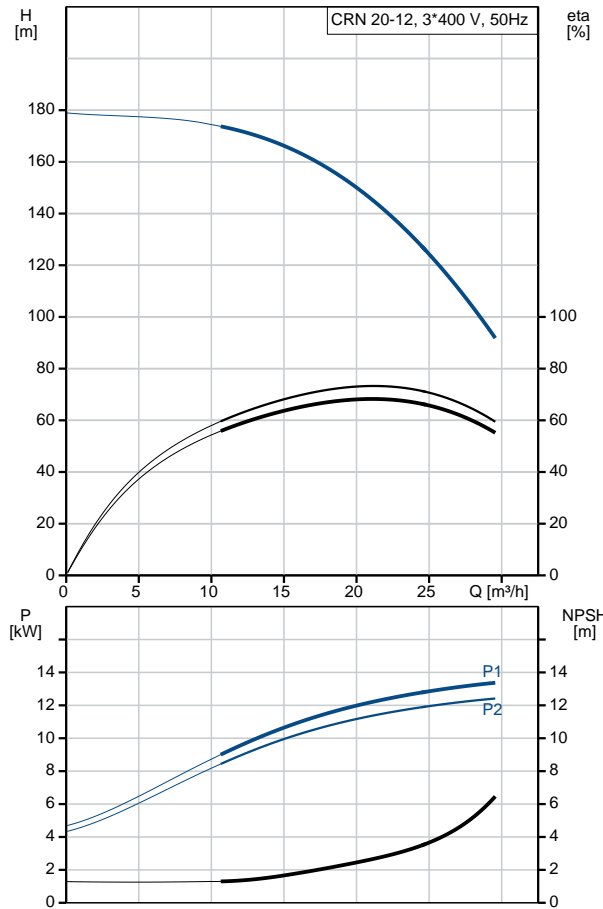
| Qty. | Description |
|------|---|
| 1 | <p data-bbox="199 342 542 365">CRN 20-12 A-FGJ-H-E-HQQE</p>  <p data-bbox="199 663 470 685">Product No.: 96527818</p> <p data-bbox="199 719 1404 819">Vertical, multistage centrifugal pump with inlet and outlet ports on same the level (inline). Pump materials in contact with the liquid are in high-grade stainless steel. A cartridge shaft seal ensures high reliability, safe handling, and easy access and service. Power transmission is via a rigid split coupling. Pipe connection is via combined DIN-ANSI-JIS flanges.</p> <p data-bbox="199 864 938 887">The pump is fitted with a 3-phase, fan-cooled asynchronous motor.</p> <p data-bbox="199 920 316 943">Controls:</p> <p data-bbox="199 954 638 976">Frequency converter: NONE</p> <p data-bbox="199 1010 287 1032">Liquid:</p> <p data-bbox="199 1043 710 1155">Pumped liquid: Water Liquid temperature range: -20 .. 120 °C Liquid temperature during operation: 20 °C Density: 998.2 kg/m³</p> <p data-bbox="199 1189 327 1211">Technical:</p> <p data-bbox="199 1223 821 1458">Pump speed on which pump data are based: 2923 rpm Rated flow: 21 m³/h Rated head: 142.7 m Pump orientation: Vertical Shaft seal arrangement: Single Code for shaft seal: HQQE Approvals on nameplate: CE, EAC, ACS Curve tolerance: ISO9906:2012 3B</p> <p data-bbox="199 1491 319 1514">Materials:</p> <p data-bbox="199 1525 726 1715">Base: Stainless steel EN 1.4408 AISI 316 Impeller: Stainless steel EN 1.4401 AISI 316 Bearing: SIC</p> <p data-bbox="199 1760 343 1783">Installation:</p> <p data-bbox="199 1794 742 2101">Maximum ambient temperature: 60 °C Maximum operating pressure: 25 bar Max pressure at stated temp: 25 bar / 120 °C 25 bar / -20 °C Type of connection: DIN / ANSI / JIS Size of inlet connection: DN 50 2 inch Size of outlet connection: DN 50 2 inch Pressure rating for pipe connection: PN 25 Flange rating inlet: 300 lb</p> |

| Qty. | Description |
|------|--|
| | <p>Flange size for motor: FF300</p> <p>Electrical data:</p> <p>Motor standard: IEC</p> <p>Motor type: 160MD</p> <p>IE Efficiency class: IE3</p> <p>Rated power - P2: 15 kW</p> <p>Power (P2) required by pump: 15 kW</p> <p>Mains frequency: 50 Hz</p> <p>Rated voltage: 3 x 380-415D/660-690Y V</p> <p>Rated current: 28,0-26,0/16,2-15,6 A</p> <p>Starting current: 660-780 %</p> <p>Cos phi - power factor: 0.89-0.87</p> <p>Rated speed: 2930-2950 rpm</p> <p>Efficiency: IE3 91,9%</p> <p>Motor efficiency at full load: 91.9-91.9 %</p> <p>Motor efficiency at 3/4 load: 92.4 %</p> <p>Motor efficiency at 1/2 load: 92.4 %</p> <p>Number of poles: 2</p> <p>Enclosure class (IEC 34-5): 55 Dust/Jetting</p> <p>Insulation class (IEC 85): F</p> <p>Others:</p> <p>Minimum efficiency index, MEI $\hat{\alpha}\%{\text{¥}}$: 0.70</p> <p>Net weight: 160 kg</p> <p>Gross weight: 188 kg</p> <p>Shipping volume: 0.488 m³</p> <p>Country of origin: GB</p> <p>Custom tariff no.: 84137075</p> |

96527818 CRN 20-12 A-FGJ-H-E-HQQE 50 Hz



| Description | Value |
|--|--|
| General information: | |
| Product name: | CRN 20-12 A-FGJ-H-E-HQQE |
| Product No: | 96527818 |
| EAN number: | 5700397087046 |
| Price: | 6.010,00 GBP |
| Technical: | |
| Pump speed on which pump data are based: | 2923 rpm |
| Rated flow: | 21 m ³ /h |
| Rated head: | 142.7 m |
| Head max: | 178 m |
| Stages: | 12 |
| Impellers: | 12 |
| Number of reduced-diameter impellers: | 0 |
| Low NPSH: | N |
| Pump orientation: | Vertical |
| Shaft seal arrangement: | Single |
| Code for shaft seal: | HQQE |
| Approvals on nameplate: | CE, EAC, ACS |
| Curve tolerance: | ISO9906:2012 3B |
| Pump version: | A |
| Model: | A |
| Materials: | |
| Base: | Stainless steel EN 1.4408 AISI 316 |
| Impeller: | Stainless steel EN 1.4401 AISI 316 |
| Material code: | H |
| Code for rubber: | E |
| Bearing: | SIC |
| Installation: | |
| Maximum ambient temperature: | 60 °C |
| Maximum operating pressure: | 25 bar |
| Max pressure at stated temp: | 25 bar / 120 °C 25 bar / -20 °C |
| Type of connection: | DIN / ANSI / JIS |
| Size of inlet connection: | DN 50 2 inch |
| Size of outlet connection: | DN 50 2 inch |
| Pressure rating for pipe connection: | PN 25 |
| Flange rating inlet: | 300 lb |
| Flange size for motor: | FF300 |
| Connect code: | FGJ |
| Liquid: | |
| Pumped liquid: | Water |
| Liquid temperature range: | -20 .. 120 °C |
| Liquid temperature during operation: | 20 °C |
| Density: | 998.2 kg/m ³ |
| Electrical data: | |
| Motor standard: | IEC |
| Motor type: | 160MD |
| IE Efficiency class: | IE3 |
| Rated power - P2: | 15 kW |
| Power (P2) required by pump: | 15 kW |
| Mains frequency: | 50 Hz |





Company name:

Created by:

Phone:

Date:

12/03/2019

| Description | Value |
|--|-------------------------|
| Rated voltage: | 3 x 380-415D/660-690Y V |
| Rated current: | 28,0-26,0/16,2-15,6 A |
| Starting current: | 660-780 % |
| Cos phi - power factor: | 0.89-0.87 |
| Rated speed: | 2930-2950 rpm |
| Efficiency: | IE3 91,9% |
| Motor efficiency at full load: | 91.9-91.9 % |
| Motor efficiency at 3/4 load: | 92.4 % |
| Motor efficiency at 1/2 load: | 92.4 % |
| Number of poles: | 2 |
| Enclosure class (IEC 34-5): | 55 Dust/Jetting |
| Insulation class (IEC 85): | F |
| Motor protec: | PTC |
| Motor No: | 85U17526 |
| Controls: | |
| Frequency converter: | NONE |
| Others: | |
| Minimum efficiency index, MEI $\hat{a}\%$ ¥: | 0.70 |
| Net weight: | 160 kg |
| Gross weight: | 188 kg |
| Shipping volume: | 0.488 m ³ |
| Sales region: | Great Britain |
| Country of origin: | GB |
| Custom tariff no.: | 84137075 |

96527818 CRN 20-12 A-FGJ-H-E-HQQE 50 Hz

