
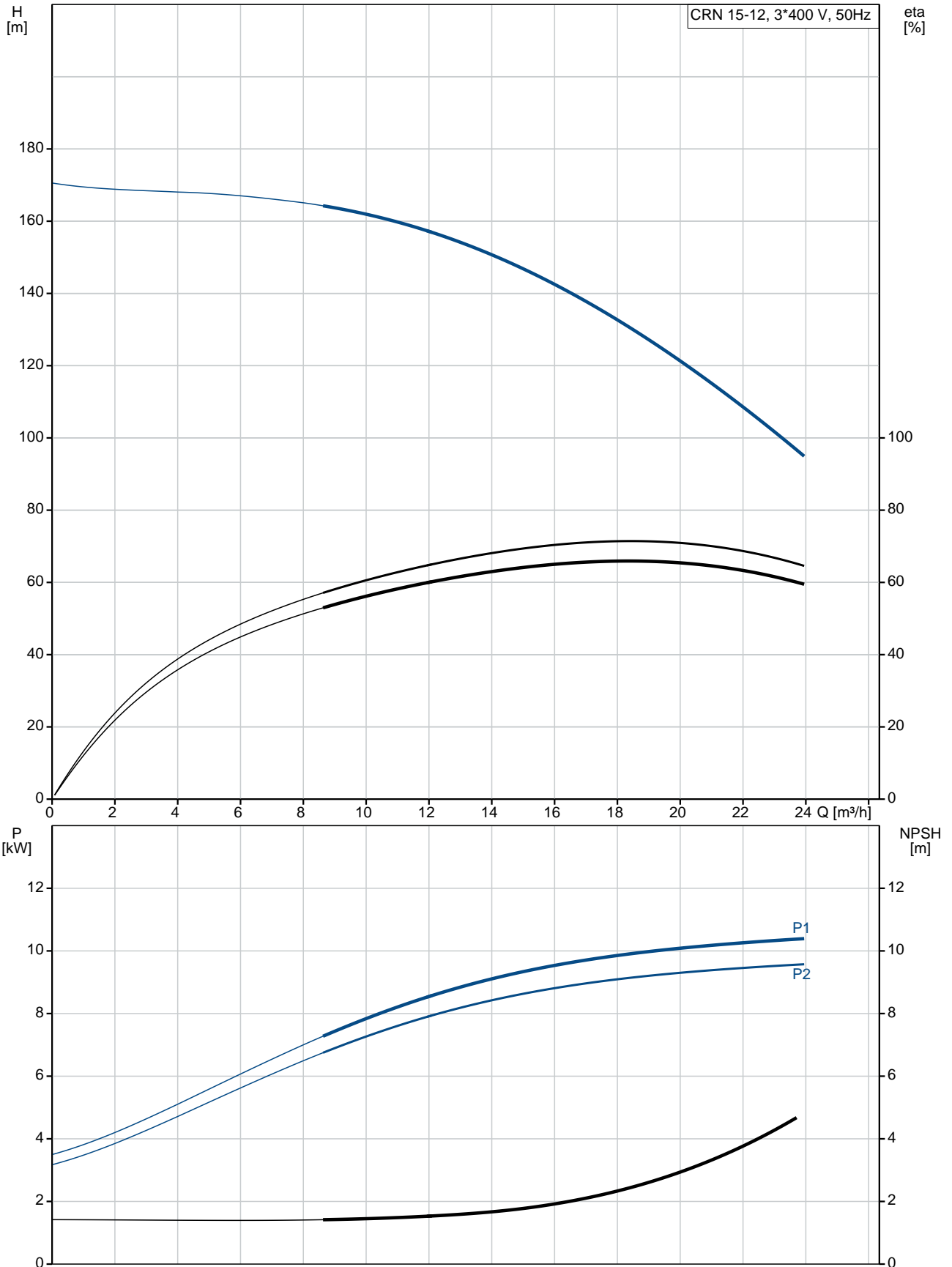


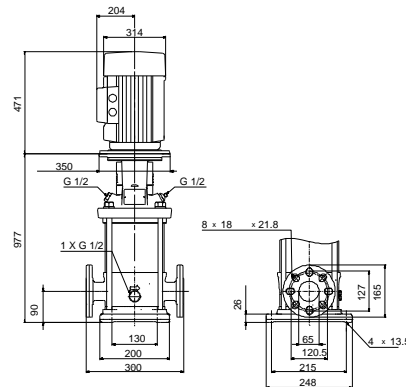
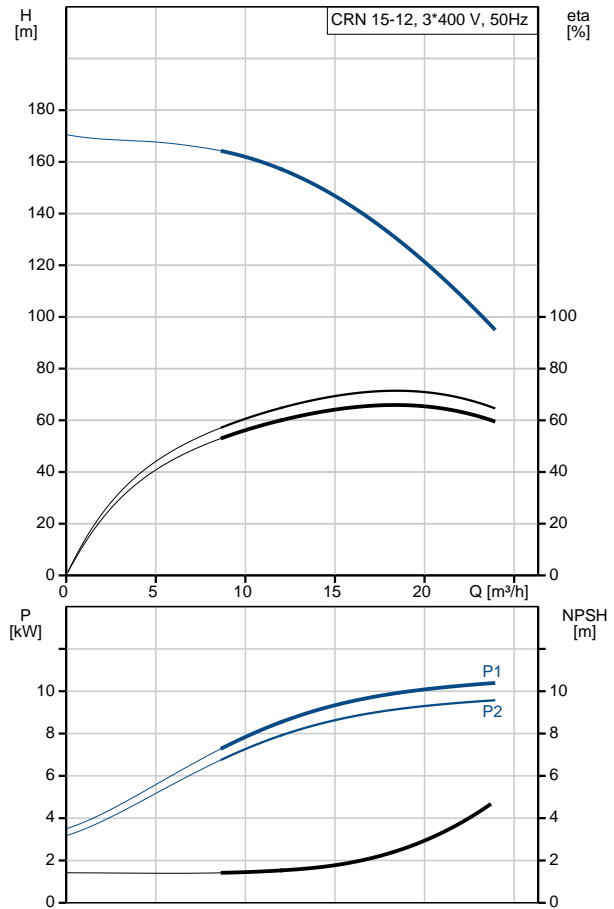
Qty.	Description
1	<p data-bbox="199 336 542 369">CRN 15-12 A-FGJ-H-E-HQQE</p>  <p data-bbox="199 660 470 683">Product No.: 96527793</p> <p data-bbox="199 716 1404 817">Vertical, multistage centrifugal pump with inlet and outlet ports on same the level (inline). Pump materials in contact with the liquid are in high-grade stainless steel. A cartridge shaft seal ensures high reliability, safe handling, and easy access and service. Power transmission is via a rigid split coupling. Pipe connection is via combined DIN-ANSI-JIS flanges.</p> <p data-bbox="199 862 933 884">The pump is fitted with a 3-phase, fan-cooled asynchronous motor.</p> <p data-bbox="199 918 319 940">Controls:</p> <p data-bbox="199 952 638 974">Frequency converter: NONE</p> <p data-bbox="199 1008 287 1030">Liquid:</p> <p data-bbox="199 1041 638 1064">Pumped liquid: Water</p> <p data-bbox="199 1064 710 1086">Liquid temperature range: -20 .. 120 °C</p> <p data-bbox="199 1086 686 1108">Liquid temperature during operation: 20 °C</p> <p data-bbox="199 1108 702 1131">Density: 998.2 kg/m³</p> <p data-bbox="199 1187 327 1209">Technical:</p> <p data-bbox="199 1220 821 1243">Pump speed on which pump data are based: 2924 rpm</p> <p data-bbox="199 1243 654 1265">Rated flow: 17 m³/h</p> <p data-bbox="199 1265 662 1288">Rated head: 135.6 m</p> <p data-bbox="199 1288 654 1310">Pump orientation: Vertical</p> <p data-bbox="199 1310 638 1332">Shaft seal arrangement: Single</p> <p data-bbox="199 1332 638 1355">Code for shaft seal: HQQE</p> <p data-bbox="199 1355 726 1377">Approvals on nameplate: CE, EAC, ACS</p> <p data-bbox="199 1377 766 1400">Curve tolerance: ISO9906:2012 3B</p> <p data-bbox="199 1478 327 1500">Materials:</p> <p data-bbox="199 1512 726 1534">Base: Stainless steel</p> <p data-bbox="566 1534 686 1556">EN 1.4408</p> <p data-bbox="566 1556 662 1579">AISI 316</p> <p data-bbox="199 1601 726 1624">Impeller: Stainless steel</p> <p data-bbox="566 1624 686 1646">EN 1.4401</p> <p data-bbox="566 1646 662 1668">AISI 316</p> <p data-bbox="199 1691 614 1713">Bearing: SIC</p> <p data-bbox="199 1747 343 1769">Installation:</p> <p data-bbox="199 1780 630 1803">Maximum ambient temperature: 60 °C</p> <p data-bbox="199 1803 638 1825">Maximum operating pressure: 25 bar</p> <p data-bbox="199 1825 742 1848">Max pressure at stated temp: 25 bar / 120 °C</p> <p data-bbox="566 1848 734 1870">25 bar / -20 °C</p> <p data-bbox="199 1892 742 1915">Type of connection: DIN / ANSI / JIS</p> <p data-bbox="199 1915 638 1937">Size of inlet connection: DN 50</p> <p data-bbox="566 1937 638 1960">2 inch</p> <p data-bbox="199 1982 638 2004">Size of outlet connection: DN 50</p> <p data-bbox="566 2004 638 2027">2 inch</p> <p data-bbox="199 2049 686 2072">Pressure rating for pipe connection: PN 25</p> <p data-bbox="199 2072 638 2094">Flange rating inlet: 300 lb</p>

Qty.	Description
	<p>Flange size for motor: FF300</p> <p>Electrical data:</p> <p>Motor standard: IEC</p> <p>Motor type: 160MB</p> <p>IE Efficiency class: IE3</p> <p>Rated power - P2: 11 kW</p> <p>Power (P2) required by pump: 11 kW</p> <p>Mains frequency: 50 Hz</p> <p>Rated voltage: 3 x 380-415D/660-690Y V</p> <p>Rated current: 20,8-19,8/12,0-11,8 A</p> <p>Starting current: 660-780 %</p> <p>Cos phi - power factor: 0.88-0.84</p> <p>Rated speed: 2940-2950 rpm</p> <p>Efficiency: IE3 91,2%</p> <p>Motor efficiency at full load: 91.2-91.2 %</p> <p>Motor efficiency at 3/4 load: 91.8 %</p> <p>Motor efficiency at 1/2 load: 91.3 %</p> <p>Number of poles: 2</p> <p>Enclosure class (IEC 34-5): 55 Dust/Jetting</p> <p>Insulation class (IEC 85): F</p> <p>Others:</p> <p>Minimum efficiency index, MEI $\hat{\alpha}\%$: 0.70</p> <p>Net weight: 148 kg</p> <p>Gross weight: 177 kg</p> <p>Shipping volume: 0.488 m³</p> <p>Country of origin: GB</p> <p>Custom tariff no.: 84137075</p>

96527793 CRN 15-12 A-FGJ-H-E-HQQE 50 Hz



Description	Value
General information:	
Product name:	CRN 15-12 A-FGJ-H-E-HQQE
Product No:	96527793
EAN number:	5700397086360
Price:	4.618,00 GBP
Technical:	
Pump speed on which pump data are based:	2924 rpm
Rated flow:	17 m ³ /h
Rated head:	135.6 m
Head max:	169 m
Stages:	12
Impellers:	12
Number of reduced-diameter impellers:	0
Low NPSH:	N
Pump orientation:	Vertical
Shaft seal arrangement:	Single
Code for shaft seal:	HQQE
Approvals on nameplate:	CE, EAC, ACS
Curve tolerance:	ISO9906:2012 3B
Pump version:	A
Model:	A
Materials:	
Base:	Stainless steel EN 1.4408 AISI 316
Impeller:	Stainless steel EN 1.4401 AISI 316
Material code:	H
Code for rubber:	E
Bearing:	SIC
Installation:	
Maximum ambient temperature:	60 °C
Maximum operating pressure:	25 bar
Max pressure at stated temp:	25 bar / 120 °C 25 bar / -20 °C
Type of connection:	DIN / ANSI / JIS
Size of inlet connection:	DN 50 2 inch
Size of outlet connection:	DN 50 2 inch
Pressure rating for pipe connection:	PN 25
Flange rating inlet:	300 lb
Flange size for motor:	FF300
Connect code:	FGJ
Liquid:	
Pumped liquid:	Water
Liquid temperature range:	-20 .. 120 °C
Liquid temperature during operation:	20 °C
Density:	998.2 kg/m ³
Electrical data:	
Motor standard:	IEC
Motor type:	160MB
IE Efficiency class:	IE3
Rated power - P2:	11 kW
Power (P2) required by pump:	11 kW
Mains frequency:	50 Hz





Company name:

Created by:

Phone:

Date:

12/03/2019

Description	Value
Rated voltage:	3 x 380-415D/660-690Y V
Rated current:	20,8-19,8/12,0-11,8 A
Starting current:	660-780 %
Cos phi - power factor:	0.88-0.84
Rated speed:	2940-2950 rpm
Efficiency:	IE3 91,2%
Motor efficiency at full load:	91.2-91.2 %
Motor efficiency at 3/4 load:	91.8 %
Motor efficiency at 1/2 load:	91.3 %
Number of poles:	2
Enclosure class (IEC 34-5):	55 Dust/Jetting
Insulation class (IEC 85):	F
Motor protec:	PTC
Motor No:	85U17524
Controls:	
Frequency converter:	NONE
Others:	
Minimum efficiency index, MEI $\hat{a}\%$ ¥:	0.70
Net weight:	148 kg
Gross weight:	177 kg
Shipping volume:	0.488 m ³
Sales region:	Great Britain
Country of origin:	GB
Custom tariff no.:	84137075

96527793 CRN 15-12 A-FGJ-H-E-HQQE 50 Hz

