
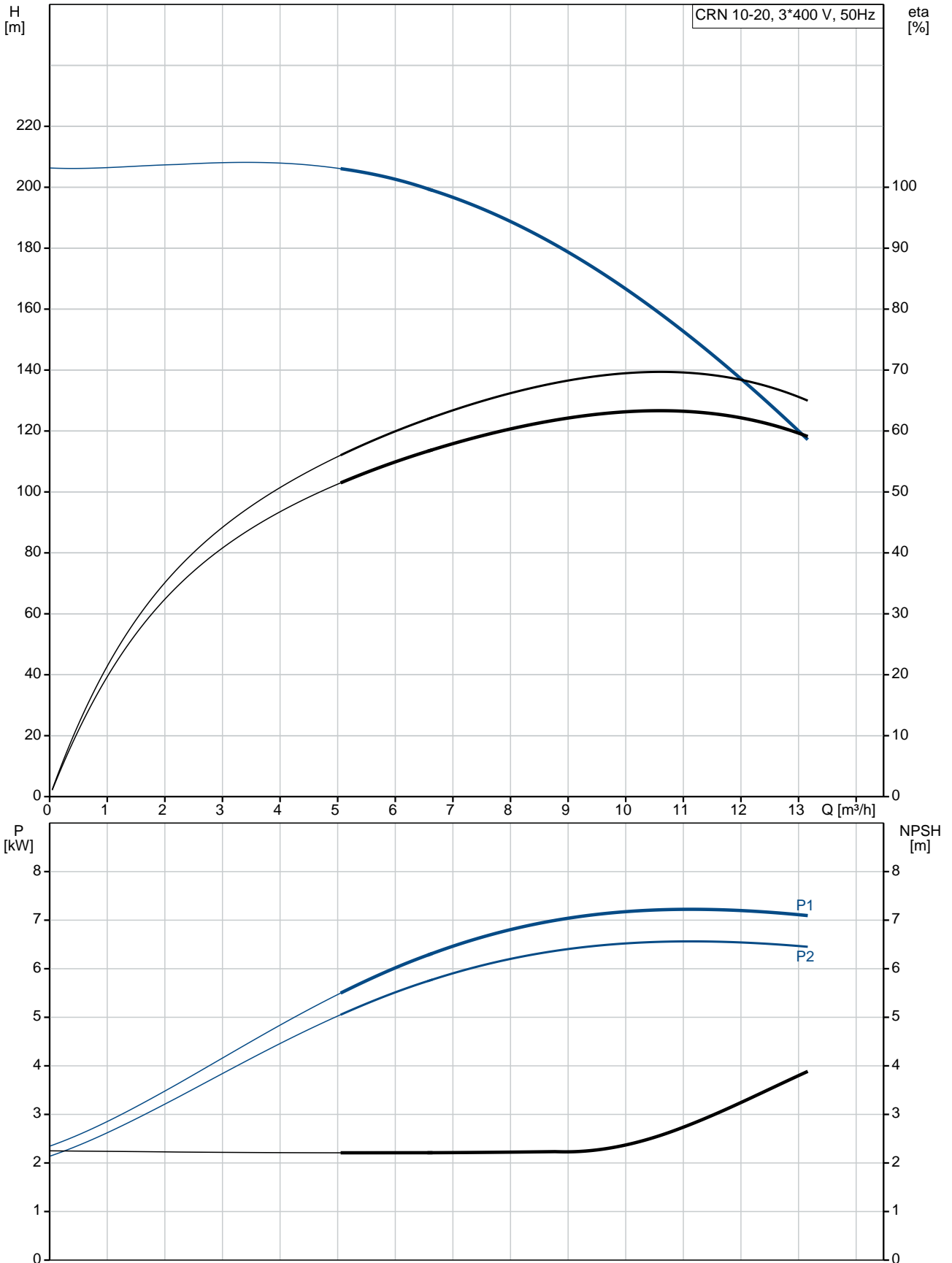


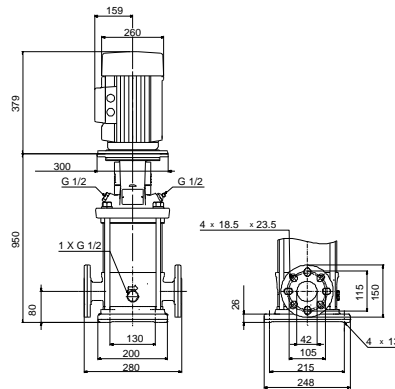
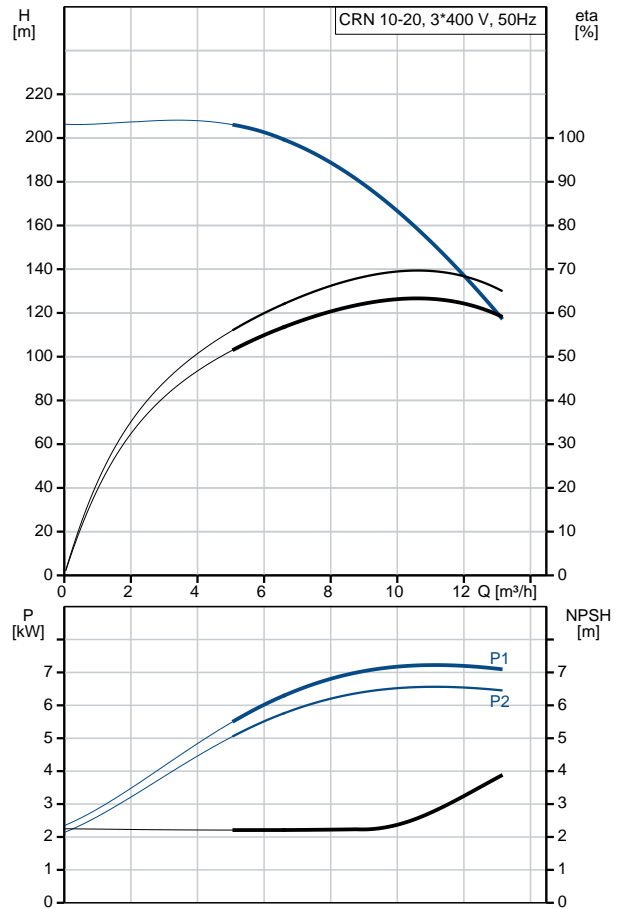
Qty.	Description
1	<p data-bbox="197 338 542 369">CRN 10-20 A-FGJ-H-E-HQQE</p>  <p data-bbox="197 660 470 692">Product No.: 96527756</p> <p data-bbox="197 719 1404 822">Vertical, multistage centrifugal pump with inlet and outlet ports on same the level (inline). Pump materials in contact with the liquid are in high-grade stainless steel. A cartridge shaft seal ensures high reliability, safe handling, and easy access and service. Power transmission is via a rigid split coupling. Pipe connection is via combined DIN-ANSI-JIS flanges.</p> <p data-bbox="197 862 933 893">The pump is fitted with a 3-phase, fan-cooled asynchronous motor.</p> <p data-bbox="197 920 311 952">Controls:</p> <p data-bbox="197 952 638 983">Frequency converter: NONE</p> <p data-bbox="197 1010 287 1041">Liquid:</p> <p data-bbox="197 1041 638 1072">Pumped liquid: Water</p> <p data-bbox="197 1072 710 1104">Liquid temperature range: -20 .. 120 °C</p> <p data-bbox="197 1104 686 1135">Liquid temperature during operation: 20 °C</p> <p data-bbox="197 1135 702 1167">Density: 998.2 kg/m³</p> <p data-bbox="197 1193 327 1225">Technical:</p> <p data-bbox="197 1225 821 1256">Pump speed on which pump data are based: 2919 rpm</p> <p data-bbox="197 1256 654 1288">Rated flow: 10 m³/h</p> <p data-bbox="197 1288 662 1319">Rated head: 165.2 m</p> <p data-bbox="197 1319 654 1350">Pump orientation: Vertical</p> <p data-bbox="197 1350 638 1382">Shaft seal arrangement: Single</p> <p data-bbox="197 1382 638 1413">Code for shaft seal: HQQE</p> <p data-bbox="197 1413 726 1444">Approvals on nameplate: CE, EAC, ACS</p> <p data-bbox="197 1444 766 1476">Curve tolerance: ISO9906:2012 3B</p> <p data-bbox="197 1503 319 1534">Materials:</p> <p data-bbox="197 1534 726 1601">Base: Stainless steel EN 1.4408 AISI 316</p> <p data-bbox="197 1601 726 1691">Impeller: Stainless steel EN 1.4401 AISI 316</p> <p data-bbox="197 1691 614 1722">Bearing: SIC</p> <p data-bbox="197 1749 343 1780">Installation:</p> <p data-bbox="197 1780 630 1812">Maximum ambient temperature: 60 °C</p> <p data-bbox="197 1812 638 1843">Maximum operating pressure: 25 bar</p> <p data-bbox="197 1843 742 1910">Max pressure at stated temp: 25 bar / 120 °C 25 bar / -20 °C</p> <p data-bbox="197 1910 742 1942">Type of connection: DIN / ANSI / JIS</p> <p data-bbox="197 1942 678 2009">Size of inlet connection: DN 40 1 1/2 inch</p> <p data-bbox="197 2009 678 2076">Size of outlet connection: DN 40 1 1/2 inch</p> <p data-bbox="197 2076 686 2107">Pressure rating for pipe connection: PN 25</p> <p data-bbox="197 2107 638 2139">Flange rating inlet: 300 lb</p>

Qty.	Description
	<p>Flange size for motor: FF265</p> <p>Electrical data:</p> <p>Motor standard: IEC</p> <p>Motor type: 132SB</p> <p>IE Efficiency class: IE3</p> <p>Rated power - P2: 7.5 kW</p> <p>Power (P2) required by pump: 7.5 kW</p> <p>Mains frequency: 50 Hz</p> <p>Rated voltage: 3 x 380-415D/660-690Y V</p> <p>Rated current: 14,4-14,0/8,30-8,10 A</p> <p>Starting current: 780-910 %</p> <p>Cos phi - power factor: 0.88-0.82</p> <p>Rated speed: 2910-2920 rpm</p> <p>Efficiency: IE3 90,1%</p> <p>Motor efficiency at full load: 90.1-90.4 %</p> <p>Motor efficiency at 3/4 load: 90.8 %</p> <p>Motor efficiency at 1/2 load: 90.8 %</p> <p>Number of poles: 2</p> <p>Enclosure class (IEC 34-5): 55 Dust/Jetting</p> <p>Insulation class (IEC 85): F</p> <p>Others:</p> <p>Minimum efficiency index, MEI $\hat{\alpha}\%$: 0.70</p> <p>Net weight: 109 kg</p> <p>Gross weight: 131 kg</p> <p>Shipping volume: 0.321 m³</p> <p>Country of origin: GB</p> <p>Custom tariff no.: 84137075</p>

96527756 CRN 10-20 A-FGJ-H-E-HQQE 50 Hz



Description	Value
General information:	
Product name:	CRN 10-20 A-FGJ-H-E-HQQE
Product No:	96527756
EAN number:	5700397084960
Price:	3.770,00 GBP
Technical:	
Pump speed on which pump data are based:	2919 rpm
Rated flow:	10 m ³ /h
Rated head:	165.2 m
Head max:	205 m
Stages:	20
Impellers:	20
Number of reduced-diameter impellers:	0
Low NPSH:	N
Pump orientation:	Vertical
Shaft seal arrangement:	Single
Code for shaft seal:	HQQE
Approvals on nameplate:	CE, EAC, ACS
Curve tolerance:	ISO9906:2012 3B
Pump version:	A
Model:	A
Materials:	
Base:	Stainless steel EN 1.4408 AISI 316
Impeller:	Stainless steel EN 1.4401 AISI 316
Material code:	H
Code for rubber:	E
Bearing:	SIC
Installation:	
Maximum ambient temperature:	60 °C
Maximum operating pressure:	25 bar
Max pressure at stated temp:	25 bar / 120 °C 25 bar / -20 °C
Type of connection:	DIN / ANSI / JIS
Size of inlet connection:	DN 40 1 1/2 inch
Size of outlet connection:	DN 40 1 1/2 inch
Pressure rating for pipe connection:	PN 25
Flange rating inlet:	300 lb
Flange size for motor:	FF265
Connect code:	FGJ
Liquid:	
Pumped liquid:	Water
Liquid temperature range:	-20 .. 120 °C
Liquid temperature during operation:	20 °C
Density:	998.2 kg/m ³
Electrical data:	
Motor standard:	IEC
Motor type:	132SB
IE Efficiency class:	IE3
Rated power - P2:	7.5 kW
Power (P2) required by pump:	7.5 kW
Mains frequency:	50 Hz





Company name:

Created by:

Phone:

Date:

12/03/2019

Description	Value
Rated voltage:	3 x 380-415D/660-690Y V
Rated current:	14,4-14,0/8,30-8,10 A
Starting current:	780-910 %
Cos phi - power factor:	0.88-0.82
Rated speed:	2910-2920 rpm
Efficiency:	IE3 90,1%
Motor efficiency at full load:	90.1-90.4 %
Motor efficiency at 3/4 load:	90.8 %
Motor efficiency at 1/2 load:	90.8 %
Number of poles:	2
Enclosure class (IEC 34-5):	55 Dust/Jetting
Insulation class (IEC 85):	F
Motor protec:	PTC
Motor No:	85U17522
Controls:	
Frequency converter:	NONE
Others:	
Minimum efficiency index, MEI $\hat{\alpha}\%$:	0.70
Net weight:	109 kg
Gross weight:	131 kg
Shipping volume:	0.321 m ³
Sales region:	Great Britain
Country of origin:	GB
Custom tariff no.:	84137075

96527756 CRN 10-20 A-FGJ-H-E-HQQE 50 Hz

