
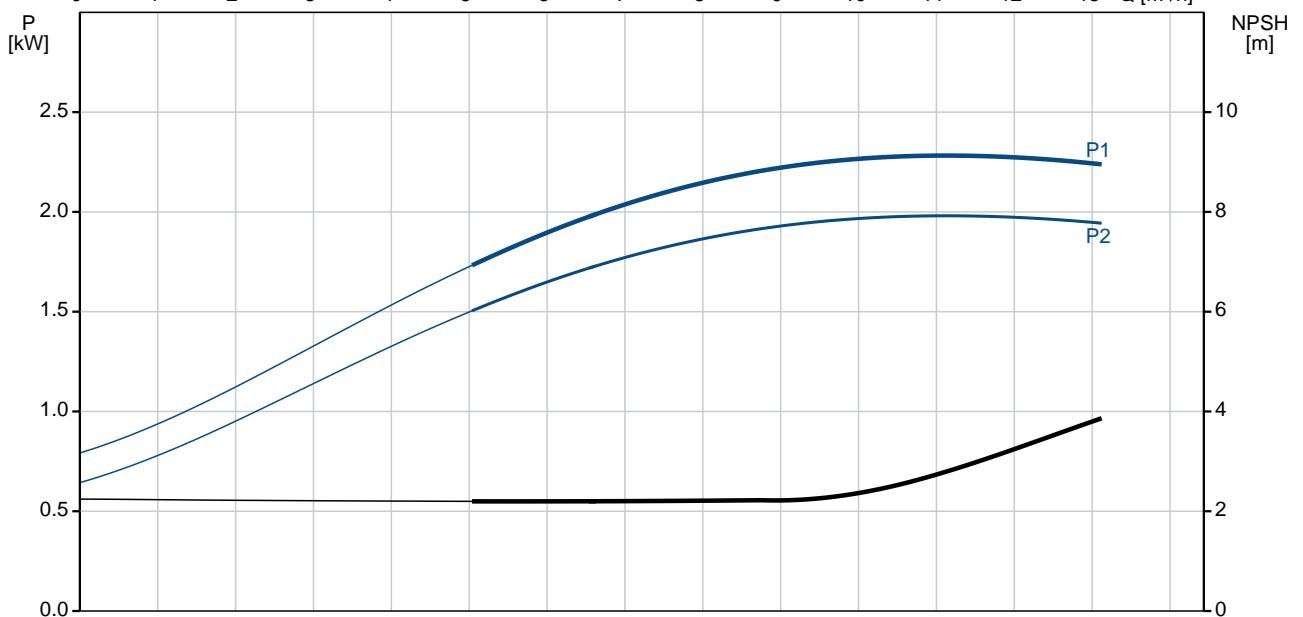
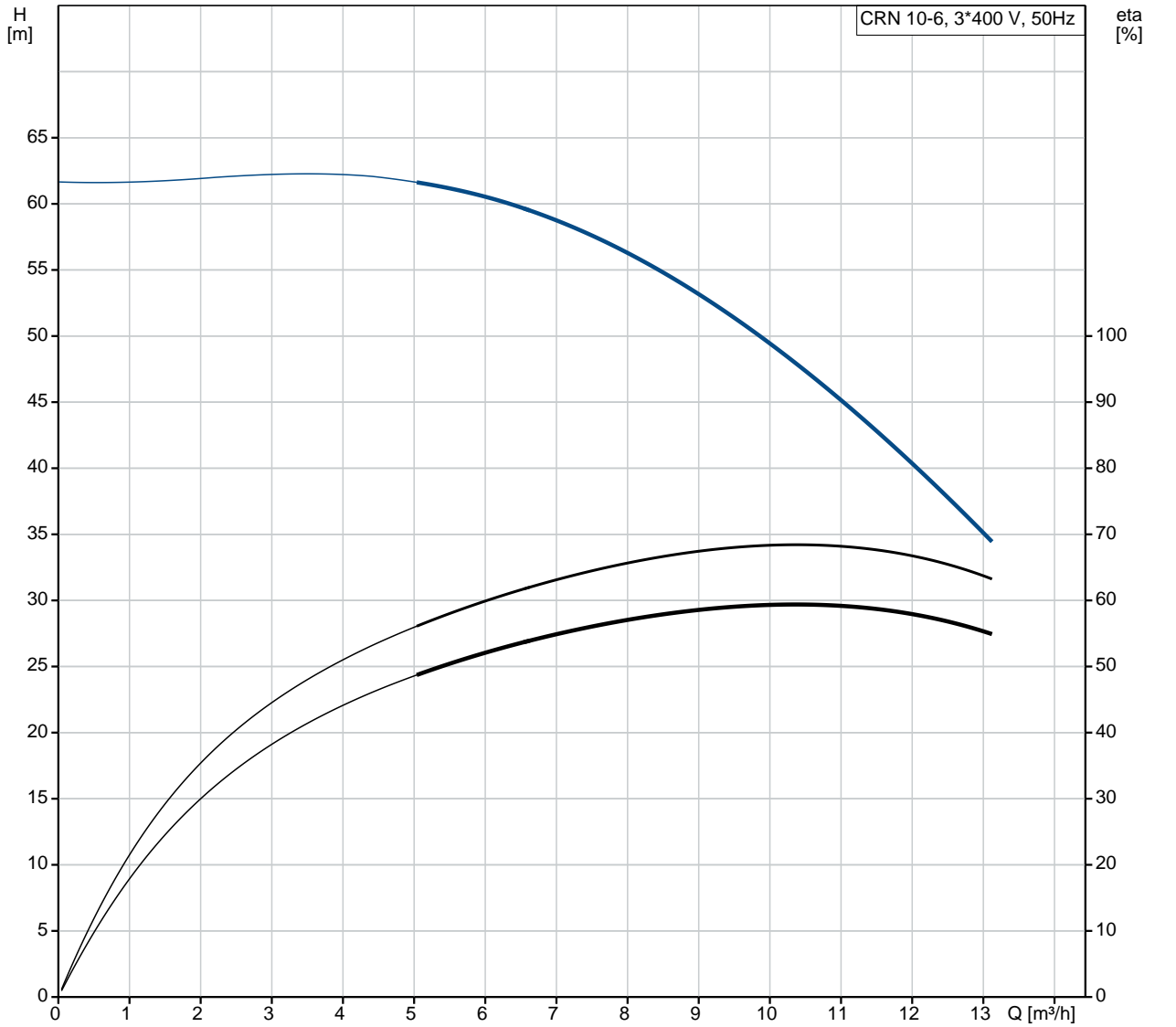


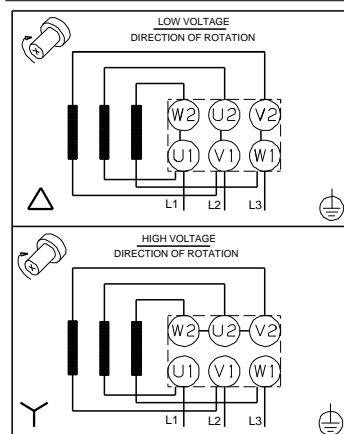
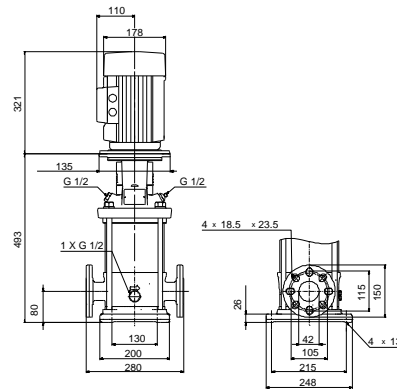
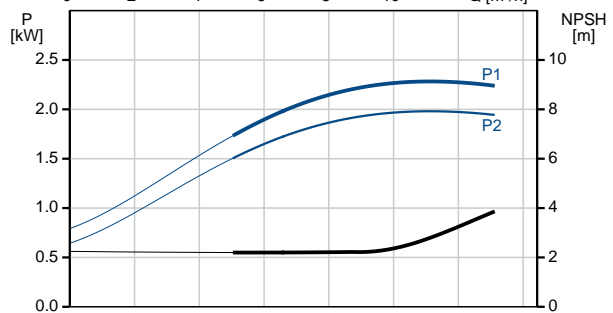
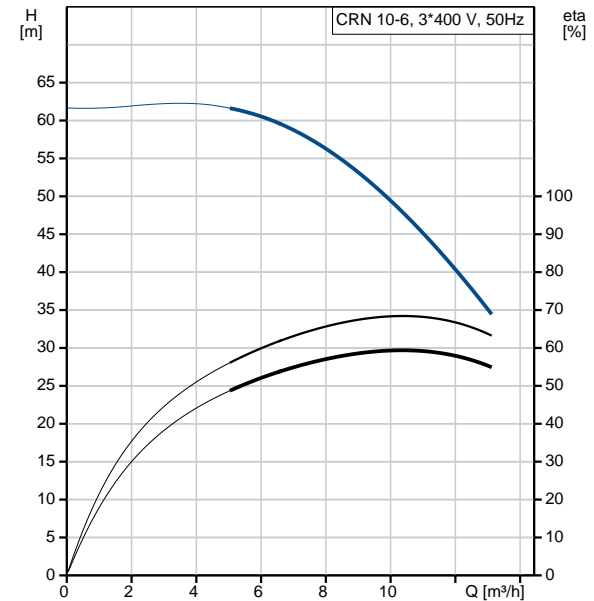
Qty.	Description
1	<p data-bbox="199 336 526 369">CRN 10-6 A-FGJ-H-E-HQQE</p>  <p data-bbox="199 660 470 683">Product No.: 96527745</p> <p data-bbox="199 716 1404 817">Vertical, multistage centrifugal pump with inlet and outlet ports on same the level (inline). Pump materials in contact with the liquid are in high-grade stainless steel. A cartridge shaft seal ensures high reliability, safe handling, and easy access and service. Power transmission is via a rigid split coupling. Pipe connection is via combined DIN-ANSI-JIS flanges.</p> <p data-bbox="199 862 933 884">The pump is fitted with a 3-phase, fan-cooled asynchronous motor.</p> <p data-bbox="199 918 319 940">Controls:</p> <p data-bbox="199 952 638 974">Frequency converter: NONE</p> <p data-bbox="199 1008 287 1030">Liquid:</p> <p data-bbox="199 1041 638 1064">Pumped liquid: Water</p> <p data-bbox="199 1064 702 1086">Liquid temperature range: -20 .. 120 °C</p> <p data-bbox="199 1086 686 1108">Liquid temperature during operation: 20 °C</p> <p data-bbox="199 1108 702 1131">Density: 998.2 kg/m³</p> <p data-bbox="199 1187 327 1209">Technical:</p> <p data-bbox="199 1220 821 1243">Pump speed on which pump data are based: 2899 rpm</p> <p data-bbox="199 1243 654 1265">Rated flow: 10 m³/h</p> <p data-bbox="199 1265 646 1288">Rated head: 48.3 m</p> <p data-bbox="199 1288 646 1310">Pump orientation: Vertical</p> <p data-bbox="199 1310 638 1332">Shaft seal arrangement: Single</p> <p data-bbox="199 1332 638 1355">Code for shaft seal: HQQE</p> <p data-bbox="199 1355 726 1377">Approvals on nameplate: CE, EAC, ACS</p> <p data-bbox="199 1377 766 1400">Curve tolerance: ISO9906:2012 3B</p> <p data-bbox="199 1478 319 1500">Materials:</p> <p data-bbox="199 1512 726 1534">Base: Stainless steel</p> <p data-bbox="566 1534 686 1556">EN 1.4408</p> <p data-bbox="566 1556 662 1579">AISI 316</p> <p data-bbox="199 1601 726 1624">Impeller: Stainless steel</p> <p data-bbox="566 1624 686 1646">EN 1.4401</p> <p data-bbox="566 1646 662 1668">AISI 316</p> <p data-bbox="199 1691 614 1713">Bearing: SIC</p> <p data-bbox="199 1747 343 1769">Installation:</p> <p data-bbox="199 1780 630 1803">Maximum ambient temperature: 60 °C</p> <p data-bbox="199 1803 638 1825">Maximum operating pressure: 25 bar</p> <p data-bbox="199 1825 742 1848">Max pressure at stated temp: 25 bar / 120 °C</p> <p data-bbox="566 1848 734 1870">25 bar / -20 °C</p> <p data-bbox="199 1892 742 1915">Type of connection: DIN / ANSI / JIS</p> <p data-bbox="199 1915 638 1937">Size of inlet connection: DN 40</p> <p data-bbox="566 1937 678 1960">1 1/2 inch</p> <p data-bbox="199 1982 638 2004">Size of outlet connection: DN 40</p> <p data-bbox="566 2004 678 2027">1 1/2 inch</p> <p data-bbox="199 2049 686 2072">Pressure rating for pipe connection: PN 25</p> <p data-bbox="199 2072 638 2094">Flange rating inlet: 300 lb</p>

Qty.	Description
	<p>Flange size for motor: FT115</p> <p>Electrical data:</p> <p>Motor standard: IEC</p> <p>Motor type: 90LC</p> <p>IE Efficiency class: IE3</p> <p>Rated power - P2: 2.2 kW</p> <p>Power (P2) required by pump: 2.2 kW</p> <p>Mains frequency: 50 Hz</p> <p>Rated voltage: 3 x 220-240D/380-415Y V</p> <p>Rated current: 7.70/4.45 A</p> <p>Starting current: 850-950 %</p> <p>Cos phi - power factor: 0.89-0.87</p> <p>Rated speed: 2890-2910 rpm</p> <p>Efficiency: IE3 85,9%</p> <p>Motor efficiency at full load: 85.9 %</p> <p>Motor efficiency at 3/4 load: 86.8 %</p> <p>Motor efficiency at 1/2 load: 86.0 %</p> <p>Number of poles: 2</p> <p>Enclosure class (IEC 34-5): 55 Dust/Jetting</p> <p>Insulation class (IEC 85): F</p> <p>Others:</p> <p>Minimum efficiency index, MEI $\hat{\alpha}\%$: 0.70</p> <p>Net weight: 51 kg</p> <p>Gross weight: 55 kg</p> <p>Shipping volume: 0.104 m³</p> <p>Country of origin: GB</p> <p>Custom tariff no.: 84137075</p>

96527745 CRN 10-6 A-FGJ-H-E-HQQE 50 Hz



Description	Value
General information:	
Product name:	CRN 10-6 A-FGJ-H-E-HQQE
Product No:	96527745
EAN number:	5700397084854
Price:	1.976,00 GBP
Technical:	
Pump speed on which pump data are based:	2899 rpm
Rated flow:	10 m ³ /h
Rated head:	48.3 m
Head max:	61.2 m
Stages:	6
Impellers:	6
Number of reduced-diameter impellers:	0
Low NPSH:	N
Pump orientation:	Vertical
Shaft seal arrangement:	Single
Code for shaft seal:	HQQE
Approvals on nameplate:	CE, EAC, ACS
Curve tolerance:	ISO9906:2012 3B
Pump version:	A
Model:	A
Materials:	
Base:	Stainless steel EN 1.4408 AISI 316
Impeller:	Stainless steel EN 1.4401 AISI 316
Material code:	H
Code for rubber:	E
Bearing:	SIC
Installation:	
Maximum ambient temperature:	60 °C
Maximum operating pressure:	25 bar
Max pressure at stated temp:	25 bar / 120 °C 25 bar / -20 °C
Type of connection:	DIN / ANSI / JIS
Size of inlet connection:	DN 40 1 1/2 inch
Size of outlet connection:	DN 40 1 1/2 inch
Pressure rating for pipe connection:	PN 25
Flange rating inlet:	300 lb
Flange size for motor:	FT115
Connect code:	FGJ
Liquid:	
Pumped liquid:	Water
Liquid temperature range:	-20 .. 120 °C
Liquid temperature during operation:	20 °C
Density:	998.2 kg/m ³
Electrical data:	
Motor standard:	IEC
Motor type:	90LC
IE Efficiency class:	IE3
Rated power - P2:	2.2 kW
Power (P2) required by pump:	2.2 kW
Mains frequency:	50 Hz





Company name:

Created by:

Phone:

Date:

12/03/2019

Description	Value
Rated voltage:	3 x 220-240D/380-415Y V
Rated current:	7.70/4.45 A
Starting current:	850-950 %
Cos phi - power factor:	0.89-0.87
Rated speed:	2890-2910 rpm
Efficiency:	IE3 85,9%
Motor efficiency at full load:	85.9 %
Motor efficiency at 3/4 load:	86.8 %
Motor efficiency at 1/2 load:	86.0 %
Number of poles:	2
Enclosure class (IEC 34-5):	55 Dust/Jetting
Insulation class (IEC 85):	F
Motor protec:	NONE
Motor No:	85U05908
Controls:	
Frequency converter:	NONE
Others:	
Minimum efficiency index, MEI $\hat{\alpha}\%$:	0.70
Net weight:	51 kg
Gross weight:	55 kg
Shipping volume:	0.104 m ³
Sales region:	Great Britain
Country of origin:	GB
Custom tariff no.:	84137075

96527745 CRN 10-6 A-FGJ-H-E-HQQE 50 Hz

