
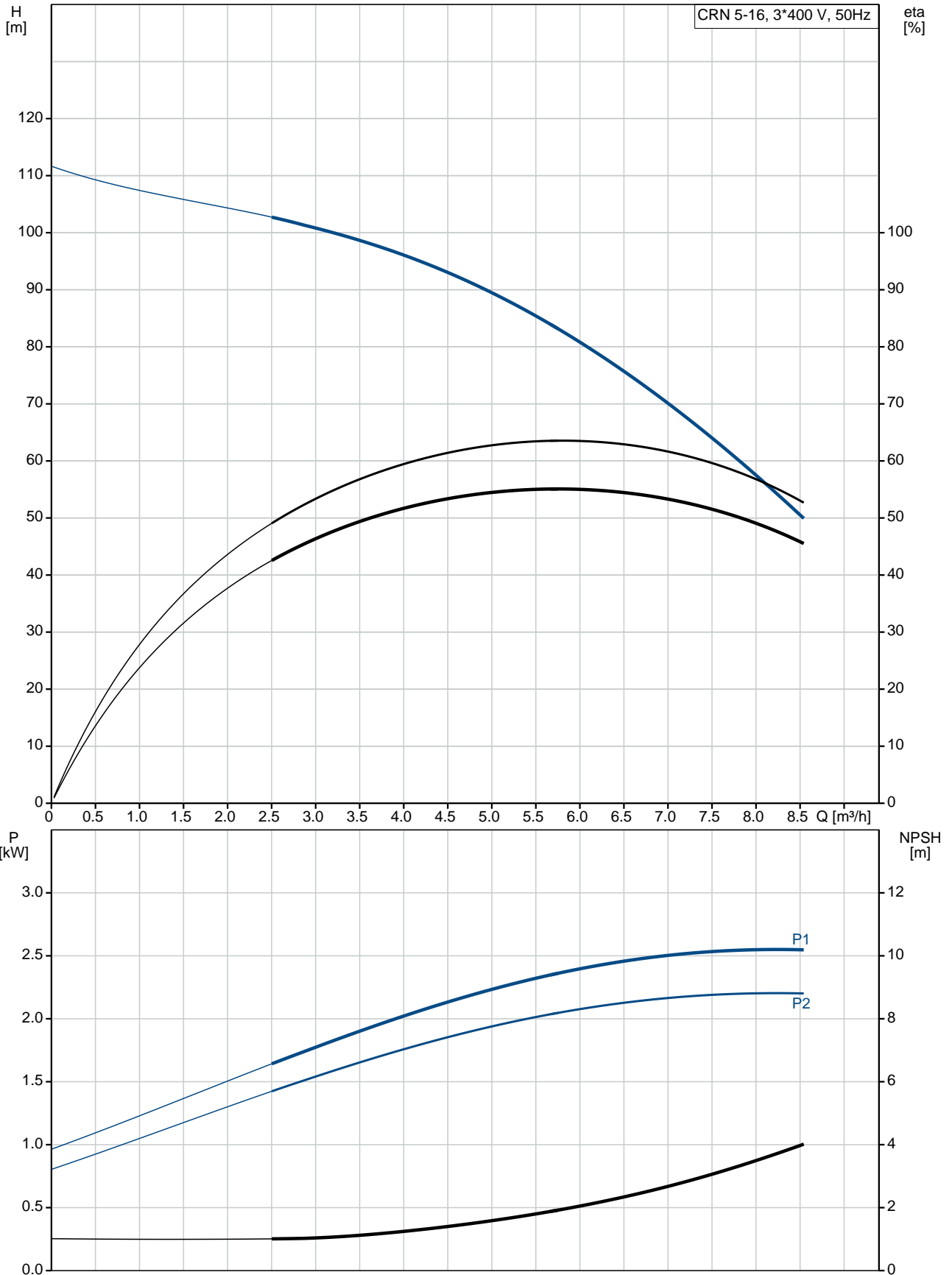


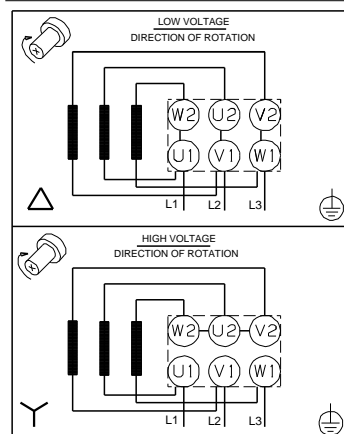
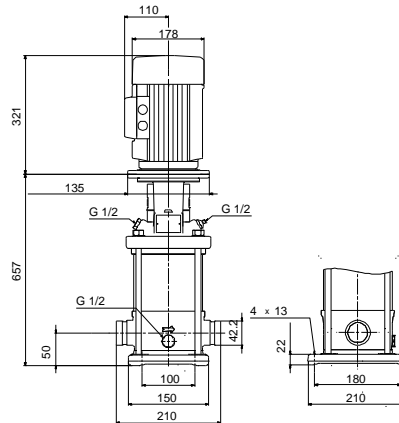
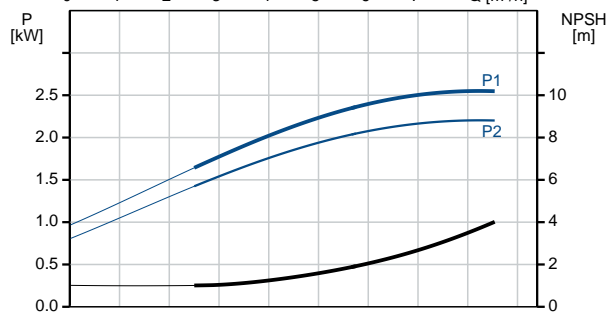
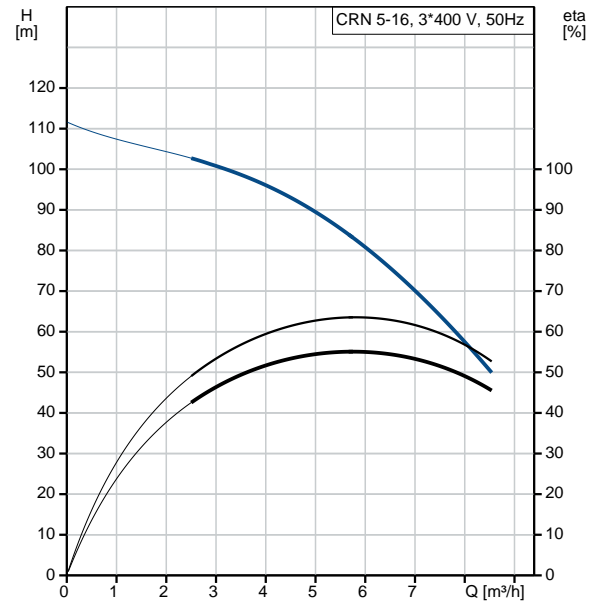
Qty.	Description
1	<p data-bbox="199 338 497 369"><b>CRN 5-16 A-P-A-E-HQQE</b></p>  <p data-bbox="199 660 470 689">Product No.: <a href="#">96517252</a></p> <p data-bbox="199 719 1455 824">Vertical, multistage centrifugal pump with inlet and outlet ports on same the level (inline). Pump materials in contact with the liquid are in high-grade stainless steel. A cartridge shaft seal ensures high reliability, safe handling, and easy access and service. Power transmission is via a rigid split coupling. Pipe connection is via PJE (Victaulic®) couplings.</p> <p data-bbox="199 862 933 891">The pump is fitted with a 3-phase, fan-cooled asynchronous motor.</p> <p data-bbox="199 922 311 952"><b>Controls:</b></p> <p data-bbox="199 952 638 981">Frequency converter: NONE</p> <p data-bbox="199 1012 287 1041"><b>Liquid:</b></p> <p data-bbox="199 1041 638 1070">Pumped liquid: Water</p> <p data-bbox="199 1070 710 1099">Liquid temperature range: -20 .. 120 °C</p> <p data-bbox="199 1099 686 1128">Liquid temperature during operation: 20 °C</p> <p data-bbox="199 1128 702 1158">Density: 998.2 kg/m<sup>3</sup></p> <p data-bbox="199 1189 327 1218"><b>Technical:</b></p> <p data-bbox="199 1218 821 1247">Pump speed on which pump data are based: 2899 rpm</p> <p data-bbox="199 1247 662 1276">Rated flow: 5.8 m<sup>3</sup>/h</p> <p data-bbox="199 1276 646 1305">Rated head: 80.8 m</p> <p data-bbox="199 1305 646 1335">Pump orientation: Vertical</p> <p data-bbox="199 1335 638 1364">Shaft seal arrangement: Single</p> <p data-bbox="199 1364 638 1393">Code for shaft seal: HQQE</p> <p data-bbox="199 1393 726 1422">Approvals on nameplate: CE, EAC, ACS</p> <p data-bbox="199 1422 766 1451">Curve tolerance: ISO9906:2012 3B</p> <p data-bbox="199 1482 319 1512"><b>Materials:</b></p> <p data-bbox="199 1512 726 1601">Base: Stainless steel EN 1.4408 AISI 316</p> <p data-bbox="199 1601 726 1691">Impeller: Stainless steel EN 1.4401 AISI 316</p> <p data-bbox="199 1691 614 1720">Bearing: SIC</p> <p data-bbox="199 1751 343 1780"><b>Installation:</b></p> <p data-bbox="199 1780 630 1809">Maximum ambient temperature: 60 °C</p> <p data-bbox="199 1809 638 1839">Maximum operating pressure: 25 bar</p> <p data-bbox="199 1839 742 1904">Max pressure at stated temp: 25 bar / 120 °C 25 bar / -20 °C</p> <p data-bbox="199 1904 614 1933">Type of connection: PJE</p> <p data-bbox="199 1933 678 1998">Size of inlet connection: DN 32 1 1/4 inch</p> <p data-bbox="199 1998 678 2063">Size of outlet connection: DN 32 1 1/4 inch</p> <p data-bbox="199 2063 686 2092">Pressure rating for pipe connection: PN 50</p> <p data-bbox="199 2092 638 2121">Flange size for motor: FT115</p>

Qty.	Description
	<p><b>Electrical data:</b></p> <p>Motor standard: IEC</p> <p>Motor type: 90LC</p> <p>IE Efficiency class: IE3</p> <p>Rated power - P2: 2.2 kW</p> <p>Power (P2) required by pump: 2.2 kW</p> <p>Mains frequency: 50 Hz</p> <p>Rated voltage: 3 x 220-240D/380-415Y V</p> <p>Rated current: 7.70/4.45 A</p> <p>Starting current: 850-950 %</p> <p>Cos phi - power factor: 0.89-0.87</p> <p>Rated speed: 2890-2910 rpm</p> <p>Efficiency: IE3 85,9%</p> <p>Motor efficiency at full load: 85.9 %</p> <p>Motor efficiency at 3/4 load: 86.8 %</p> <p>Motor efficiency at 1/2 load: 86.0 %</p> <p>Number of poles: 2</p> <p>Enclosure class (IEC 34-5): 55 Dust/Jetting</p> <p>Insulation class (IEC 85): F</p> <p><b>Others:</b></p> <p>Minimum efficiency index, MEI <math>\hat{\alpha}\%</math>: 0.57</p> <p>Net weight: 40.2 kg</p> <p>Gross weight: 43.1 kg</p> <p>Shipping volume: 0.13 m<sup>3</sup></p> <p>Danish VVS No.: 385912016</p> <p>Norwegian NRF no.: 9040481</p> <p>Country of origin: HU</p> <p>Custom tariff no.: 84137075</p>

## 96517252 CRN 5-16 A-P-A-E-HQQE 50 Hz



Description	Value
<b>General information:</b>	
Product name:	CRN 5-16 A-P-A-E-HQQE
Product No:	96517252
EAN number:	5700396759227
Price:	1.597,00 GBP
<b>Technical:</b>	
Pump speed on which pump data are based:	2899 rpm
Rated flow:	5.8 m <sup>3</sup> /h
Rated head:	80.8 m
Head max:	108.4 m
Stages:	16
Impellers:	16
Number of reduced-diameter impellers:	0
Low NPSH:	N
Pump orientation:	Vertical
Shaft seal arrangement:	Single
Code for shaft seal:	HQQE
Approvals on nameplate:	CE, EAC, ACS
Curve tolerance:	ISO9906:2012 3B
Pump version:	A
Model:	A
<b>Materials:</b>	
Base:	Stainless steel EN 1.4408 AISI 316
Impeller:	Stainless steel EN 1.4401 AISI 316
Material code:	A
Code for rubber:	E
Bearing:	SIC
<b>Installation:</b>	
Maximum ambient temperature:	60 °C
Maximum operating pressure:	25 bar
Max pressure at stated temp:	25 bar / 120 °C 25 bar / -20 °C
Type of connection:	PJE
Size of inlet connection:	DN 32 1 1/4 inch
Size of outlet connection:	DN 32 1 1/4 inch
Pressure rating for pipe connection:	PN 50
Flange size for motor:	FT115
Connect code:	P
<b>Liquid:</b>	
Pumped liquid:	Water
Liquid temperature range:	-20 .. 120 °C
Liquid temperature during operation:	20 °C
Density:	998.2 kg/m <sup>3</sup>
<b>Electrical data:</b>	
Motor standard:	IEC
Motor type:	90LC
IE Efficiency class:	IE3
Rated power - P2:	2.2 kW
Power (P2) required by pump:	2.2 kW
Mains frequency:	50 Hz





Company name:

Created by:

Phone:

Date:

07/03/2019

Description	Value
Rated voltage:	3 x 220-240D/380-415Y V
Rated current:	7.70/4.45 A
Starting current:	850-950 %
Cos phi - power factor:	0.89-0.87
Rated speed:	2890-2910 rpm
Efficiency:	IE3 85,9%
Motor efficiency at full load:	85.9 %
Motor efficiency at 3/4 load:	86.8 %
Motor efficiency at 1/2 load:	86.0 %
Number of poles:	2
Enclosure class (IEC 34-5):	55 Dust/Jetting
Insulation class (IEC 85):	F
Motor protec:	NONE
Motor No:	85U05908
<b>Controls:</b>	
Frequency converter:	NONE
<b>Others:</b>	
Minimum efficiency index, MEI $\hat{a}\%$ ¥:	0.57
Net weight:	40.2 kg
Gross weight:	43.1 kg
Shipping volume:	0.13 m <sup>3</sup>
Danish VVS No.:	385912016
Norwegian NRF no.:	9040481
Country of origin:	HU
Custom tariff no.:	84137075

## 96517252 CRN 5-16 A-P-A-E-HQQE 50 Hz

