


Qty.	Description
1	<p data-bbox="199 338 497 369"><b>CRN 5-15 A-P-A-E-HQQE</b></p>  <p data-bbox="199 660 466 689">Product No.: <a href="#">96517251</a></p> <p data-bbox="199 719 1455 824">Vertical, multistage centrifugal pump with inlet and outlet ports on same the level (inline). Pump materials in contact with the liquid are in high-grade stainless steel. A cartridge shaft seal ensures high reliability, safe handling, and easy access and service. Power transmission is via a rigid split coupling. Pipe connection is via PJE (Victaulic®) couplings.</p> <p data-bbox="199 862 938 891">The pump is fitted with a 3-phase, fan-cooled asynchronous motor.</p> <p data-bbox="199 922 316 952"><b>Controls:</b></p> <p data-bbox="199 952 638 981">Frequency converter: NONE</p> <p data-bbox="199 1012 290 1041"><b>Liquid:</b></p> <p data-bbox="199 1041 710 1160">Pumped liquid: Water Liquid temperature range: -20 .. 120 °C Liquid temperature during operation: 20 °C Density: 998.2 kg/m<sup>3</sup></p> <p data-bbox="199 1191 327 1220"><b>Technical:</b></p> <p data-bbox="199 1220 821 1460">Pump speed on which pump data are based: 2899 rpm Rated flow: 5.8 m<sup>3</sup>/h Rated head: 75.9 m Pump orientation: Vertical Shaft seal arrangement: Single Code for shaft seal: HQQE Approvals on nameplate: CE, EAC, ACS Curve tolerance: ISO9906:2012 3B</p> <p data-bbox="199 1491 322 1520"><b>Materials:</b></p> <p data-bbox="199 1520 730 1729">Base: Stainless steel EN 1.4408 AISI 316 Impeller: Stainless steel EN 1.4401 AISI 316 Bearing: SIC</p> <p data-bbox="199 1760 343 1789"><b>Installation:</b></p> <p data-bbox="199 1789 742 2107">Maximum ambient temperature: 60 °C Maximum operating pressure: 25 bar Max pressure at stated temp: 25 bar / 120 °C 25 bar / -20 °C Type of connection: PJE Size of inlet connection: DN 32 1 1/4 inch Size of outlet connection: DN 32 1 1/4 inch Pressure rating for pipe connection: PN 50 Flange size for motor: FT115</p>

Qty.	Description
------	-------------

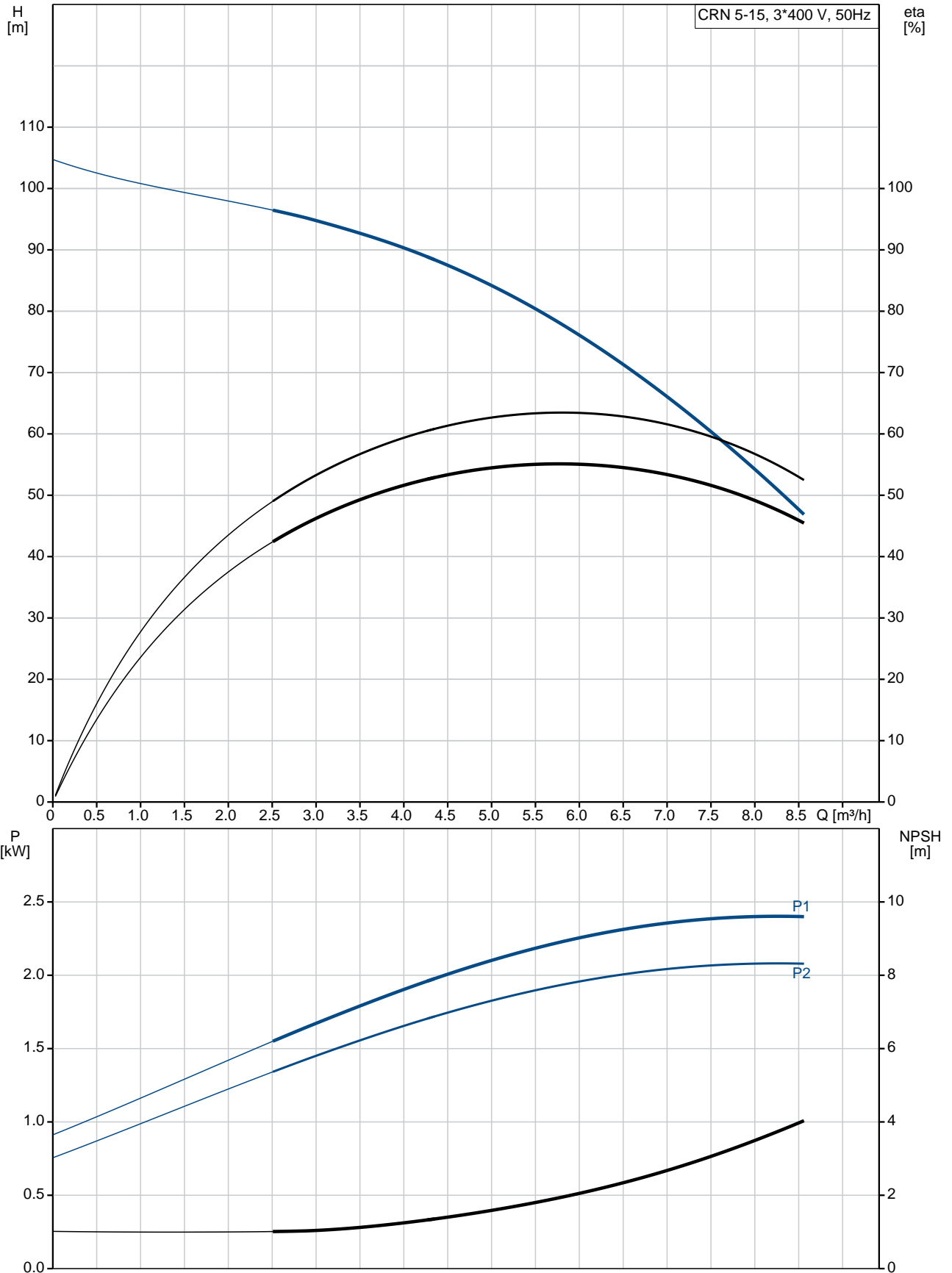
**Electrical data:**

Motor standard:	IEC
Motor type:	90LC
IE Efficiency class:	IE3
Rated power - P2:	2.2 kW
Power (P2) required by pump:	2.2 kW
Mains frequency:	50 Hz
Rated voltage:	3 x 220-240D/380-415Y V
Rated current:	7.70/4.45 A
Starting current:	850-950 %
Cos phi - power factor:	0.89-0.87
Rated speed:	2890-2910 rpm
Efficiency:	IE3 85,9%
Motor efficiency at full load:	85.9 %
Motor efficiency at 3/4 load:	86.8 %
Motor efficiency at 1/2 load:	86.0 %
Number of poles:	2
Enclosure class (IEC 34-5):	55 Dust/Jetting
Insulation class (IEC 85):	F

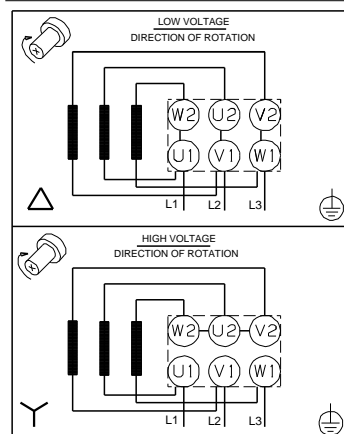
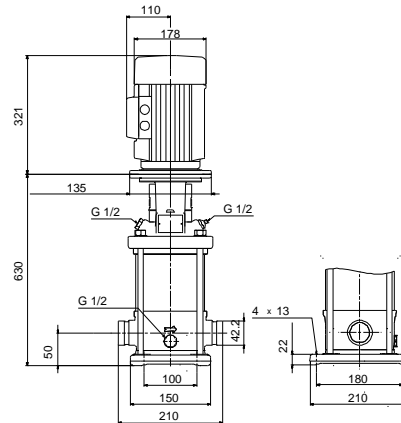
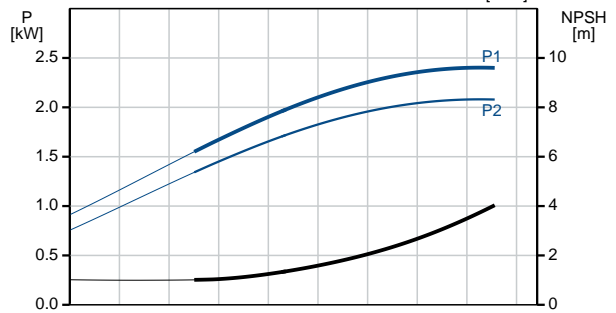
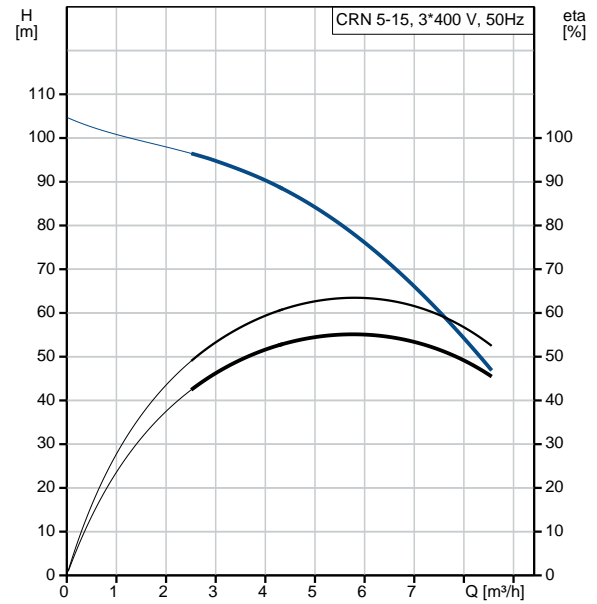
**Others:**

Minimum efficiency index, MEI $\hat{\alpha}\%$ :	0.57
Net weight:	39.7 kg
Gross weight:	42.6 kg
Shipping volume:	0.13 m <sup>3</sup>
Danish VVS No.:	385912015
Country of origin:	GB
Custom tariff no.:	84137075

## 96517251 CRN 5-15 A-P-A-E-HQQE 50 Hz



Description	Value
<b>General information:</b>	
Product name:	CRN 5-15 A-P-A-E-HQQE
Product No:	96517251
EAN number:	5700396759203
Price:	1.559,00 GBP
<b>Technical:</b>	
Pump speed on which pump data are based:	2899 rpm
Rated flow:	5.8 m³/h
Rated head:	75.9 m
Head max:	101.8 m
Stages:	15
Impellers:	15
Number of reduced-diameter impellers:	0
Low NPSH:	N
Pump orientation:	Vertical
Shaft seal arrangement:	Single
Code for shaft seal:	HQQE
Approvals on nameplate:	CE, EAC, ACS
Curve tolerance:	ISO9906:2012 3B
Pump version:	A
Model:	A
<b>Materials:</b>	
Base:	Stainless steel EN 1.4408 AISI 316
Impeller:	Stainless steel EN 1.4401 AISI 316
Material code:	A
Code for rubber:	E
Bearing:	SIC
<b>Installation:</b>	
Maximum ambient temperature:	60 °C
Maximum operating pressure:	25 bar
Max pressure at stated temp:	25 bar / 120 °C 25 bar / -20 °C
Type of connection:	PJE
Size of inlet connection:	DN 32 1 1/4 inch
Size of outlet connection:	DN 32 1 1/4 inch
Pressure rating for pipe connection:	PN 50
Flange size for motor:	FT115
Connect code:	P
<b>Liquid:</b>	
Pumped liquid:	Water
Liquid temperature range:	-20 .. 120 °C
Liquid temperature during operation:	20 °C
Density:	998.2 kg/m³
<b>Electrical data:</b>	
Motor standard:	IEC
Motor type:	90LC
IE Efficiency class:	IE3
Rated power - P2:	2.2 kW
Power (P2) required by pump:	2.2 kW
Mains frequency:	50 Hz





Company name:

Created by:

Phone:

Date:

07/03/2019

Description	Value
Rated voltage:	3 x 220-240D/380-415Y V
Rated current:	7.70/4.45 A
Starting current:	850-950 %
Cos phi - power factor:	0.89-0.87
Rated speed:	2890-2910 rpm
Efficiency:	IE3 85,9%
Motor efficiency at full load:	85.9 %
Motor efficiency at 3/4 load:	86.8 %
Motor efficiency at 1/2 load:	86.0 %
Number of poles:	2
Enclosure class (IEC 34-5):	55 Dust/Jetting
Insulation class (IEC 85):	F
Motor protec:	NONE
Motor No:	85U05908
<b>Controls:</b>	
Frequency converter:	NONE
<b>Others:</b>	
Minimum efficiency index, MEI $\hat{a}\%$ ¥:	0.57
Net weight:	39.7 kg
Gross weight:	42.6 kg
Shipping volume:	0.13 m <sup>3</sup>
Danish VVS No.:	385912015
Country of origin:	GB
Custom tariff no.:	84137075

## 96517251 CRN 5-15 A-P-A-E-HQQE 50 Hz

