


Qty.	Description
1	<p data-bbox="199 338 483 367">CRN 5-2 A-P-A-E-HQQE</p>  <p data-bbox="199 660 469 689">Product No.: 96517239</p> <p data-bbox="199 719 1453 824">Vertical, multistage centrifugal pump with inlet and outlet ports on same the level (inline). Pump materials in contact with the liquid are in high-grade stainless steel. A cartridge shaft seal ensures high reliability, safe handling, and easy access and service. Power transmission is via a rigid split coupling. Pipe connection is via PJE (Victaulic®) couplings.</p> <p data-bbox="199 862 935 891">The pump is fitted with a 3-phase, fan-cooled asynchronous motor.</p> <p data-bbox="199 920 316 949">Controls:</p> <p data-bbox="199 952 638 981">Frequency converter: NONE</p> <p data-bbox="199 1010 288 1039">Liquid:</p> <p data-bbox="199 1041 707 1160">Pumped liquid: Water Liquid temperature range: -20 .. 120 °C Liquid temperature during operation: 20 °C Density: 998.2 kg/m³</p> <p data-bbox="199 1189 328 1218">Technical:</p> <p data-bbox="199 1220 820 1458">Pump speed on which pump data are based: 2873 rpm Rated flow: 5.8 m³/h Rated head: 9 m Pump orientation: Vertical Shaft seal arrangement: Single Code for shaft seal: HQQE Approvals on nameplate: CE, EAC, ACS Curve tolerance: ISO9906:2012 3B</p> <p data-bbox="199 1487 320 1516">Materials:</p> <p data-bbox="199 1518 727 1722">Base: Stainless steel EN 1.4408 AISI 316 Impeller: Stainless steel EN 1.4401 AISI 316 Bearing: SIC</p> <p data-bbox="199 1751 344 1780">Installation:</p> <p data-bbox="199 1783 742 2107">Maximum ambient temperature: 40 °C Maximum operating pressure: 25 bar Max pressure at stated temp: 25 bar / 120 °C 25 bar / -20 °C Type of connection: PJE Size of inlet connection: DN 32 1 1/4 inch Size of outlet connection: DN 32 1 1/4 inch Pressure rating for pipe connection: PN 50 Flange size for motor: FT85</p>

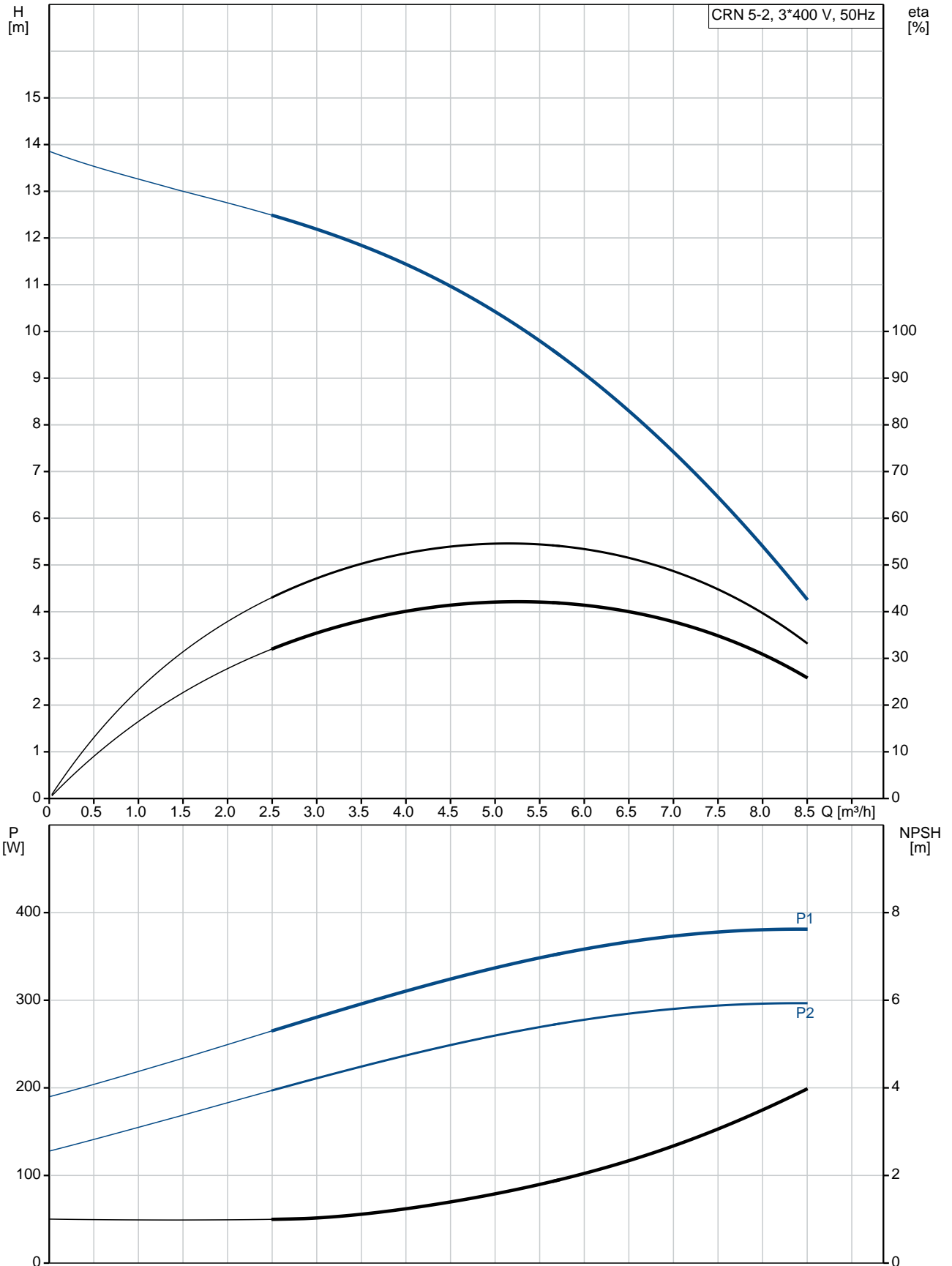
Qty. Description**Electrical data:**

Motor standard: IEC
Motor type: 71A
IE Efficiency class: IE3
Rated power - P2: 0.37 kW
Power (P2) required by pump: 0.37 kW
Mains frequency: 50 Hz
Rated voltage: 3 x 220-240D/380-415Y V
Rated current: 1.74/1.00 A
Starting current: 490-530 %
Cos phi - power factor: 0.80-0.70
Rated speed: 2850-2880 rpm
Efficiency: IE3 73,8%
Motor efficiency at full load: 73.8 %
Motor efficiency at 3/4 load: 79.0 %
Motor efficiency at 1/2 load: 75.5 %
Number of poles: 2
Enclosure class (IEC 34-5): 55 Dust/Jetting
Insulation class (IEC 85): F

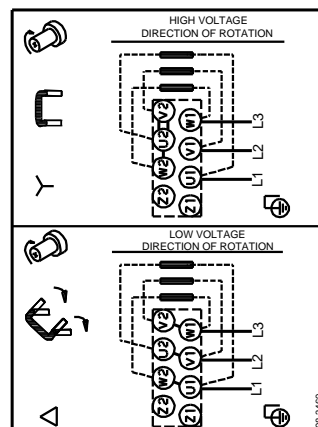
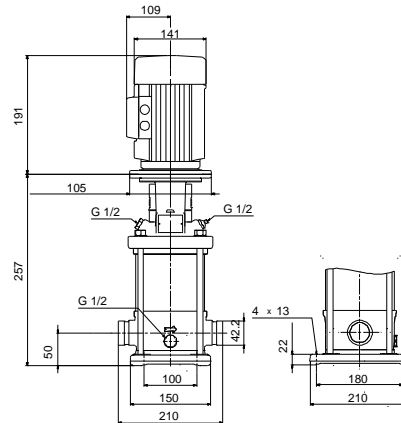
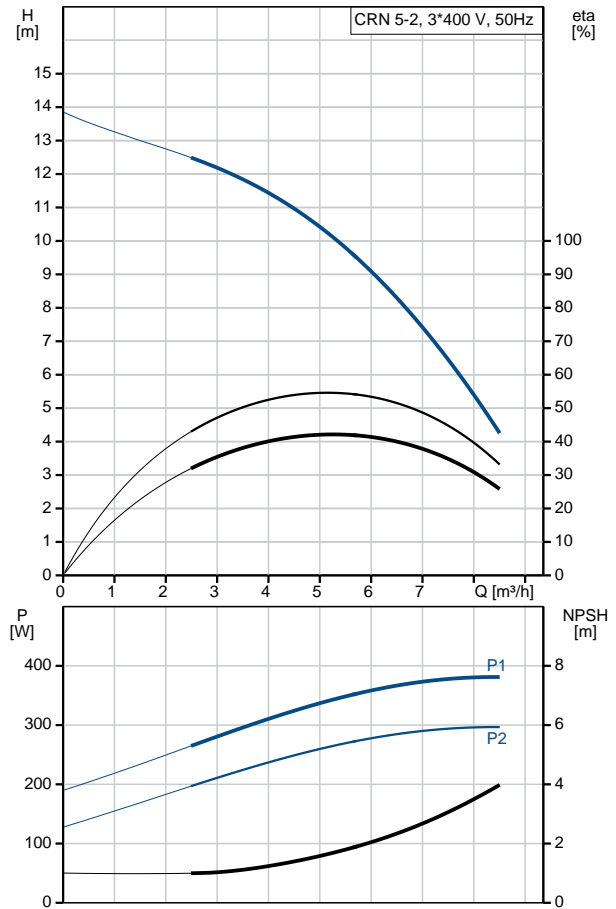
Others:

Minimum efficiency index, MEI $\hat{\alpha}\%$: 0.57
Net weight: 16.5 kg
Gross weight: 19.2 kg
Shipping volume: 0.054 m³
Danish VVS No.: 385912002
Norwegian NRF no.: 9040472
Country of origin: HU
Custom tariff no.: 84137075

96517239 CRN 5-2 A-P-A-E-HQQE 50 Hz



Description	Value
General information:	
Product name:	CRN 5-2 A-P-A-E-HQQE
Product No:	96517239
EAN number:	5700396758961
Price:	797,00 GBP
Technical:	
Pump speed on which pump data are based:	2873 rpm
Rated flow:	5.8 m ³ /h
Rated head:	9 m
Head max:	14.3 m
Stages:	2
Impellers:	2
Number of reduced-diameter impellers:	0
Low NPSH:	N
Pump orientation:	Vertical
Shaft seal arrangement:	Single
Code for shaft seal:	HQQE
Approvals on nameplate:	CE, EAC, ACS
Curve tolerance:	ISO9906:2012 3B
Pump version:	A
Model:	A
Materials:	
Base:	Stainless steel EN 1.4408 AISI 316
Impeller:	Stainless steel EN 1.4401 AISI 316
Material code:	A
Code for rubber:	E
Bearing:	SIC
Installation:	
Maximum ambient temperature:	40 °C
Maximum operating pressure:	25 bar
Max pressure at stated temp:	25 bar / 120 °C 25 bar / -20 °C
Type of connection:	PJE
Size of inlet connection:	DN 32 1 1/4 inch
Size of outlet connection:	DN 32 1 1/4 inch
Pressure rating for pipe connection:	PN 50
Flange size for motor:	FT85
Connect code:	P
Liquid:	
Pumped liquid:	Water
Liquid temperature range:	-20 .. 120 °C
Liquid temperature during operation:	20 °C
Density:	998.2 kg/m ³
Electrical data:	
Motor standard:	IEC
Motor type:	71A
IE Efficiency class:	IE3
Rated power - P2:	0.37 kW
Power (P2) required by pump:	0.37 kW
Mains frequency:	50 Hz



Description	Value
Rated voltage:	3 x 220-240D/380-415Y V
Rated current:	1.74/1.00 A
Starting current:	490-530 %
Cos phi - power factor:	0.80-0.70
Rated speed:	2850-2880 rpm
Efficiency:	IE3 73,8%
Motor efficiency at full load:	73.8 %
Motor efficiency at 3/4 load:	79.0 %
Motor efficiency at 1/2 load:	75.5 %
Number of poles:	2
Enclosure class (IEC 34-5):	55 Dust/Jetting
Insulation class (IEC 85):	F
Motor protec:	NONE
Motor No:	85805102
Controls:	
Frequency converter:	NONE
Others:	
Minimum efficiency index, MEI $\hat{a}\%$ ¥:	0.57
Net weight:	16.5 kg
Gross weight:	19.2 kg
Shipping volume:	0.054 m ³
Danish VVS No.:	385912002
Norwegian NRF no.:	9040472
Country of origin:	HU
Custom tariff no.:	84137075

96517239 CRN 5-2 A-P-A-E-HQQE 50 Hz

