


Qty.	Description
1	<p data-bbox="199 336 502 369">CRN 5-22 A-P-A-E-HQQE</p>  <p data-bbox="199 660 470 683">Product No.: 96513490</p> <p data-bbox="199 716 1460 817">Vertical, multistage centrifugal pump with inlet and outlet ports on same the level (inline). Pump materials in contact with the liquid are in high-grade stainless steel. A cartridge shaft seal ensures high reliability, safe handling, and easy access and service. Power transmission is via a rigid split coupling. Pipe connection is via PJE (Victaulic®) couplings.</p> <p data-bbox="199 862 933 884">The pump is fitted with a 3-phase, fan-cooled asynchronous motor.</p> <p data-bbox="199 918 319 940">Controls:</p> <p data-bbox="199 952 638 974">Frequency converter: NONE</p> <p data-bbox="199 1008 287 1030">Liquid:</p> <p data-bbox="199 1041 638 1064">Pumped liquid: Water</p> <p data-bbox="199 1064 710 1086">Liquid temperature range: -20 .. 120 °C</p> <p data-bbox="199 1086 686 1108">Liquid temperature during operation: 20 °C</p> <p data-bbox="199 1108 702 1131">Density: 998.2 kg/m³</p> <p data-bbox="199 1187 327 1209">Technical:</p> <p data-bbox="199 1220 821 1243">Pump speed on which pump data are based: 2917 rpm</p> <p data-bbox="199 1243 662 1265">Rated flow: 5.8 m³/h</p> <p data-bbox="199 1265 662 1288">Rated head: 115.3 m</p> <p data-bbox="199 1288 654 1310">Pump orientation: Vertical</p> <p data-bbox="199 1310 638 1332">Shaft seal arrangement: Single</p> <p data-bbox="199 1332 638 1355">Code for shaft seal: HQQE</p> <p data-bbox="199 1355 726 1377">Approvals on nameplate: CE, EAC, ACS</p> <p data-bbox="199 1377 766 1400">Curve tolerance: ISO9906:2012 3B</p> <p data-bbox="199 1478 327 1500">Materials:</p> <p data-bbox="199 1512 726 1534">Base: Stainless steel</p> <p data-bbox="566 1534 686 1556">EN 1.4408</p> <p data-bbox="566 1556 662 1579">AISI 316</p> <p data-bbox="199 1601 726 1624">Impeller: Stainless steel</p> <p data-bbox="566 1624 686 1646">EN 1.4401</p> <p data-bbox="566 1646 662 1668">AISI 316</p> <p data-bbox="199 1691 614 1713">Bearing: SIC</p> <p data-bbox="199 1747 343 1769">Installation:</p> <p data-bbox="199 1780 630 1803">Maximum ambient temperature: 60 °C</p> <p data-bbox="199 1803 638 1825">Maximum operating pressure: 25 bar</p> <p data-bbox="199 1825 742 1848">Max pressure at stated temp: 25 bar / 120 °C</p> <p data-bbox="566 1848 734 1870">25 bar / -20 °C</p> <p data-bbox="199 1892 614 1915">Type of connection: PJE</p> <p data-bbox="199 1915 638 1937">Size of inlet connection: DN 32</p> <p data-bbox="566 1937 678 1960">1 1/4 inch</p> <p data-bbox="199 1982 638 2004">Size of outlet connection: DN 32</p> <p data-bbox="566 2004 678 2027">1 1/4 inch</p> <p data-bbox="199 2049 686 2072">Pressure rating for pipe connection: PN 50</p> <p data-bbox="199 2072 638 2094">Flange size for motor: FT130</p>

Qty.	Description
------	-------------

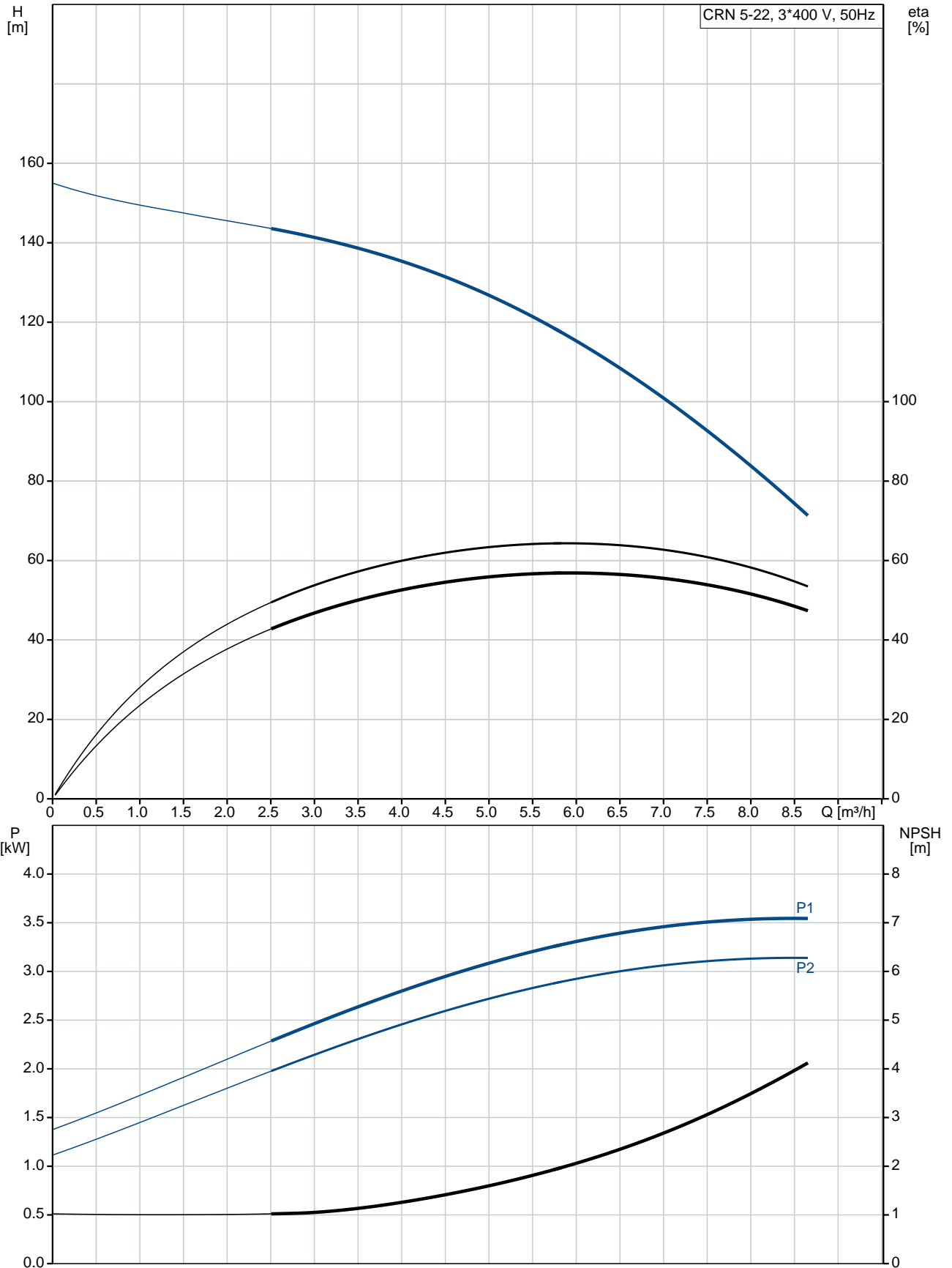
Electrical data:

Motor standard:	IEC
Motor type:	112MC
IE Efficiency class:	IE3
Rated power - P2:	4 kW
Power (P2) required by pump:	4 kW
Mains frequency:	50 Hz
Rated voltage:	3 x 380-415D V
Rated current:	7.9 A
Starting current:	1000-1110 %
Cos phi - power factor:	0.87-0.87
Rated speed:	2920-2940 rpm
Efficiency:	IE3 88,1%
Motor efficiency at full load:	88.1 %
Motor efficiency at 3/4 load:	88.6 %
Motor efficiency at 1/2 load:	85.2 %
Number of poles:	2
Enclosure class (IEC 34-5):	55 Dust/Jetting
Insulation class (IEC 85):	F

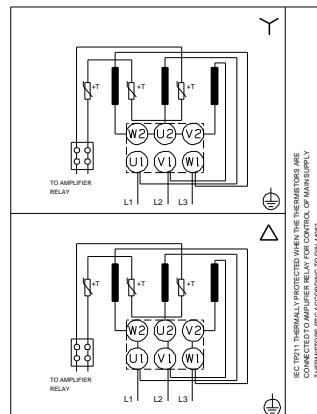
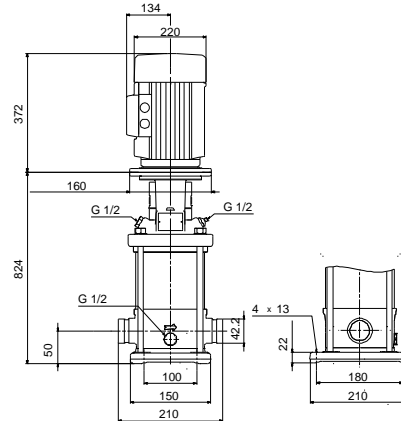
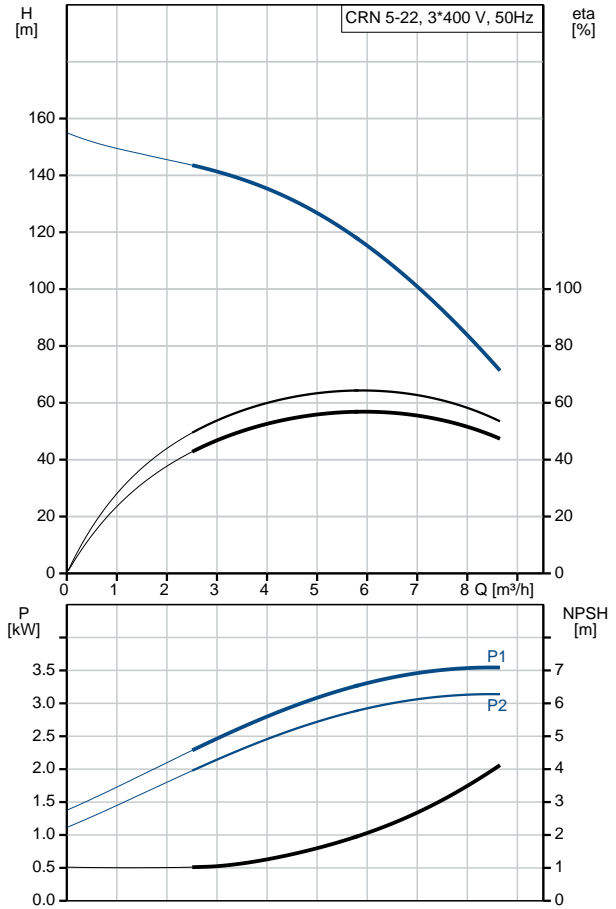
Others:

Minimum efficiency index, MEI $\hat{\alpha}\%$:	0.57
Net weight:	59.8 kg
Gross weight:	64.5 kg
Shipping volume:	0.148 m ³
Danish VVS No.:	385912022
Country of origin:	GB
Custom tariff no.:	84137075

96513490 CRN 5-22 A-P-A-E-HQQE 50 Hz



Description	Value
General information:	
Product name:	CRN 5-22 A-P-A-E-HQQE
Product No:	96513490
EAN number:	5700396645421
Price:	1.920,00 GBP
Technical:	
Pump speed on which pump data are based:	2917 rpm
Rated flow:	5.8 m³/h
Rated head:	115.3 m
Head max:	150.4 m
Stages:	22
Impellers:	22
Number of reduced-diameter impellers:	0
Low NPSH:	N
Pump orientation:	Vertical
Shaft seal arrangement:	Single
Code for shaft seal:	HQQE
Approvals on nameplate:	CE, EAC, ACS
Curve tolerance:	ISO9906:2012 3B
Pump version:	A
Model:	A
Materials:	
Base:	Stainless steel EN 1.4408 AISI 316
Impeller:	Stainless steel EN 1.4401 AISI 316
Material code:	A
Code for rubber:	E
Bearing:	SIC
Installation:	
Maximum ambient temperature:	60 °C
Maximum operating pressure:	25 bar
Max pressure at stated temp:	25 bar / 120 °C 25 bar / -20 °C
Type of connection:	PJE
Size of inlet connection:	DN 32 1 1/4 inch
Size of outlet connection:	DN 32 1 1/4 inch
Pressure rating for pipe connection:	PN 50
Flange size for motor:	FT130
Connect code:	P
Liquid:	
Pumped liquid:	Water
Liquid temperature range:	-20 .. 120 °C
Liquid temperature during operation:	20 °C
Density:	998.2 kg/m³
Electrical data:	
Motor standard:	IEC
Motor type:	112MC
IE Efficiency class:	IE3
Rated power - P2:	4 kW
Power (P2) required by pump:	4 kW
Mains frequency:	50 Hz
Rated voltage:	3 x 380-415D V





Company name:

Created by:

Phone:

Date:

07/03/2019

Description	Value
Rated current:	7.9 A
Starting current:	1000-1110 %
Cos phi - power factor:	0.87-0.87
Rated speed:	2920-2940 rpm
Efficiency:	IE3 88,1%
Motor efficiency at full load:	88.1 %
Motor efficiency at 3/4 load:	88.6 %
Motor efficiency at 1/2 load:	85.2 %
Number of poles:	2
Enclosure class (IEC 34-5):	55 Dust/Jetting
Insulation class (IEC 85):	F
Motor protec:	PTC
Motor No:	85U15413
Controls:	
Frequency converter:	NONE
Others:	
Minimum efficiency index, MEI η_{min} :	0.57
Net weight:	59.8 kg
Gross weight:	64.5 kg
Shipping volume:	0.148 m ³
Danish VVS No.:	385912022
Country of origin:	GB
Custom tariff no.:	84137075

96513490 CRN 5-22 A-P-A-E-HQQE 50 Hz

