


Qty.	Description
1	<p data-bbox="199 338 510 367"><b>CRN 15-17 A-P-A-E-HQQE</b></p>  <p data-bbox="199 660 470 689">Product No.: <a href="#">96501958</a></p> <p data-bbox="199 719 1455 824">Vertical, multistage centrifugal pump with inlet and outlet ports on same the level (inline). Pump materials in contact with the liquid are in high-grade stainless steel. A cartridge shaft seal ensures high reliability, safe handling, and easy access and service. Power transmission is via a rigid split coupling. Pipe connection is via PJE (Victaulic®) couplings.</p> <p data-bbox="199 862 933 891">The pump is fitted with a 3-phase, fan-cooled asynchronous motor.</p> <p data-bbox="199 922 311 952"><b>Controls:</b></p> <p data-bbox="199 954 638 983">Frequency converter: NONE</p> <p data-bbox="199 1012 287 1041"><b>Liquid:</b></p> <p data-bbox="199 1043 638 1072">Pumped liquid: Water</p> <p data-bbox="199 1075 710 1104">Liquid temperature range: -20 .. 120 °C</p> <p data-bbox="199 1106 686 1135">Liquid temperature during operation: 20 °C</p> <p data-bbox="199 1137 702 1167">Density: 998.2 kg/m<sup>3</sup></p> <p data-bbox="199 1196 327 1225"><b>Technical:</b></p> <p data-bbox="199 1227 821 1256">Pump speed on which pump data are based: 2923 rpm</p> <p data-bbox="199 1258 654 1288">Rated flow: 17 m<sup>3</sup>/h</p> <p data-bbox="199 1290 662 1319">Rated head: 191.9 m</p> <p data-bbox="199 1321 654 1350">Pump orientation: Vertical</p> <p data-bbox="199 1352 638 1382">Shaft seal arrangement: Single</p> <p data-bbox="199 1384 638 1413">Code for shaft seal: HQQE</p> <p data-bbox="199 1415 726 1444">Approvals on nameplate: CE, EAC, ACS</p> <p data-bbox="199 1447 766 1476">Curve tolerance: ISO9906:2012 3B</p> <p data-bbox="199 1505 319 1534"><b>Materials:</b></p> <p data-bbox="199 1536 726 1601">Base: Stainless steel EN 1.4408 AISI 316</p> <p data-bbox="199 1603 726 1691">Impeller: Stainless steel EN 1.4401 AISI 316</p> <p data-bbox="199 1693 606 1722">Bearing: SIC</p> <p data-bbox="199 1751 343 1780"><b>Installation:</b></p> <p data-bbox="199 1783 630 1812">Maximum ambient temperature: 60 °C</p> <p data-bbox="199 1814 638 1843">Maximum operating pressure: 25 bar</p> <p data-bbox="199 1845 742 1910">Max pressure at stated temp: 25 bar / 120 °C 25 bar / -20 °C</p> <p data-bbox="199 1912 614 1942">Type of connection: PJE</p> <p data-bbox="199 1944 638 1973">Size of inlet connection: DN 50 2 inch</p> <p data-bbox="199 1975 638 2040">Size of outlet connection: DN 50 2 inch</p> <p data-bbox="199 2042 686 2072">Pressure rating for pipe connection: PN 50</p> <p data-bbox="199 2074 638 2103">Flange size for motor: FF300</p>

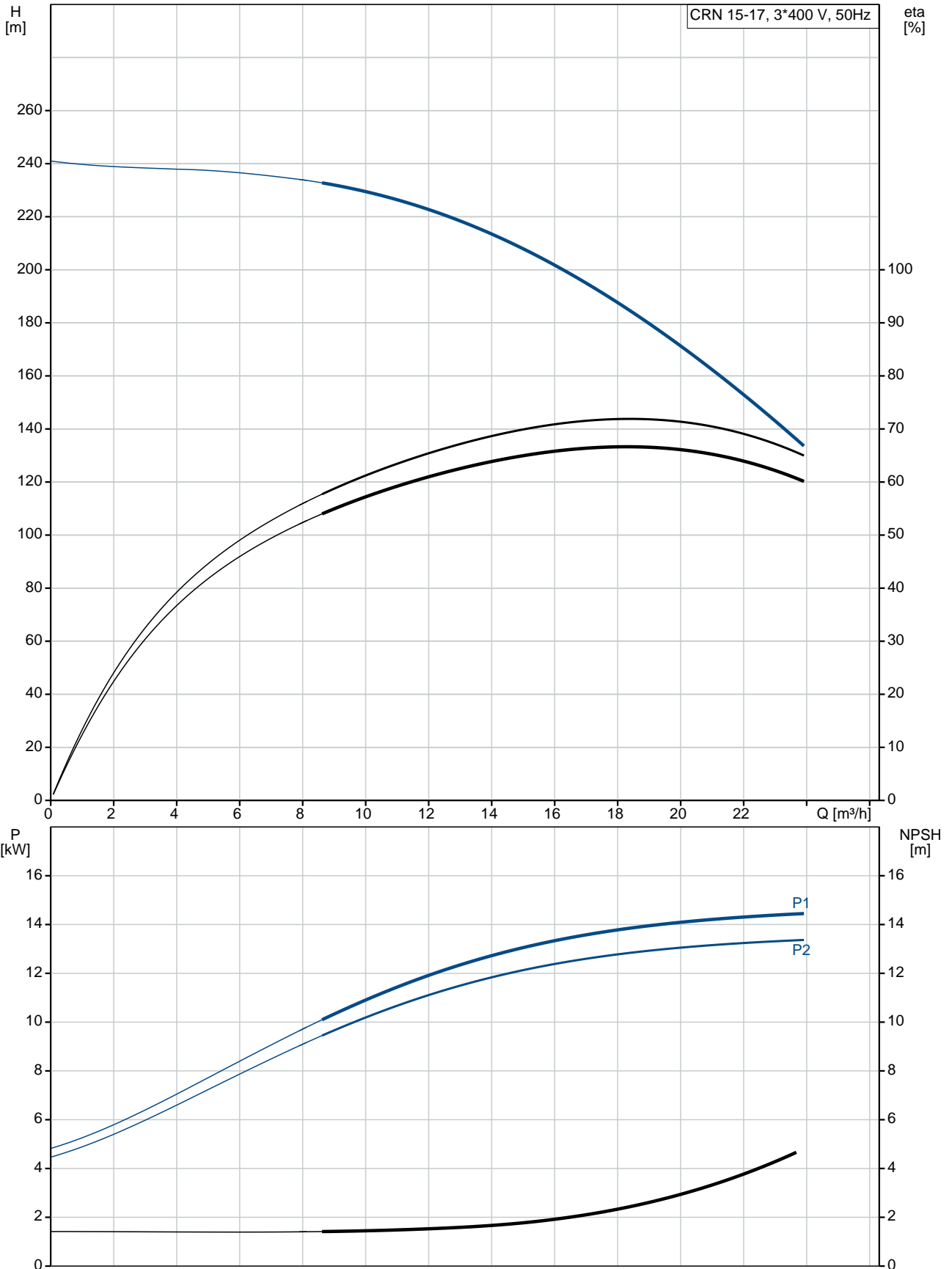
**Qty. Description****Electrical data:**

Motor standard: IEC  
Motor type: 160MD  
IE Efficiency class: IE3  
Rated power - P2: 15 kW  
Power (P2) required by pump: 15 kW  
Mains frequency: 50 Hz  
Rated voltage: 3 x 380-415D/660-690Y V  
Rated current: 28,0-26,0/16,2-15,6 A  
Starting current: 660-780 %  
Cos phi - power factor: 0.89-0.87  
Rated speed: 2930-2950 rpm  
Efficiency: IE3 91,9%  
Motor efficiency at full load: 91.9-91.9 %  
Motor efficiency at 3/4 load: 92.4 %  
Motor efficiency at 1/2 load: 92.4 %  
Number of poles: 2  
Enclosure class (IEC 34-5): 55 Dust/Jetting  
Insulation class (IEC 85): F

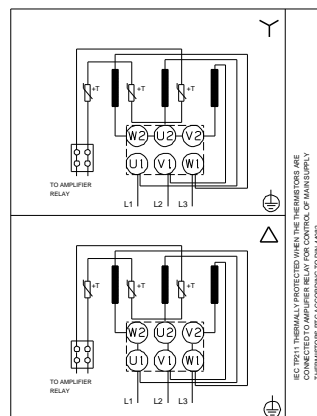
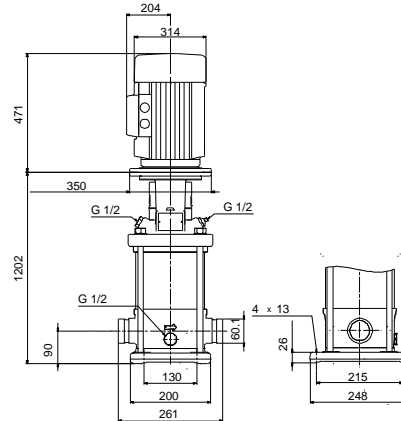
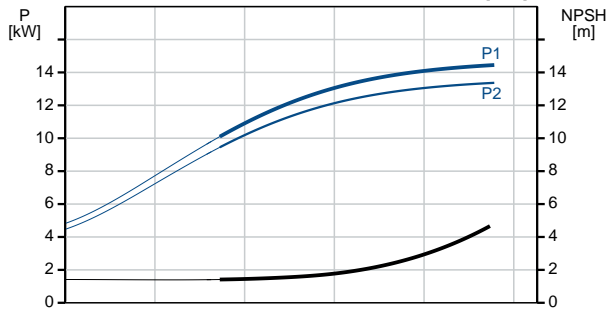
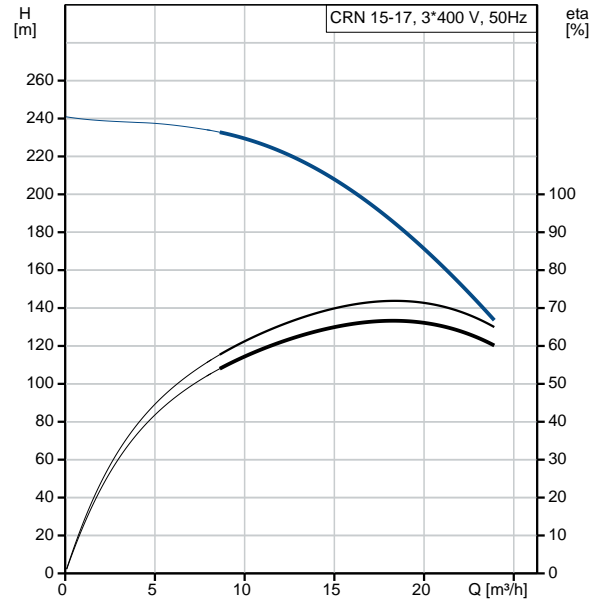
**Others:**

Minimum efficiency index, MEI  $\hat{\alpha}\%$ : 0.70  
Net weight: 165 kg  
Gross weight: 197 kg  
Shipping volume: 0.619 m<sup>3</sup>  
Danish VVS No.: 385914170  
Country of origin: GB  
Custom tariff no.: 84137075

## 96501958 CRN 15-17 A-P-A-E-HQQE 50 Hz



Description	Value
<b>General information:</b>	
Product name:	CRN 15-17 A-P-A-E-HQQE
Product No:	96501958
EAN number:	5700396232621
Price:	5.849,00 GBP
<b>Technical:</b>	
Pump speed on which pump data are based:	2923 rpm
Rated flow:	17 m <sup>3</sup> /h
Rated head:	191.9 m
Head max:	239 m
Stages:	17
Impellers:	17
Number of reduced-diameter impellers:	0
Low NPSH:	N
Pump orientation:	Vertical
Shaft seal arrangement:	Single
Code for shaft seal:	HQQE
Approvals on nameplate:	CE, EAC, ACS
Curve tolerance:	ISO9906:2012 3B
Pump version:	A
Model:	A
<b>Materials:</b>	
Base:	Stainless steel EN 1.4408 AISI 316
Impeller:	Stainless steel EN 1.4401 AISI 316
Material code:	A
Code for rubber:	E
Bearing:	SIC
<b>Installation:</b>	
Maximum ambient temperature:	60 °C
Maximum operating pressure:	25 bar
Max pressure at stated temp:	25 bar / 120 °C 25 bar / -20 °C
Type of connection:	PJE
Size of inlet connection:	DN 50 2 inch
Size of outlet connection:	DN 50 2 inch
Pressure rating for pipe connection:	PN 50
Flange size for motor:	FF300
Connect code:	P
<b>Liquid:</b>	
Pumped liquid:	Water
Liquid temperature range:	-20 .. 120 °C
Liquid temperature during operation:	20 °C
Density:	998.2 kg/m <sup>3</sup>
<b>Electrical data:</b>	
Motor standard:	IEC
Motor type:	160MD
IE Efficiency class:	IE3
Rated power - P2:	15 kW
Power (P2) required by pump:	15 kW
Mains frequency:	50 Hz





Company name:

Created by:

Phone:

Date:

12/03/2019

Description	Value
Rated voltage:	3 x 380-415D/660-690Y V
Rated current:	28,0-26,0/16,2-15,6 A
Starting current:	660-780 %
Cos phi - power factor:	0.89-0.87
Rated speed:	2930-2950 rpm
Efficiency:	IE3 91,9%
Motor efficiency at full load:	91.9-91.9 %
Motor efficiency at 3/4 load:	92.4 %
Motor efficiency at 1/2 load:	92.4 %
Number of poles:	2
Enclosure class (IEC 34-5):	55 Dust/Jetting
Insulation class (IEC 85):	F
Motor protec:	PTC
Motor No:	85U17526
<b>Controls:</b>	
Frequency converter:	NONE
<b>Others:</b>	
Minimum efficiency index, MEI $\hat{a}\%$ ¥:	0.70
Net weight:	165 kg
Gross weight:	197 kg
Shipping volume:	0.619 m <sup>3</sup>
Danish VVS No.:	385914170
Country of origin:	GB
Custom tariff no.:	84137075

## 96501958 CRN 15-17 A-P-A-E-HQQE 50 Hz

