
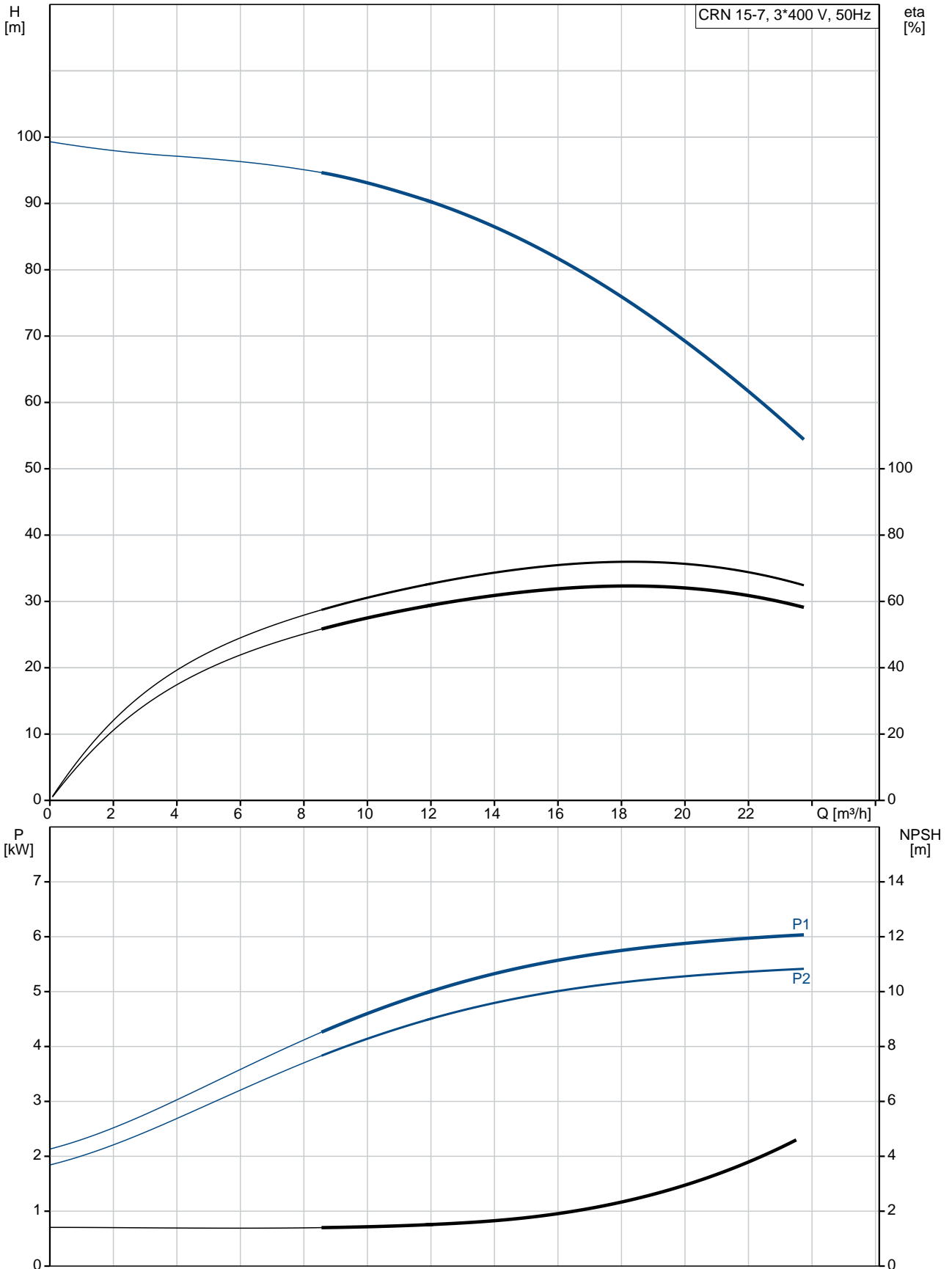


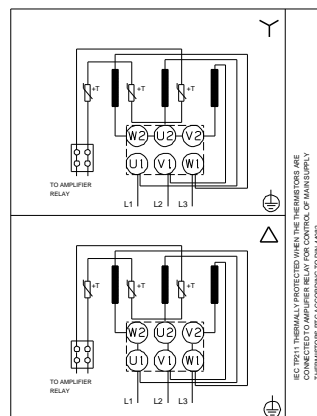
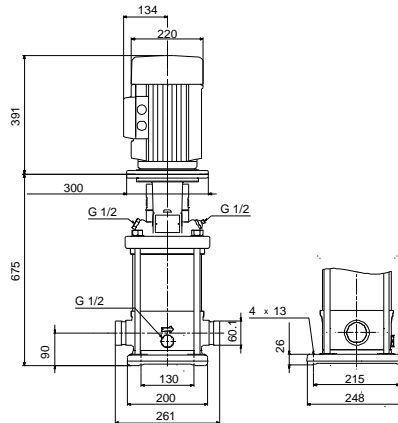
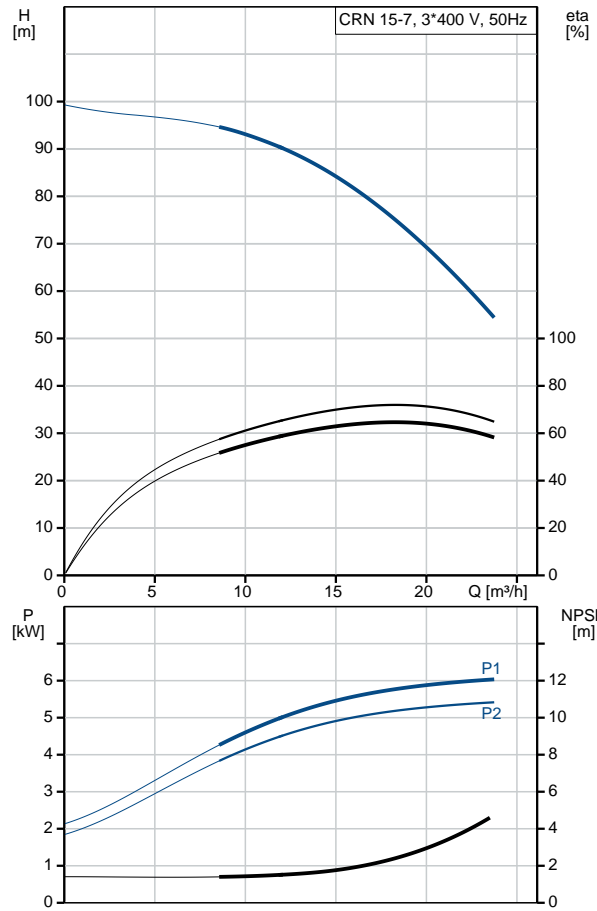
| Qty. | Description  |
|------|--|
| 1    | <p data-bbox="204 342 496 365"><b>CRN 15-7 A-P-A-E-HQQE</b></p>  <p data-bbox="204 663 469 685">Product No.: <a href="#">96501952</a></p> <p data-bbox="204 723 1453 824">Vertical, multistage centrifugal pump with inlet and outlet ports on same the level (inline). Pump materials in contact with the liquid are in high-grade stainless steel. A cartridge shaft seal ensures high reliability, safe handling, and easy access and service. Power transmission is via a rigid split coupling. Pipe connection is via PJE (Victaulic®) couplings.</p> <p data-bbox="204 864 935 887">The pump is fitted with a 3-phase, fan-cooled asynchronous motor.</p> <p data-bbox="204 925 312 947"><b>Controls:</b></p> <p data-bbox="204 954 638 976">Frequency converter: NONE</p> <p data-bbox="204 1014 288 1037"><b>Liquid:</b></p> <p data-bbox="204 1043 707 1160">Pumped liquid: Water<br/>Liquid temperature range: -20 .. 120 °C<br/>Liquid temperature during operation: 20 °C<br/>Density: 998.2 kg/m<sup>3</sup></p> <p data-bbox="204 1193 325 1216"><b>Technical:</b></p> <p data-bbox="204 1223 820 1458">Pump speed on which pump data are based: 2919 rpm<br/>Rated flow: 17 m<sup>3</sup>/h<br/>Rated head: 77.9 m<br/>Pump orientation: Vertical<br/>Shaft seal arrangement: Single<br/>Code for shaft seal: HQQE<br/>Approvals on nameplate: CE, EAC, ACS<br/>Curve tolerance: ISO9906:2012 3B</p> <p data-bbox="204 1491 320 1514"><b>Materials:</b></p> <p data-bbox="204 1520 727 1722">Base: Stainless steel<br/>EN 1.4408<br/>AISI 316<br/>Impeller: Stainless steel<br/>EN 1.4401<br/>AISI 316<br/>Bearing: SIC</p> <p data-bbox="204 1760 341 1783"><b>Installation:</b></p> <p data-bbox="204 1789 743 2098">Maximum ambient temperature: 60 °C<br/>Maximum operating pressure: 25 bar<br/>Max pressure at stated temp: 25 bar / 120 °C<br/>25 bar / -20 °C<br/>Type of connection: PJE<br/>Size of inlet connection: DN 50<br/>2 inch<br/>Size of outlet connection: DN 50<br/>2 inch<br/>Pressure rating for pipe connection: PN 50<br/>Flange size for motor: FF265</p> |

| Qty. | Description   |
|------|---|
|      | <p><b>Electrical data:</b></p> <p>Motor standard: IEC</p> <p>Motor type: 132SC</p> <p>IE Efficiency class: IE3</p> <p>Rated power - P2: 5.5 kW</p> <p>Power (P2) required by pump: 5.5 kW</p> <p>Mains frequency: 50 Hz</p> <p>Rated voltage: 3 x 380-415D V</p> <p>Rated current: 11 A</p> <p>Starting current: 1080-1180 %</p> <p>Cos phi - power factor: 0.87-0.82</p> <p>Rated speed: 2920-2940 rpm</p> <p>Efficiency: IE3 89,2%</p> <p>Motor efficiency at full load: 89.2 %</p> <p>Motor efficiency at 3/4 load: 90.0 %</p> <p>Motor efficiency at 1/2 load: 89.6 %</p> <p>Number of poles: 2</p> <p>Enclosure class (IEC 34-5): 55 Dust/Jetting</p> <p>Insulation class (IEC 85): F</p> <p><b>Others:</b></p> <p>Minimum efficiency index, MEI <math>\hat{\alpha}\%</math>: 0.70</p> <p>Net weight: 86 kg</p> <p>Gross weight: 108 kg</p> <p>Shipping volume: 0.285 m<sup>3</sup></p> <p>Danish VVS No.: 385914070</p> <p>Country of origin: GB</p> <p>Custom tariff no.: 84137075</p> |

## 96501952 CRN 15-7 A-P-A-E-HQQE 50 Hz



| Description                              | Value                                    |
|--|--|
| <b>General information:</b>              |  |
| Product name:                            | CRN 15-7<br>A-P-A-E-HQQE                 |
| Product No:                              | 96501952                                 |
| EAN number:                              | 5700396232508                            |
| Price:                                   | 2.908,00 GBP                             |
| <b>Technical:</b>                        |  |
| Pump speed on which pump data are based: | 2919 rpm                                 |
| Rated flow:                              | 17 m <sup>3</sup> /h                     |
| Rated head:                              | 77.9 m                                   |
| Head max:                                | 98.5 m                                   |
| Stages:                                  | 7  |
| Impellers:                               | 7  |
| Number of reduced-diameter impellers:    | 0  |
| Low NPSH:                                | N  |
| Pump orientation:                        | Vertical                                 |
| Shaft seal arrangement:                  | Single                                   |
| Code for shaft seal:                     | HQQE                                     |
| Approvals on nameplate:                  | CE, EAC, ACS                             |
| Curve tolerance:                         | ISO9906:2012 3B                          |
| Pump version:                            | A  |
| Model:                                   | A  |
| <b>Materials:</b>                        |  |
| Base:                                    | Stainless steel<br>EN 1.4408<br>AISI 316 |
| Impeller:                                | Stainless steel<br>EN 1.4401<br>AISI 316 |
| Material code:                           | A  |
| Code for rubber:                         | E  |
| Bearing:                                 | SIC                                      |
| <b>Installation:</b>                     |  |
| Maximum ambient temperature:             | 60 °C                                    |
| Maximum operating pressure:              | 25 bar                                   |
| Max pressure at stated temp:             | 25 bar / 120 °C<br>25 bar / -20 °C       |
| Type of connection:                      | PJE                                      |
| Size of inlet connection:                | DN 50<br>2 inch                          |
| Size of outlet connection:               | DN 50<br>2 inch                          |
| Pressure rating for pipe connection:     | PN 50                                    |
| Flange size for motor:                   | FF265                                    |
| Connect code:                            | P  |
| <b>Liquid:</b>                           |  |
| Pumped liquid:                           | Water                                    |
| Liquid temperature range:                | -20 .. 120 °C                            |
| Liquid temperature during operation:     | 20 °C                                    |
| Density:                                 | 998.2 kg/m <sup>3</sup>                  |
| <b>Electrical data:</b>                  |  |
| Motor standard:                          | IEC                                      |
| Motor type:                              | 132SC                                    |
| IE Efficiency class:                     | IE3                                      |
| Rated power - P2:                        | 5.5 kW                                   |
| Power (P2) required by pump:             | 5.5 kW                                   |
| Mains frequency:                         | 50 Hz                                    |
| Rated voltage:                           | 3 x 380-415D V                           |





Company name:

Created by:

Phone:

Date:

12/03/2019

| Description                                  | Value                |
|--|----------------------|
| Rated current:                               | 11 A                 |
| Starting current:                            | 1080-1180 %          |
| Cos phi - power factor:                      | 0.87-0.82            |
| Rated speed:                                 | 2920-2940 rpm        |
| Efficiency:                                  | IE3 89,2%            |
| Motor efficiency at full load:               | 89.2 %               |
| Motor efficiency at 3/4 load:                | 90.0 %               |
| Motor efficiency at 1/2 load:                | 89.6 %               |
| Number of poles:                             | 2                    |
| Enclosure class (IEC 34-5):                  | 55 Dust/Jetting      |
| Insulation class (IEC 85):                   | F                    |
| Motor protec:                                | PTC                  |
| Motor No:                                    | 85U17417             |
| <b>Controls:</b>                             |                      |
| Frequency converter:                         | NONE                 |
| <b>Others:</b>                               |                      |
| Minimum efficiency index, MEI $\eta_{min}$ : | 0.70                 |
| Net weight:                                  | 86 kg                |
| Gross weight:                                | 108 kg               |
| Shipping volume:                             | 0.285 m <sup>3</sup> |
| Danish VVS No.:                              | 385914070            |
| Country of origin:                           | GB                   |
| Custom tariff no.:                           | 84137075             |

## 96501952 CRN 15-7 A-P-A-E-HQQE 50 Hz

