
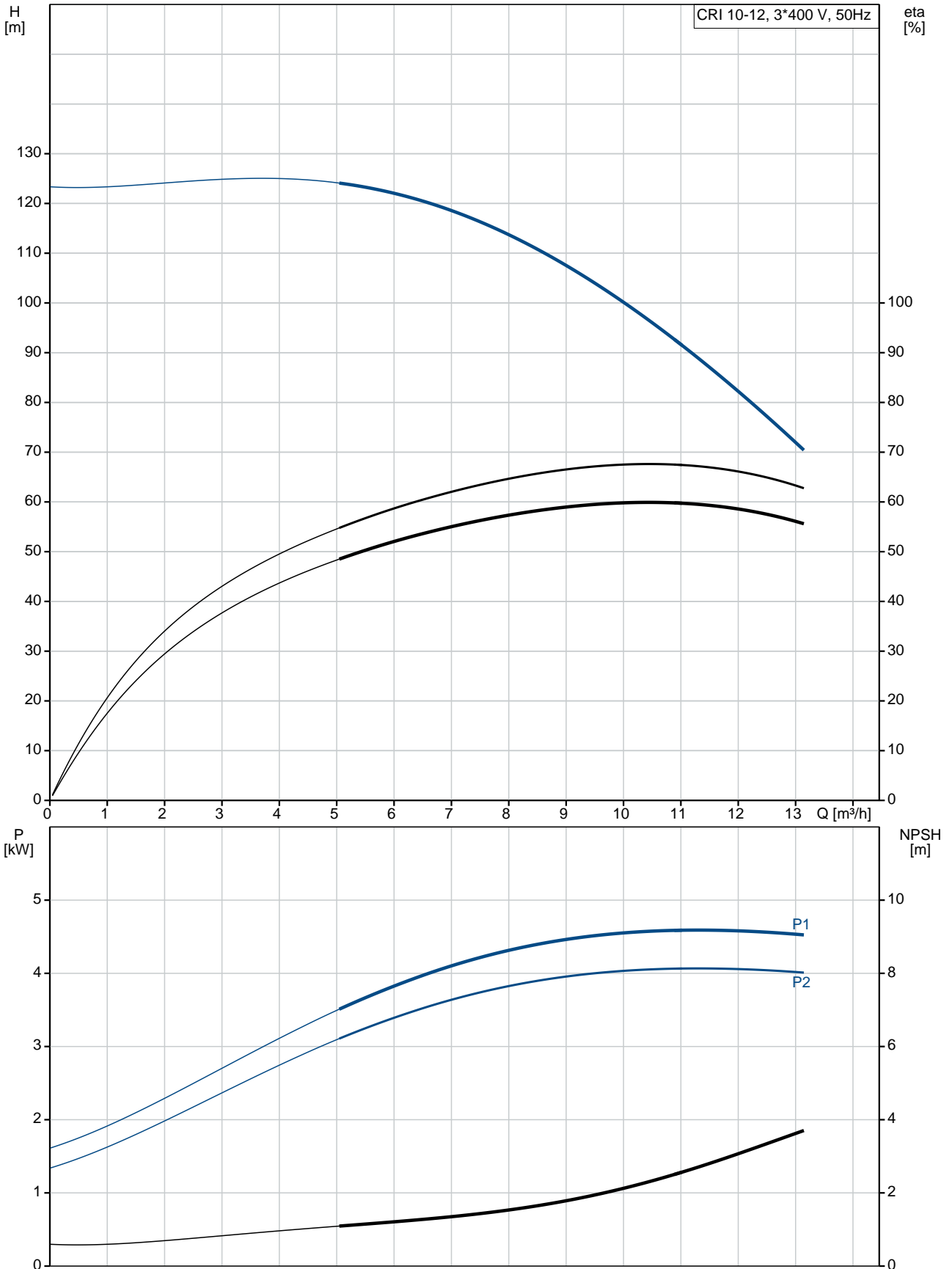


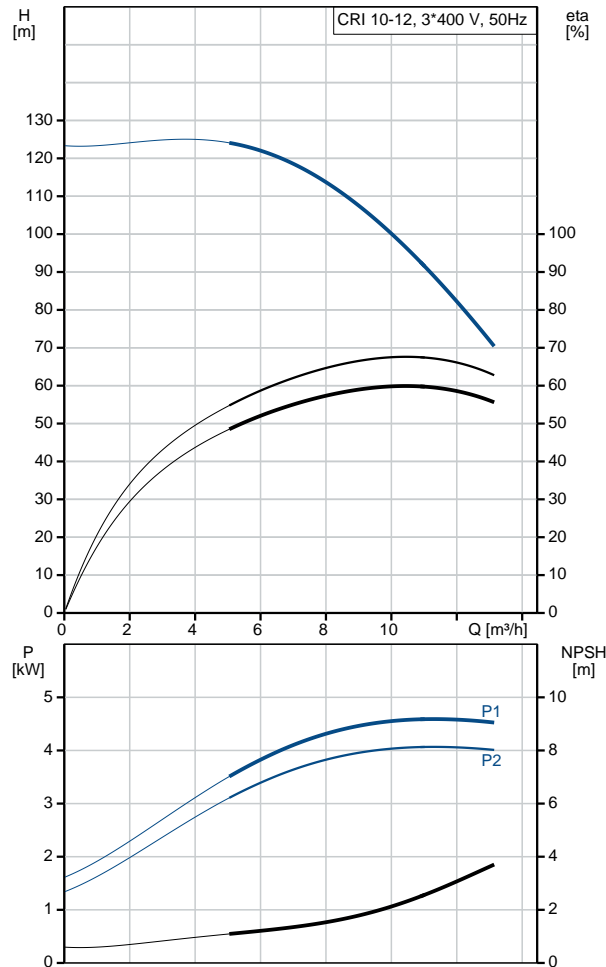
| Position | Qty. | Description  |
|----------|------|--|
|          | 1    | <p><b>CRI 10-12 A-FGJ-I-V-HQQV</b></p>  <p>Product No.: <a href="#">96501344</a></p> <p>Vertical, multistage centrifugal pump with suction and discharge ports on same the level (in-line) enabling installation in a horizontal one-pipe system. Pump materials in contact with the liquid are in stainless steel. A cartridge shaft seal ensures high reliability, safe handling and easy service and access. Power transmission is via a rigid split coupling. Pipework connection is via combined DIN-ANSI-JIS flanges.</p> <p>The pump is fitted with a 3-phase, fan-cooled asynchronous motor.</p> <p><b>Liquid:</b><br/> Pumped liquid: Water<br/> Liquid temperature range: -20 .. 90 °C<br/> Liquid temperature during operation: 20 °C<br/> Density: 998.2 kg/m<sup>3</sup></p> <p><b>Technical:</b><br/> Rated flow: 10 m<sup>3</sup>/h<br/> Rated head: 96.7 m<br/> Pump orientation: Vertical<br/> Shaft seal arrangement: Single<br/> Code for shaft seal: HQQV<br/> Approvals on nameplate: CE, EAC<br/> Curve tolerance: ISO9906:2012 3B</p> <p><b>Materials:</b><br/> Base: Stainless steel<br/> EN 1.4408<br/> AISI 316<br/> Impeller: Stainless steel<br/> EN 1.4301<br/> AISI 304<br/> Bearing: SIC</p> <p><b>Installation:</b><br/> Maximum ambient temperature: 60 °C<br/> Maximum operating pressure: 16 bar<br/> Max pressure at stated temp: 16 bar / 90 °C<br/> 16 bar / -20 °C<br/> Type of connection: DIN / ANSI / JIS<br/> Size of inlet connection: DN 40<br/> 1 1/2 inch<br/> Size of outlet connection: DN 40<br/> 1 1/2 inch<br/> Pressure rating for pipe connection: PN 25<br/> Flange rating inlet: 300 lb<br/> Flange size for motor: FT130</p> |

| Position | Qty. | Description   |
|----------|------|---|
|          |      | <p><b>Electrical data:</b></p> <p>Motor standard: IEC</p> <p>Motor type: 112MC</p> <p>IE Efficiency class: IE3</p> <p>Rated power - P2: 4 kW</p> <p>Power (P2) required by pump: 4 kW</p> <p>Mains frequency: 50 Hz</p> <p>Rated voltage: 3 x 380-415D V</p> <p>Rated current: 7.9 A</p> <p>Starting current: 1000-1110 %</p> <p>Cos phi - power factor: 0.87-0.87</p> <p>Rated speed: 2920-2940 rpm</p> <p>Efficiency: IE3 88,1%</p> <p>Motor efficiency at full load: 88.1 %</p> <p>Motor efficiency at 3/4 load: 88.6 %</p> <p>Motor efficiency at 1/2 load: 85.2 %</p> <p>Number of poles: 2</p> <p>Enclosure class (IEC 34-5): 55 Dust/Jetting</p> <p>Insulation class (IEC 85): F</p> <p><b>Controls:</b></p> <p>Frequency converter: NONE</p> <p><b>Others:</b></p> <p>Minimum efficiency index, MEI : 0.70</p> <p>Net weight: 74 kg</p> <p>Gross weight: 78 kg</p> <p>Shipping volume: 0.13 m<sup>3</sup></p> <p>Country of origin: GB</p> <p>Custom tariff no.: 84137075</p> |

## 96501344 CRI 10-12 A-FGJ-I-V-HQQV 50 Hz



| Description                          | Value                    |
|--------------------------------------|--------------------------|
| <b>General information:</b>          |                          |
| Product name:                        | CRI 10-12 A-FGJ-I-V-HQQV |
| Product No:                          | 96501344                 |
| EAN number:                          | 5700396220338            |
| Price:                               | 2.295,00 GBP             |
| <b>Technical:</b>                    |                          |
| Rated flow:                          | 10 m <sup>3</sup> /h     |
| Rated head:                          | 96.7 m                   |
| Stages:                              | 12                       |
| Impellers:                           | 12                       |
| Low NPSH:                            | N                        |
| Pump orientation:                    | Vertical                 |
| Shaft seal arrangement:              | Single                   |
| Code for shaft seal:                 | HQQV                     |
| Approvals on nameplate:              | CE, EAC                  |
| Curve tolerance:                     | ISO9906:2012 3B          |
| Pump version:                        | A                        |
| Model:                               | A                        |
| <b>Materials:</b>                    |                          |
| Base:                                | Stainless steel          |
|                                      | EN 1.4408                |
|                                      | AISI 316                 |
| Impeller:                            | Stainless steel          |
|                                      | EN 1.4301                |
|                                      | AISI 304                 |
| Material code:                       | I                        |
| Code for rubber:                     | V                        |
| Bearing:                             | SIC                      |
| <b>Installation:</b>                 |                          |
| Maximum ambient temperature:         | 60 °C                    |
| Maximum operating pressure:          | 16 bar                   |
| Max pressure at stated temp:         | 16 bar / 90 °C           |
|                                      | 16 bar / -20 °C          |
| Type of connection:                  | DIN / ANSI / JIS         |
| Size of inlet connection:            | DN 40                    |
|                                      | 1 1/2 inch               |
| Size of outlet connection:           | DN 40                    |
|                                      | 1 1/2 inch               |
| Pressure rating for pipe connection: | PN 25                    |
| Flange rating inlet:                 | 300 lb                   |
| Flange size for motor:               | FT130                    |
| Connect code:                        | FGJ                      |
| <b>Liquid:</b>                       |                          |
| Pumped liquid:                       | Water                    |
| Liquid temperature range:            | -20 .. 90 °C             |
| Liquid temperature during operation: | 20 °C                    |
| Density:                             | 998.2 kg/m <sup>3</sup>  |
| <b>Electrical data:</b>              |                          |
| Motor standard:                      | IEC                      |
| Motor type:                          | 112MC                    |
| IE Efficiency class:                 | IE3                      |
| Rated power - P2:                    | 4 kW                     |
| Power (P2) required by pump:         | 4 kW                     |
| Mains frequency:                     | 50 Hz                    |
| Rated voltage:                       | 3 x 380-415D V           |
| Rated current:                       | 7.9 A                    |
| Starting current:                    | 1000-1110 %              |
| Cos phi - power factor:              | 0.87-0.87                |





Company name:

Created by:

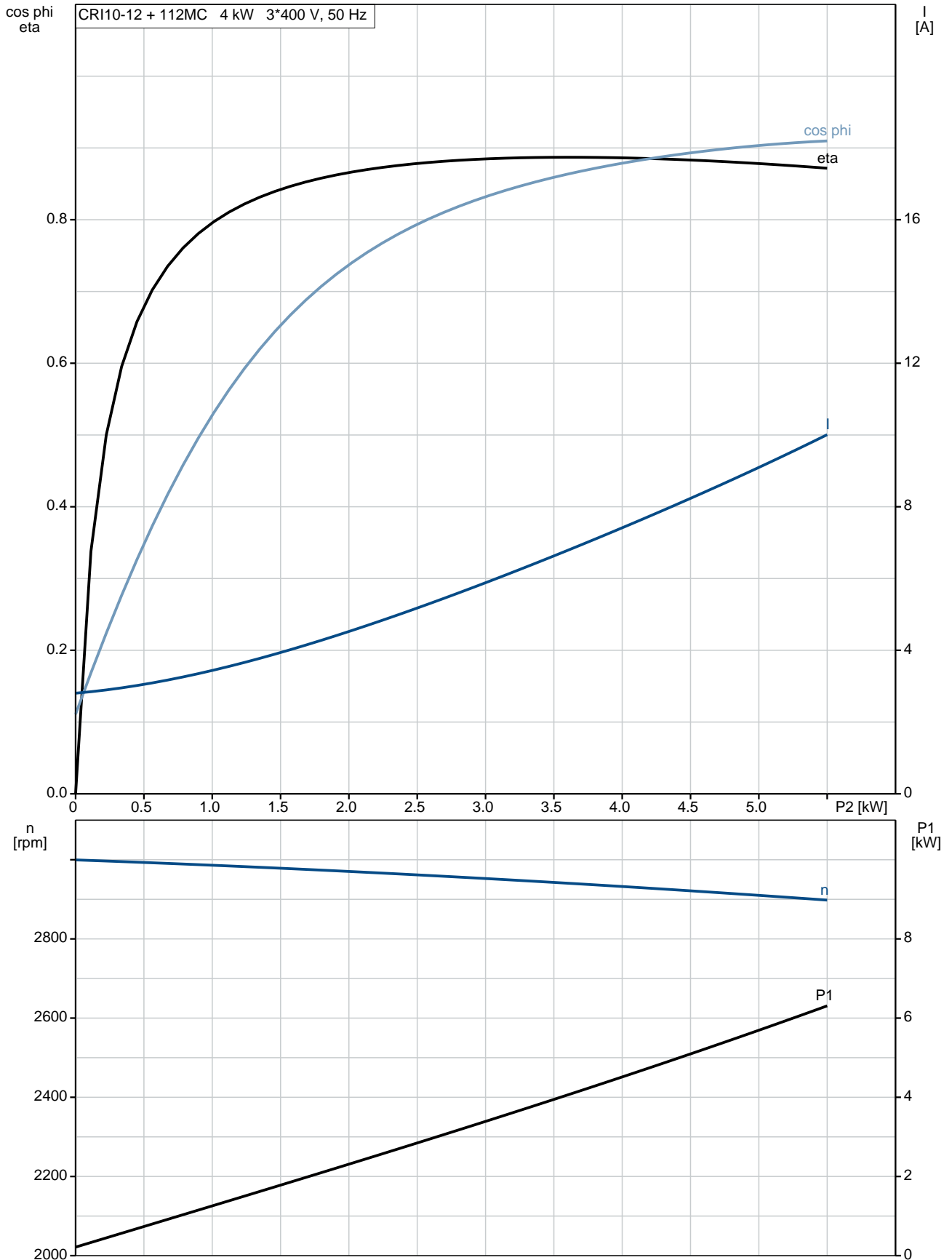
Phone:

Date:

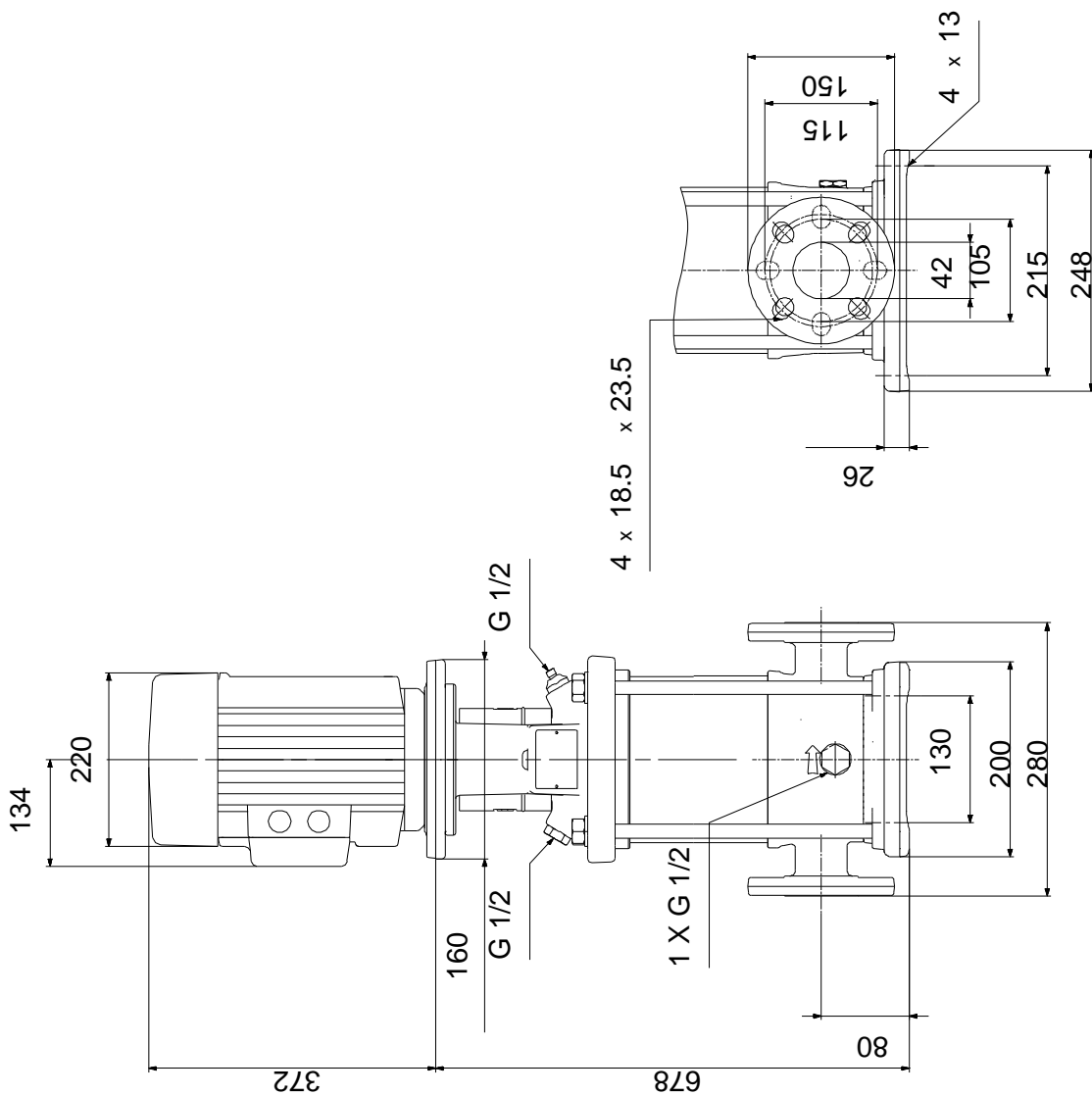
13/09/2018

| Description                     | Value               |
|---------------------------------|---------------------|
| Rated speed:                    | 2920-2940 rpm       |
| Efficiency:                     | IE3 88,1%           |
| Motor efficiency at full load:  | 88.1 %              |
| Motor efficiency at 3/4 load:   | 88.6 %              |
| Motor efficiency at 1/2 load:   | 85.2 %              |
| Number of poles:                | 2                   |
| Enclosure class (IEC 34-5):     | 55 Dust/Jetting     |
| Insulation class (IEC 85):      | F                   |
| Motor protec:                   | PTC                 |
| Motor No:                       | 85U15413            |
| <b>Controls:</b>                |                     |
| Frequency converter:            | NONE                |
| <b>Others:</b>                  |                     |
| Minimum efficiency index, MEI : | 0.70                |
| Net weight:                     | 74 kg               |
| Gross weight:                   | 78 kg               |
| Shipping volume:                | 0.13 m <sup>3</sup> |
| Country of origin:              | GB                  |
| Custom tariff no.:              | 84137075            |

## 96501344 CRI 10-12 A-FGJ-I-V-HQQV 50 Hz

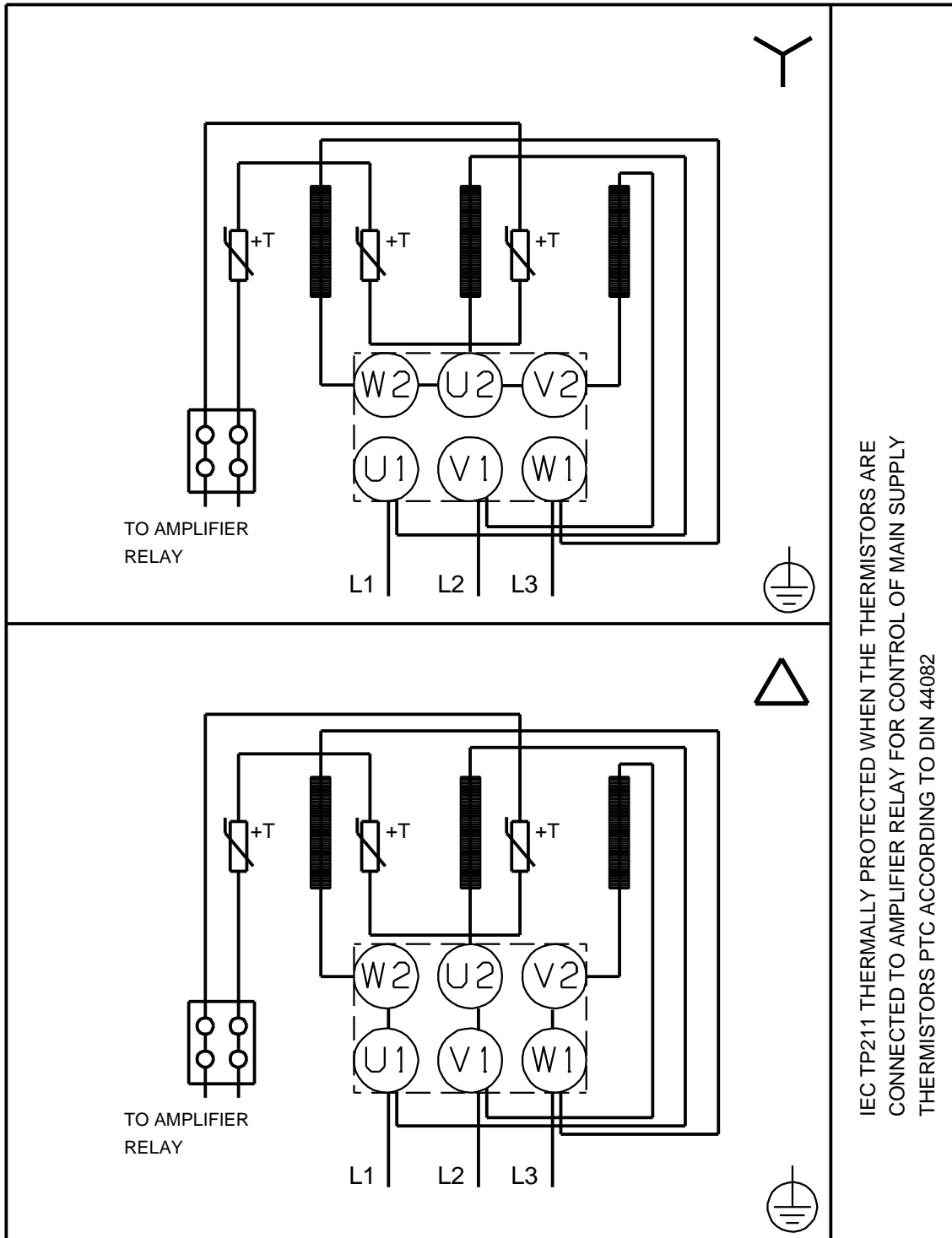


**96501344 CRI 10-12 A-FGJ-I-V-HQQV 50 Hz**



Note! All units are in [mm] unless others are stated.  
Disclaimer: This simplified dimensional drawing does not show all details.

## 96501344 CRI 10-12 A-FGJ-I-V-HQQV 50 Hz



IEC TP211 THERMALLY PROTECTED WHEN THE THERMISTORS ARE  
CONNECTED TO AMPLIFIER RELAY FOR CONTROL OF MAIN SUPPLY  
THERMISTORS PTC ACCORDING TO DIN 44082

Note! All units are in [mm] unless others are stated.