
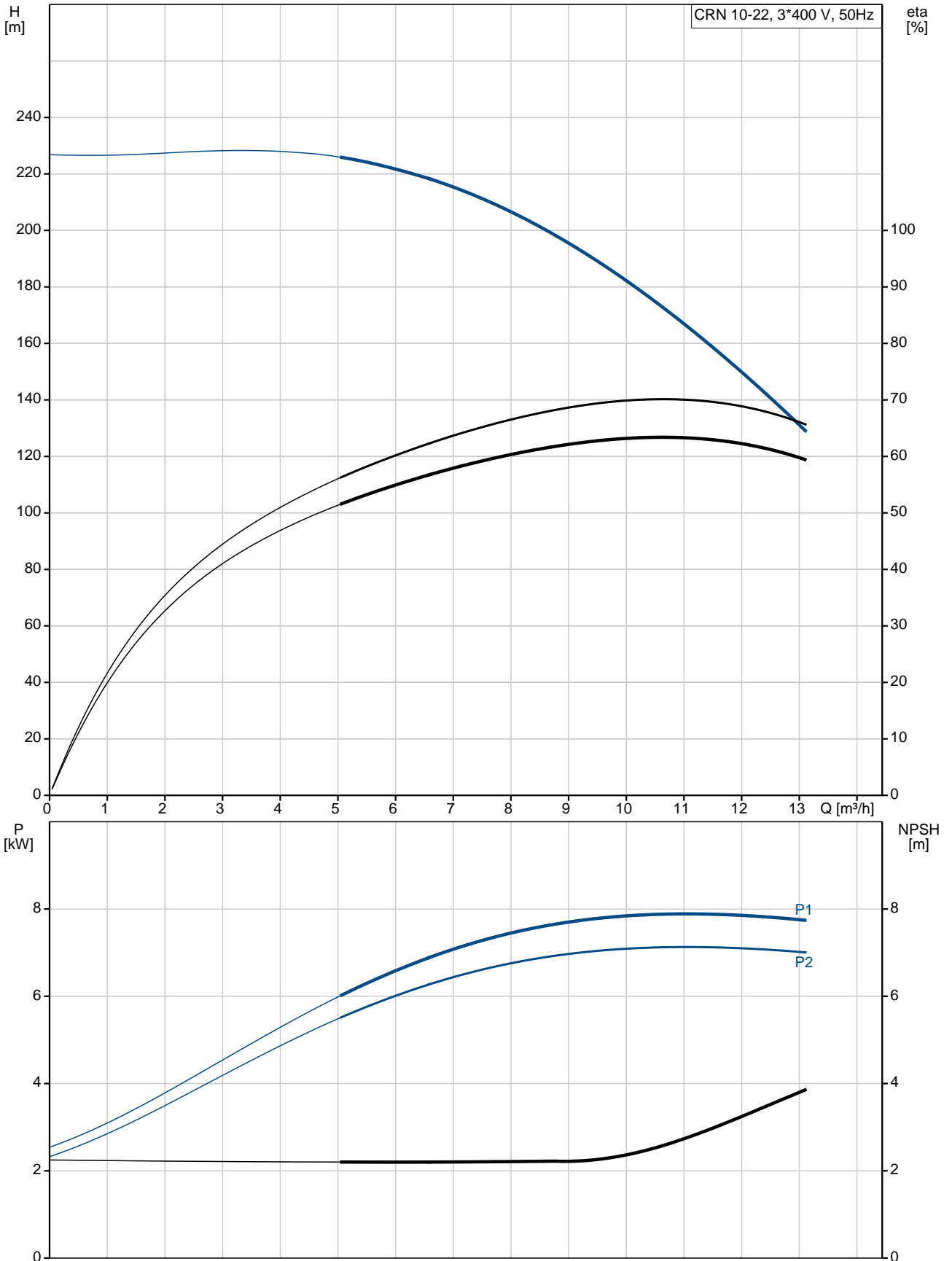


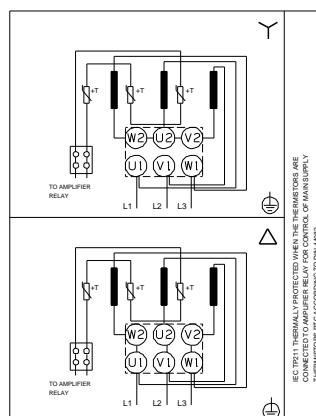
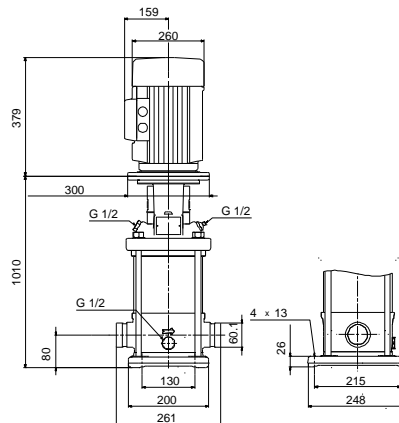
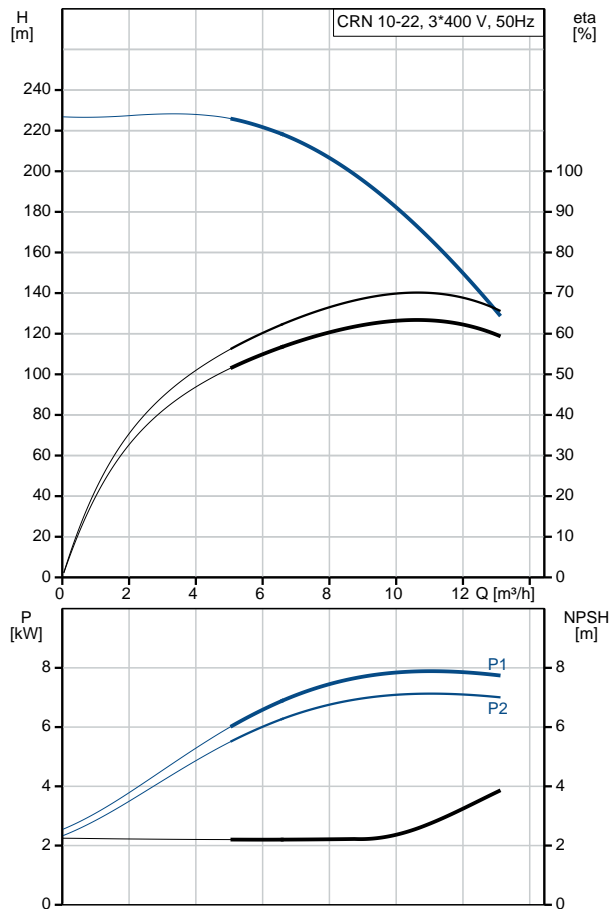
Qty.	Description
1	<p data-bbox="197 338 510 369">CRN 10-22 A-P-A-E-HQQE</p>  <p data-bbox="197 660 470 692">Product No.: 96501287</p> <p data-bbox="197 719 1455 824">Vertical, multistage centrifugal pump with inlet and outlet ports on same the level (inline). Pump materials in contact with the liquid are in high-grade stainless steel. A cartridge shaft seal ensures high reliability, safe handling, and easy access and service. Power transmission is via a rigid split coupling. Pipe connection is via PJE (Victaulic®) couplings.</p> <p data-bbox="197 862 938 893">The pump is fitted with a 3-phase, fan-cooled asynchronous motor.</p> <p data-bbox="197 920 316 952">Controls:</p> <p data-bbox="197 952 638 983">Frequency converter: NONE</p> <p data-bbox="197 1010 288 1041">Liquid:</p> <p data-bbox="197 1041 638 1072">Pumped liquid: Water</p> <p data-bbox="197 1072 710 1104">Liquid temperature range: -20 .. 120 °C</p> <p data-bbox="197 1104 686 1135">Liquid temperature during operation: 20 °C</p> <p data-bbox="197 1135 702 1167">Density: 998.2 kg/m³</p> <p data-bbox="197 1193 327 1225">Technical:</p> <p data-bbox="197 1225 821 1256">Pump speed on which pump data are based: 2919 rpm</p> <p data-bbox="197 1256 654 1288">Rated flow: 10 m³/h</p> <p data-bbox="197 1288 662 1319">Rated head: 180.6 m</p> <p data-bbox="197 1319 654 1350">Pump orientation: Vertical</p> <p data-bbox="197 1350 638 1382">Shaft seal arrangement: Single</p> <p data-bbox="197 1382 638 1413">Code for shaft seal: HQQE</p> <p data-bbox="197 1413 726 1444">Approvals on nameplate: CE, EAC, ACS</p> <p data-bbox="197 1444 766 1476">Curve tolerance: ISO9906:2012 3B</p> <p data-bbox="197 1503 319 1534">Materials:</p> <p data-bbox="197 1534 726 1601">Base: Stainless steel EN 1.4408 AISI 316</p> <p data-bbox="197 1601 726 1691">Impeller: Stainless steel EN 1.4401 AISI 316</p> <p data-bbox="197 1691 606 1736">Bearing: SIC</p> <p data-bbox="197 1762 343 1794">Installation:</p> <p data-bbox="197 1794 630 1825">Maximum ambient temperature: 60 °C</p> <p data-bbox="197 1825 638 1856">Maximum operating pressure: 25 bar</p> <p data-bbox="197 1856 742 1915">Max pressure at stated temp: 25 bar / 120 °C 25 bar / -20 °C</p> <p data-bbox="197 1915 614 1946">Type of connection: PJE</p> <p data-bbox="197 1946 638 1977">Size of inlet connection: DN 50 2 inch</p> <p data-bbox="197 1977 638 2045">Size of outlet connection: DN 50 2 inch</p> <p data-bbox="197 2045 686 2076">Pressure rating for pipe connection: PN 50</p> <p data-bbox="197 2076 638 2107">Flange size for motor: FF265</p>

Qty.	Description
	<p>Electrical data:</p> <p>Motor standard: IEC Motor type: 132SB IE Efficiency class: IE3 Rated power - P2: 7.5 kW Power (P2) required by pump: 7.5 kW Mains frequency: 50 Hz Rated voltage: 3 x 380-415D/660-690Y V Rated current: 14,4-14,0/8,30-8,10 A Starting current: 780-910 % Cos phi - power factor: 0.88-0.82 Rated speed: 2910-2920 rpm Efficiency: IE3 90,1% Motor efficiency at full load: 90.1-90.4 % Motor efficiency at 3/4 load: 90.8 % Motor efficiency at 1/2 load: 90.8 % Number of poles: 2 Enclosure class (IEC 34-5): 55 Dust/Jetting Insulation class (IEC 85): F</p> <p>Others:</p> <p>Minimum efficiency index, MEI $\hat{\alpha}\%$: 0.70 Net weight: 108 kg Gross weight: 133 kg Shipping volume: 0.365 m³ Danish VVS No.: 385913220 Country of origin: GB Custom tariff no.: 84137075</p>

96501287 CRN 10-22 A-P-A-E-HQQE 50 Hz



Description	Value
General information:	
Product name:	CRN 10-22 A-P-A-E-HQQE
Product No:	96501287
EAN number:	5700396219097
Price:	3.647,00 GBP
Technical:	
Pump speed on which pump data are based:	2919 rpm
Rated flow:	10 m ³ /h
Rated head:	180.6 m
Head max:	225 m
Stages:	22
Impellers:	22
Number of reduced-diameter impellers:	0
Low NPSH:	N
Pump orientation:	Vertical
Shaft seal arrangement:	Single
Code for shaft seal:	HQQE
Approvals on nameplate:	CE, EAC, ACS
Curve tolerance:	ISO9906:2012 3B
Pump version:	A
Model:	A
Materials:	
Base:	Stainless steel EN 1.4408 AISI 316
Impeller:	Stainless steel EN 1.4401 AISI 316
Material code:	A
Code for rubber:	E
Bearing:	SIC
Installation:	
Maximum ambient temperature:	60 °C
Maximum operating pressure:	25 bar
Max pressure at stated temp:	25 bar / 120 °C 25 bar / -20 °C
Type of connection:	PJE
Size of inlet connection:	DN 50 2 inch
Size of outlet connection:	DN 50 2 inch
Pressure rating for pipe connection:	PN 50
Flange size for motor:	FF265
Connect code:	P
Liquid:	
Pumped liquid:	Water
Liquid temperature range:	-20 .. 120 °C
Liquid temperature during operation:	20 °C
Density:	998.2 kg/m ³
Electrical data:	
Motor standard:	IEC
Motor type:	132SB
IE Efficiency class:	IE3
Rated power - P2:	7.5 kW
Power (P2) required by pump:	7.5 kW
Mains frequency:	50 Hz





Company name:

Created by:

Phone:

Date:

12/03/2019

Description	Value
Rated voltage:	3 x 380-415D/660-690Y V
Rated current:	14,4-14,0/8,30-8,10 A
Starting current:	780-910 %
Cos phi - power factor:	0.88-0.82
Rated speed:	2910-2920 rpm
Efficiency:	IE3 90,1%
Motor efficiency at full load:	90.1-90.4 %
Motor efficiency at 3/4 load:	90.8 %
Motor efficiency at 1/2 load:	90.8 %
Number of poles:	2
Enclosure class (IEC 34-5):	55 Dust/Jetting
Insulation class (IEC 85):	F
Motor protec:	PTC
Motor No:	85U17522
Controls:	
Frequency converter:	NONE
Others:	
Minimum efficiency index, MEI $\hat{a}\%$ ¥:	0.70
Net weight:	108 kg
Gross weight:	133 kg
Shipping volume:	0.365 m ³
Danish VVS No.:	385913220
Country of origin:	GB
Custom tariff no.:	84137075

96501287 CRN 10-22 A-P-A-E-HQQE 50 Hz

