
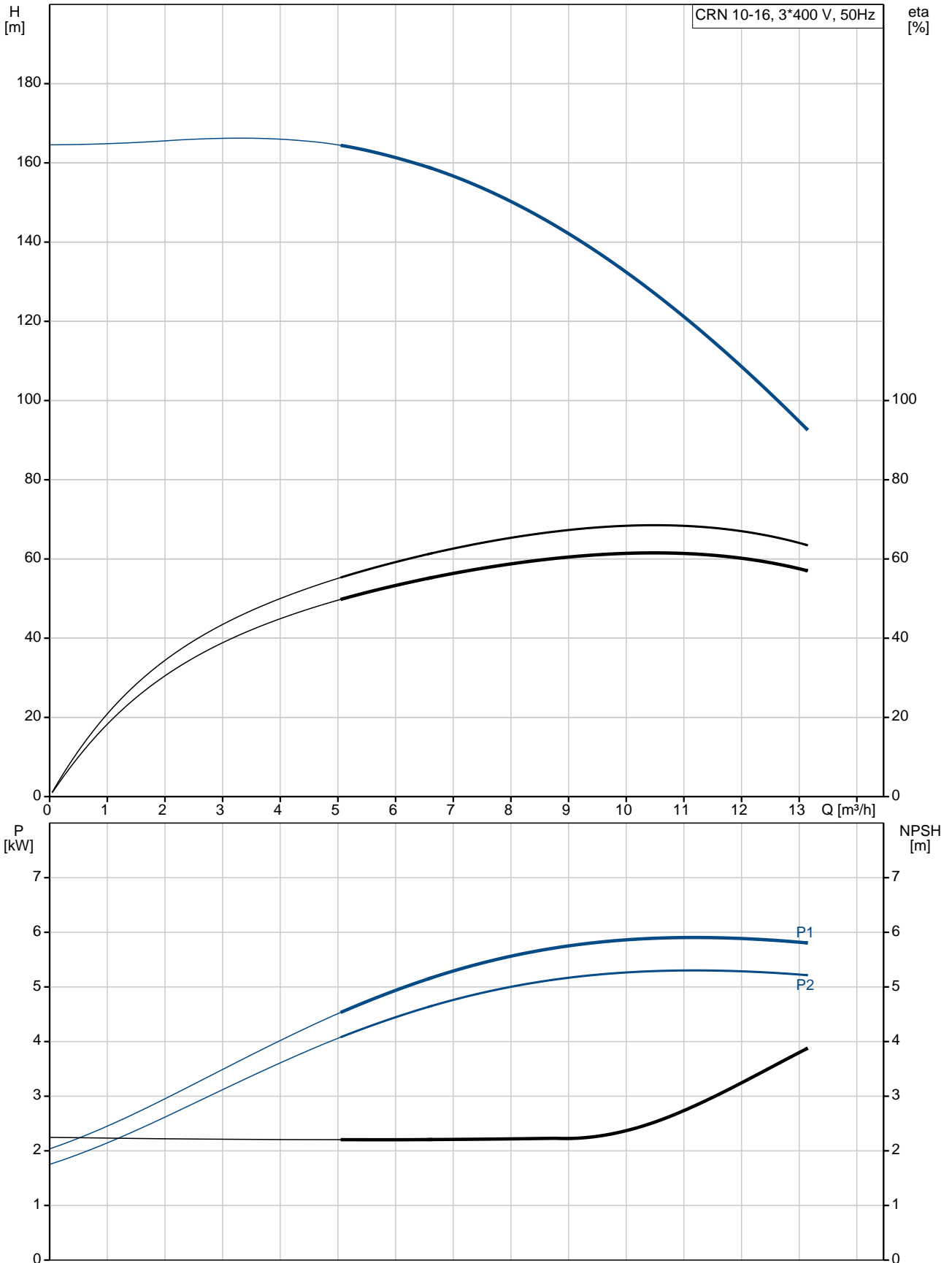


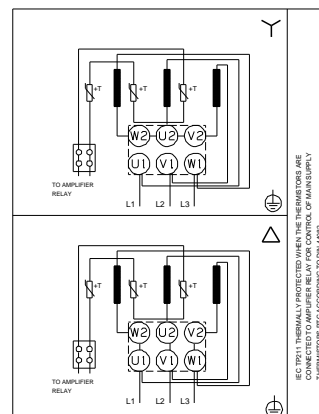
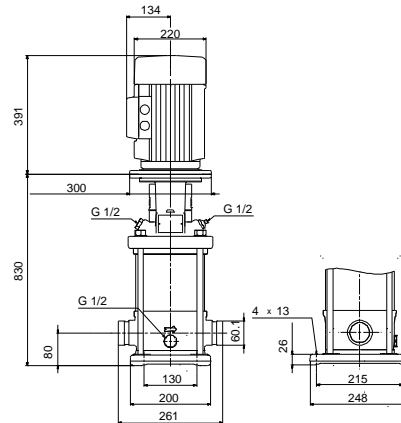
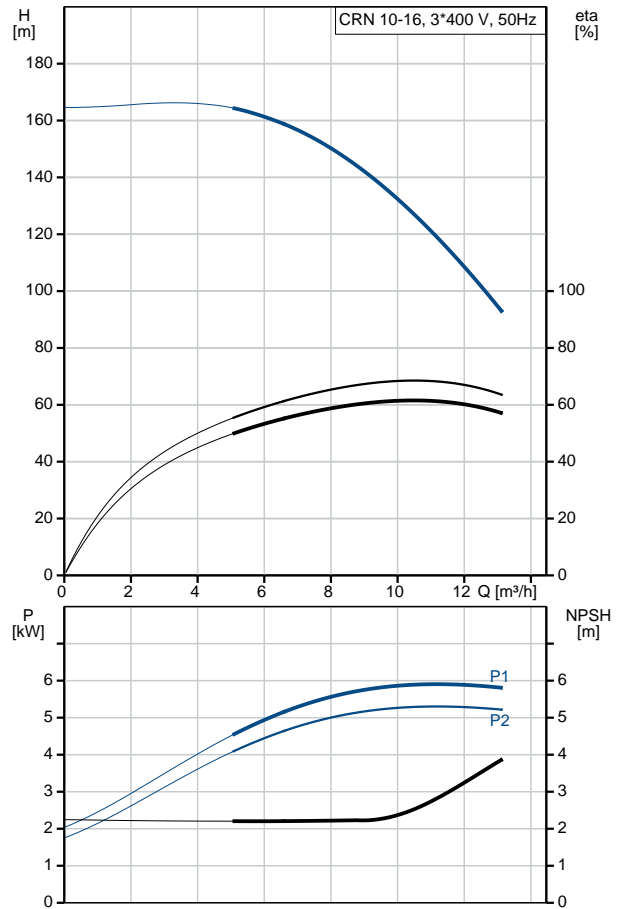
Qty.	Description
1	<p data-bbox="199 338 510 367">CRN 10-16 A-P-A-E-HQQE</p>  <p data-bbox="199 660 470 689">Product No.: 96501284</p> <p data-bbox="199 719 1455 824">Vertical, multistage centrifugal pump with inlet and outlet ports on same the level (inline). Pump materials in contact with the liquid are in high-grade stainless steel. A cartridge shaft seal ensures high reliability, safe handling, and easy access and service. Power transmission is via a rigid split coupling. Pipe connection is via PJE (Victaulic®) couplings.</p> <p data-bbox="199 862 933 891">The pump is fitted with a 3-phase, fan-cooled asynchronous motor.</p> <p data-bbox="199 922 311 952">Controls:</p> <p data-bbox="199 954 638 983">Frequency converter: NONE</p> <p data-bbox="199 1012 287 1041">Liquid:</p> <p data-bbox="199 1043 638 1072">Pumped liquid: Water</p> <p data-bbox="199 1075 710 1104">Liquid temperature range: -20 .. 120 °C</p> <p data-bbox="199 1106 686 1135">Liquid temperature during operation: 20 °C</p> <p data-bbox="199 1137 702 1167">Density: 998.2 kg/m³</p> <p data-bbox="199 1196 327 1225">Technical:</p> <p data-bbox="199 1227 821 1256">Pump speed on which pump data are based: 2919 rpm</p> <p data-bbox="199 1258 654 1288">Rated flow: 10 m³/h</p> <p data-bbox="199 1290 662 1319">Rated head: 129.4 m</p> <p data-bbox="199 1321 654 1350">Pump orientation: Vertical</p> <p data-bbox="199 1352 638 1382">Shaft seal arrangement: Single</p> <p data-bbox="199 1384 638 1413">Code for shaft seal: HQQE</p> <p data-bbox="199 1415 726 1444">Approvals on nameplate: CE, EAC, ACS</p> <p data-bbox="199 1447 766 1476">Curve tolerance: ISO9906:2012 3B</p> <p data-bbox="199 1505 319 1534">Materials:</p> <p data-bbox="199 1536 726 1608">Base: Stainless steel EN 1.4408 AISI 316</p> <p data-bbox="199 1615 726 1686">Impeller: Stainless steel EN 1.4401 AISI 316</p> <p data-bbox="199 1693 606 1722">Bearing: SIC</p> <p data-bbox="199 1751 343 1780">Installation:</p> <p data-bbox="199 1783 630 1812">Maximum ambient temperature: 60 °C</p> <p data-bbox="199 1814 638 1843">Maximum operating pressure: 25 bar</p> <p data-bbox="199 1845 742 1917">Max pressure at stated temp: 25 bar / 120 °C 25 bar / -20 °C</p> <p data-bbox="199 1924 614 1953">Type of connection: PJE</p> <p data-bbox="199 1955 638 1984">Size of inlet connection: DN 50 2 inch</p> <p data-bbox="199 1986 638 2058">Size of outlet connection: DN 50 2 inch</p> <p data-bbox="199 2065 686 2094">Pressure rating for pipe connection: PN 50</p> <p data-bbox="199 2096 638 2125">Flange size for motor: FF265</p>

Qty.	Description
	<p>Electrical data:</p> <p>Motor standard: IEC</p> <p>Motor type: 132SC</p> <p>IE Efficiency class: IE3</p> <p>Rated power - P2: 5.5 kW</p> <p>Power (P2) required by pump: 5.5 kW</p> <p>Mains frequency: 50 Hz</p> <p>Rated voltage: 3 x 380-415D V</p> <p>Rated current: 11 A</p> <p>Starting current: 1080-1180 %</p> <p>Cos phi - power factor: 0.87-0.82</p> <p>Rated speed: 2920-2940 rpm</p> <p>Efficiency: IE3 89,2%</p> <p>Motor efficiency at full load: 89.2 %</p> <p>Motor efficiency at 3/4 load: 90.0 %</p> <p>Motor efficiency at 1/2 load: 89.6 %</p> <p>Number of poles: 2</p> <p>Enclosure class (IEC 34-5): 55 Dust/Jetting</p> <p>Insulation class (IEC 85): F</p> <p>Others:</p> <p>Minimum efficiency index, MEI $\hat{\alpha}\%$: 0.70</p> <p>Net weight: 92 kg</p> <p>Gross weight: 114 kg</p> <p>Shipping volume: 0.321 m³</p> <p>Danish VVS No.: 385913160</p> <p>Country of origin: GB</p> <p>Custom tariff no.: 84137075</p>

96501284 CRN 10-16 A-P-A-E-HQQE 50 Hz



Description	Value
General information:	
Product name:	CRN 10-16 A-P-A-E-HQQE
Product No:	96501284
EAN number:	5700396219035
Price:	3.028,00 GBP
Technical:	
Pump speed on which pump data are based:	2919 rpm
Rated flow:	10 m ³ /h
Rated head:	129.4 m
Head max:	163 m
Stages:	16
Impellers:	16
Number of reduced-diameter impellers:	0
Low NPSH:	N
Pump orientation:	Vertical
Shaft seal arrangement:	Single
Code for shaft seal:	HQQE
Approvals on nameplate:	CE, EAC, ACS
Curve tolerance:	ISO9906:2012 3B
Pump version:	A
Model:	A
Materials:	
Base:	Stainless steel EN 1.4408 AISI 316
Impeller:	Stainless steel EN 1.4401 AISI 316
Material code:	A
Code for rubber:	E
Bearing:	SIC
Installation:	
Maximum ambient temperature:	60 °C
Maximum operating pressure:	25 bar
Max pressure at stated temp:	25 bar / 120 °C 25 bar / -20 °C
Type of connection:	PJE
Size of inlet connection:	DN 50 2 inch
Size of outlet connection:	DN 50 2 inch
Pressure rating for pipe connection:	PN 50
Flange size for motor:	FF265
Connect code:	P
Liquid:	
Pumped liquid:	Water
Liquid temperature range:	-20 .. 120 °C
Liquid temperature during operation:	20 °C
Density:	998.2 kg/m ³
Electrical data:	
Motor standard:	IEC
Motor type:	132SC
IE Efficiency class:	IE3
Rated power - P2:	5.5 kW
Power (P2) required by pump:	5.5 kW
Mains frequency:	50 Hz
Rated voltage:	3 x 380-415D V





Company name:

Created by:

Phone:

Date:

12/03/2019

Description	Value
Rated current:	11 A
Starting current:	1080-1180 %
Cos phi - power factor:	0.87-0.82
Rated speed:	2920-2940 rpm
Efficiency:	IE3 89,2%
Motor efficiency at full load:	89.2 %
Motor efficiency at 3/4 load:	90.0 %
Motor efficiency at 1/2 load:	89.6 %
Number of poles:	2
Enclosure class (IEC 34-5):	55 Dust/Jetting
Insulation class (IEC 85):	F
Motor protec:	PTC
Motor No:	85U17417
Controls:	
Frequency converter:	NONE
Others:	
Minimum efficiency index, MEI η_{min} :	0.70
Net weight:	92 kg
Gross weight:	114 kg
Shipping volume:	0.321 m ³
Danish VVS No.:	385913160
Country of origin:	GB
Custom tariff no.:	84137075

96501284 CRN 10-16 A-P-A-E-HQQE 50 Hz

