

Qty. Description

1 CRN 20-4 A-P-A-E-HQQE



Note! Product picture may differ from actual product

Product No.: [96500560](#)

Vertical, multistage centrifugal pump with inlet and outlet ports on same the level (inline). Pump materials in contact with the liquid are in high-grade stainless steel. A cartridge shaft seal ensures high reliability, safe handling, and easy access and service. Power transmission is via a rigid split coupling. Pipe connection is via PJE (Victaulic®) couplings.

The pump is fitted with a 3-phase, fan-cooled asynchronous motor.

Controls:

Frequency converter: NONE

Liquid:

Pumped liquid: Water
 Liquid temperature range: -20 .. 120 °C
 Liquid temperature during operation: 20 °C
 Density: 998.2 kg/m³

Technical:

Pump speed on which pump data are based: 2919 rpm
 Rated flow: 21 m³/h
 Rated head: 46.7 m
 Pump orientation: Vertical
 Shaft seal arrangement: Single
 Code for shaft seal: HQQE
 Approvals on nameplate: CE, EAC,ACS
 Curve tolerance: ISO9906:2012 3B

Materials:

Base: Stainless steel
 EN 1.4408
 AISI 316
 Impeller: Stainless steel
 EN 1.4401
 AISI 316
 Bearing: SIC

Qty. Description

Installation:

Maximum ambient temperature: 60 °C
 Maximum operating pressure: 25 bar
 Max pressure at stated temp: 25 bar / 120 °C
 25 bar / -20 °C
 Type of connection: PJE
 Size of inlet connection: DN 50
 2 inch
 Size of outlet connection: DN 50
 2 inch
 Pressure rating for pipe connection: PN 50
 Flange size for motor: FF265

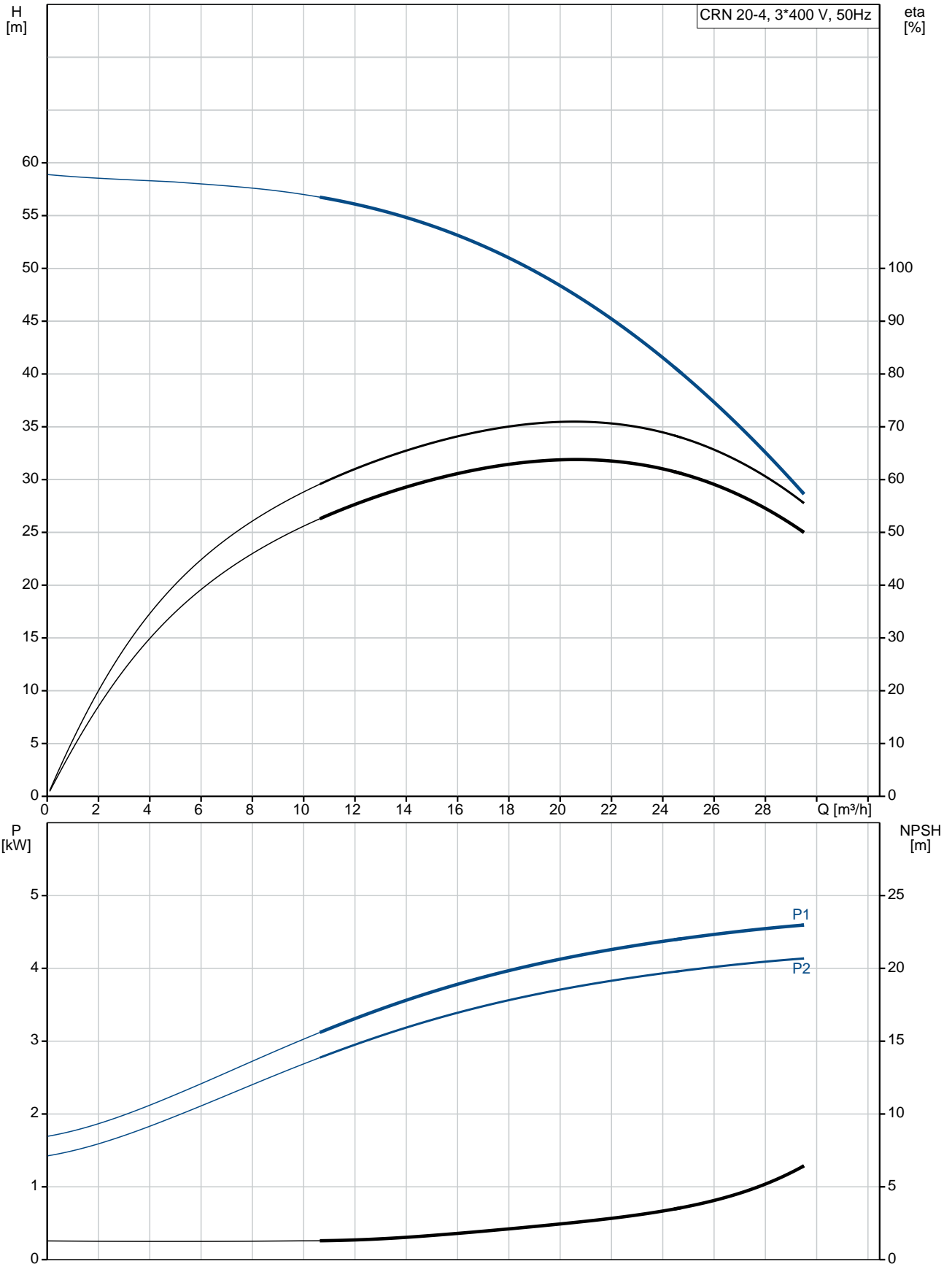
Electrical data:

Motor standard: IEC
 Motor type: 132SC
 IE Efficiency class: IE3
 Rated power - P2: 5.5 kW
 Power (P2) required by pump: 5.5 kW
 Mains frequency: 50 Hz
 Rated voltage: 3 x 380-415D V
 Rated current: 11 A
 Starting current: 1080-1180 %
 Cos phi - power factor: 0.87-0.82
 Rated speed: 2920-2940 rpm
 Efficiency: IE3 89,2%
 Motor efficiency at full load: 89.2 %
 Motor efficiency at 3/4 load: 90.0 %
 Motor efficiency at 1/2 load: 89.6 %
 Number of poles: 2
 Enclosure class (IEC 34-5): 55 Dust/Jetting
 Insulation class (IEC 85): F

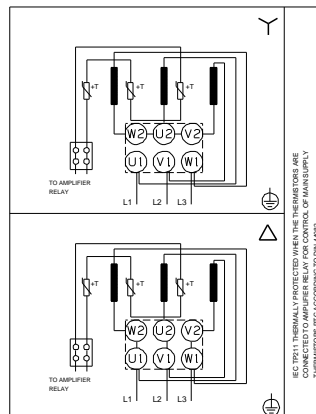
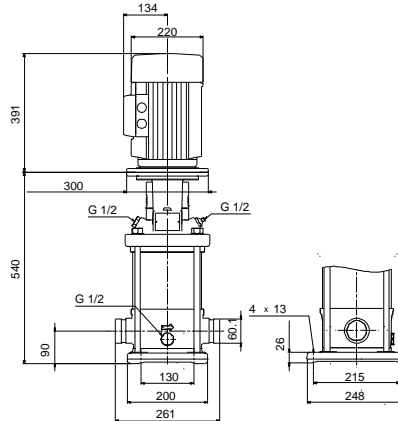
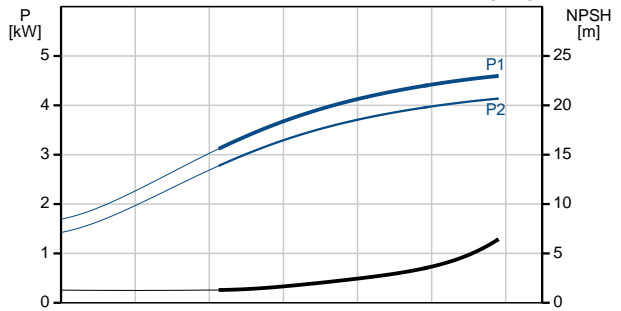
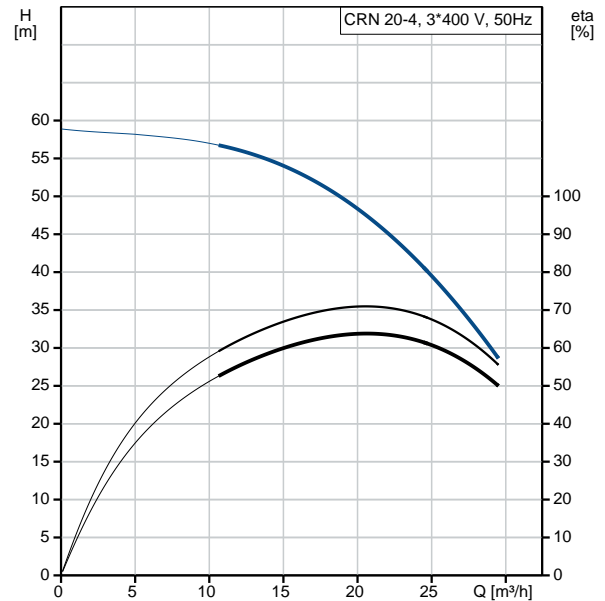
Others:

Minimum efficiency index, MEI $\hat{\alpha}\%$: 0.70
 Net weight: 82 kg
 Gross weight: 104 kg
 Shipping volume: 0.234 m³
 Danish VVS No.: 385915040
 Country of origin: GB
 Custom tariff no.: 84137075

96500560 CRN 20-4 A-P-A-E-HQQE 50 Hz



Description	Value
General information:	
Product name:	CRN 20-4 A-P-A-E-HQQE
Product No:	96500560
EAN number:	5700396204260
Price:	2.837,00 GBP
Technical:	
Pump speed on which pump data are based:	2919 rpm
Rated flow:	21 m ³ /h
Rated head:	46.7 m
Head max:	58.8 m
Stages:	4
Impellers:	4
Number of reduced-diameter impellers:	0
Low NPSH:	N
Pump orientation:	Vertical
Shaft seal arrangement:	Single
Code for shaft seal:	HQQE
Approvals on nameplate:	CE, EAC, ACS
Curve tolerance:	ISO9906:2012 3B
Pump version:	A
Model:	A
Materials:	
Base:	Stainless steel EN 1.4408 AISI 316
Impeller:	Stainless steel EN 1.4401 AISI 316
Material code:	A
Code for rubber:	E
Bearing:	SIC
Installation:	
Maximum ambient temperature:	60 °C
Maximum operating pressure:	25 bar
Max pressure at stated temp:	25 bar / 120 °C 25 bar / -20 °C
Type of connection:	PJE
Size of inlet connection:	DN 50 2 inch
Size of outlet connection:	DN 50 2 inch
Pressure rating for pipe connection:	PN 50
Flange size for motor:	FF265
Connect code:	P
Liquid:	
Pumped liquid:	Water
Liquid temperature range:	-20 .. 120 °C
Liquid temperature during operation:	20 °C
Density:	998.2 kg/m ³
Electrical data:	
Motor standard:	IEC
Motor type:	132SC
IE Efficiency class:	IE3
Rated power - P2:	5.5 kW
Power (P2) required by pump:	5.5 kW
Mains frequency:	50 Hz
Rated voltage:	3 x 380-415D V





Company name:

Created by:

Phone:

Date:

12/03/2019

Description	Value
Rated current:	11 A
Starting current:	1080-1180 %
Cos phi - power factor:	0.87-0.82
Rated speed:	2920-2940 rpm
Efficiency:	IE3 89,2%
Motor efficiency at full load:	89.2 %
Motor efficiency at 3/4 load:	90.0 %
Motor efficiency at 1/2 load:	89.6 %
Number of poles:	2
Enclosure class (IEC 34-5):	55 Dust/Jetting
Insulation class (IEC 85):	F
Motor protec:	PTC
Motor No:	85U17417
Controls:	
Frequency converter:	NONE
Others:	
Minimum efficiency index, MEI η_{min} :	0.70
Net weight:	82 kg
Gross weight:	104 kg
Shipping volume:	0.234 m ³
Danish VVS No.:	385915040
Country of origin:	GB
Custom tariff no.:	84137075