


Qty.	Description
1	<p data-bbox="199 336 494 369"><b>CRN 20-1 A-P-A-E-HQQE</b></p> <div data-bbox="343 380 438 638" style="text-align: center;">  </div> <p data-bbox="199 660 470 694">Product No.: <a href="#">96500304</a></p> <p data-bbox="199 716 1460 817">Vertical, multistage centrifugal pump with inlet and outlet ports on same the level (inline). Pump materials in contact with the liquid are in high-grade stainless steel. A cartridge shaft seal ensures high reliability, safe handling, and easy access and service. Power transmission is via a rigid split coupling. Pipe connection is via PJE (Victaulic®) couplings.</p> <p data-bbox="199 862 933 896">The pump is fitted with a 1-phase, fan-cooled asynchronous motor.</p> <p data-bbox="199 918 319 952"><b>Controls:</b></p> <p data-bbox="199 952 638 985">Frequency converter:                    NONE</p> <p data-bbox="199 1008 295 1041"><b>Liquid:</b></p> <p data-bbox="199 1041 638 1075">Pumped liquid:                            Water</p> <p data-bbox="199 1075 710 1108">Liquid temperature range:            -20 .. 120 °C</p> <p data-bbox="199 1108 694 1142">Liquid temperature during operation: 20 °C</p> <p data-bbox="199 1142 702 1176">Density:                                      998.2 kg/m<sup>3</sup></p> <p data-bbox="199 1198 327 1232"><b>Technical:</b></p> <p data-bbox="199 1232 821 1265">Pump speed on which pump data are based: 2789 rpm</p> <p data-bbox="199 1265 654 1299">Rated flow:                                  21 m<sup>3</sup>/h</p> <p data-bbox="199 1299 630 1332">Rated head:                                  9.5 m</p> <p data-bbox="199 1332 654 1366">Pump orientation:                        Vertical</p> <p data-bbox="199 1366 638 1400">Shaft seal arrangement:                Single</p> <p data-bbox="199 1400 638 1433">Code for shaft seal:                        HQQE</p> <p data-bbox="199 1433 726 1467">Approvals on nameplate:                CE, EAC, ACS</p> <p data-bbox="199 1467 766 1500">Curve tolerance:                            ISO9906:2012 3B</p> <p data-bbox="199 1523 327 1556"><b>Materials:</b></p> <p data-bbox="199 1556 726 1590">Base:    Stainless steel</p> <p data-bbox="566 1590 686 1624">EN 1.4408</p> <p data-bbox="566 1624 662 1657">AISI 316</p> <p data-bbox="199 1657 726 1691">Impeller:                                      Stainless steel</p> <p data-bbox="566 1691 686 1724">EN 1.4401</p> <p data-bbox="566 1724 662 1758">AISI 316</p> <p data-bbox="199 1758 614 1792">Bearing:                                        SIC</p> <p data-bbox="199 1814 343 1848"><b>Installation:</b></p> <p data-bbox="199 1848 630 1881">Maximum ambient temperature: 40 °C</p> <p data-bbox="199 1881 638 1915">Maximum operating pressure: 25 bar</p> <p data-bbox="199 1915 742 1948">Max pressure at stated temp: 25 bar / 120 °C</p> <p data-bbox="566 1948 742 1982">25 bar / -20 °C</p> <p data-bbox="199 1982 614 2016">Type of connection:                        PJE</p> <p data-bbox="199 2016 638 2049">Size of inlet connection:                  DN 50</p> <p data-bbox="566 2049 638 2083">2 inch</p> <p data-bbox="199 2083 638 2116">Size of outlet connection:                DN 50</p> <p data-bbox="566 2116 638 2150">2 inch</p> <p data-bbox="199 2150 686 2184">Pressure rating for pipe connection: PN 50</p> <p data-bbox="199 2184 638 2217">Flange size for motor:                      FT115</p>

Qty.	Description
------	-------------

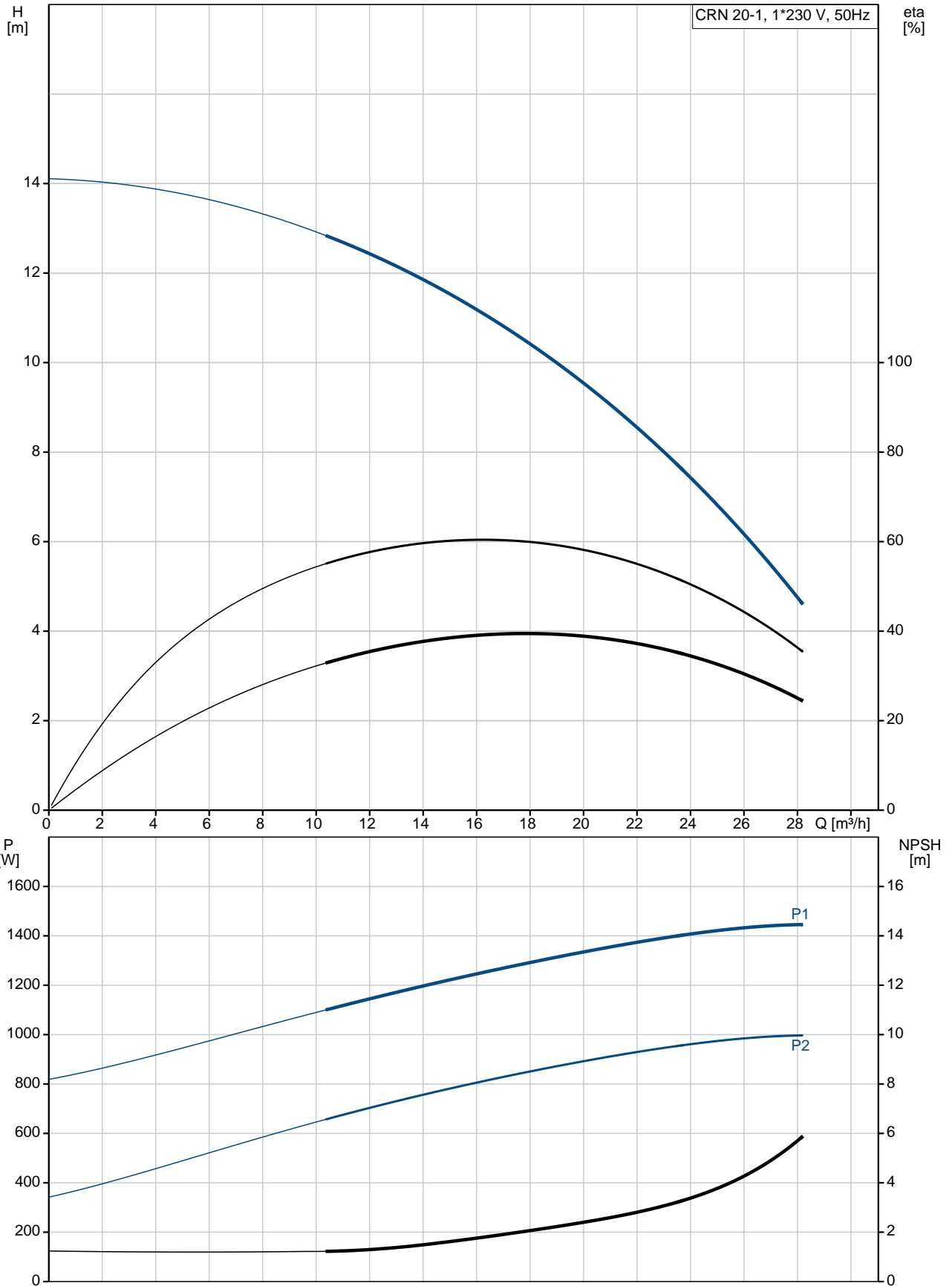
**Electrical data:**

Motor standard:	IEC
Motor type:	90SB
Rated power - P2:	1.1 kW
Power (P2) required by pump:	1.1 kW
Mains frequency:	50 Hz
Rated voltage:	1 x 220-230/240 V
Rated current:	7.40/6.70 A
Starting current:	390 %
Cos phi - power factor:	0.98/0.99
Rated speed:	2770 rpm
Motor efficiency at full load:	73-71 %
Number of poles:	2
Enclosure class (IEC 34-5):	55 Dust/Jetting
Insulation class (IEC 85):	F

**Others:**

Minimum efficiency index, MEI $\eta_{min}$ :	0.70
Net weight:	42 kg
Gross weight:	46 kg
Shipping volume:	0.094 m <sup>3</sup>
Country of origin:	GB
Custom tariff no.:	84137075

## 96500304 CRN 20-1 A-P-A-E-HQQE 50 Hz



Description	Value
-------------	-------

**General information:**

Product name: CRN 20-1  
 A-P-A-E-HQQE  
 Product No: 96500304  
 EAN number: 5700396198941  
 Price: 1.571,00 GBP

**Technical:**

Pump speed on which pump data are based: 2789 rpm  
 Rated flow: 21 m³/h  
 Rated head: 9.5 m  
 Head max: 13.8 m  
 Stages: 2  
 Impellers: 1  
 Number of reduced-diameter impellers: 0  
 Low NPSH: N  
 Pump orientation: Vertical  
 Shaft seal arrangement: Single  
 Code for shaft seal: HQQE  
 Approvals on nameplate: CE, EAC, ACS  
 Curve tolerance: ISO9906:2012 3B  
 Pump version: A  
 Model: A

**Materials:**

Base: Stainless steel  
 EN 1.4408  
 AISI 316  
 Impeller: Stainless steel  
 EN 1.4401  
 AISI 316

Material code: N  
 Code for rubber: E  
 Bearing: SIC

**Installation:**

Maximum ambient temperature: 40 °C  
 Maximum operating pressure: 25 bar  
 Max pressure at stated temp: 25 bar / 120 °C  
 25 bar / -20 °C

Type of connection: PJE  
 Size of inlet connection: DN 50  
 2 inch  
 Size of outlet connection: DN 50  
 2 inch

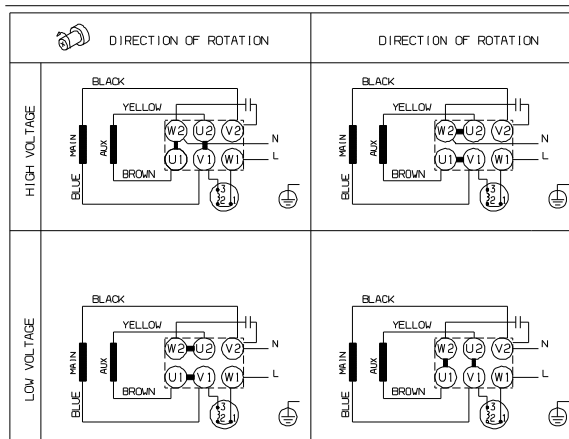
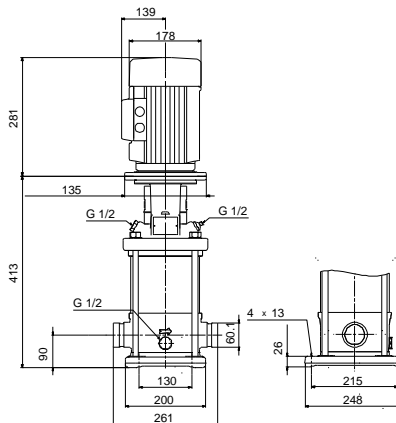
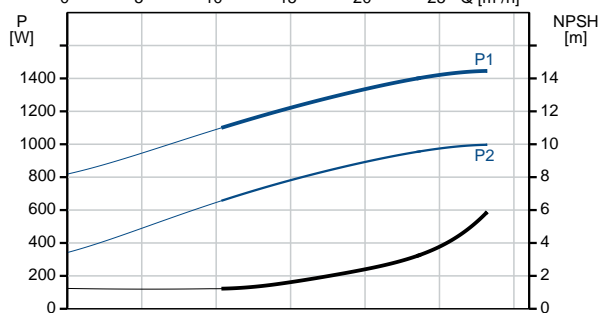
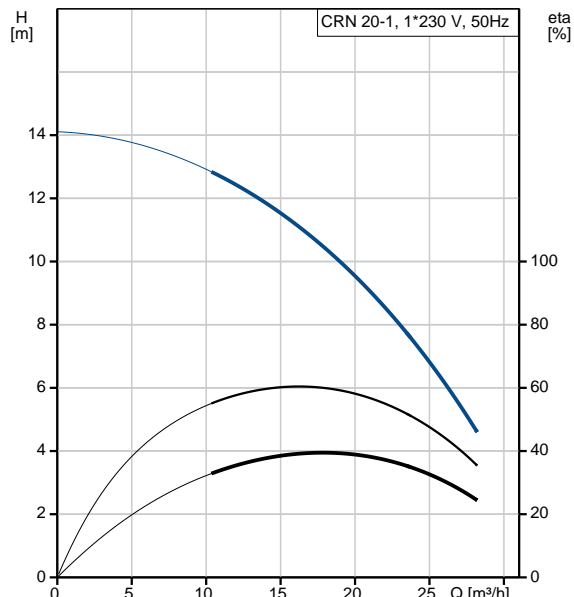
Pressure rating for pipe connection: PN 50  
 Flange size for motor: FT115  
 Connect code: P

**Liquid:**

Pumped liquid: Water  
 Liquid temperature range: -20 .. 120 °C  
 Liquid temperature during operation: 20 °C  
 Density: 998.2 kg/m³

**Electrical data:**

Motor standard: IEC  
 Motor type: 90SB  
 Rated power - P2: 1.1 kW  
 Power (P2) required by pump: 1.1 kW  
 Mains frequency: 50 Hz  
 Rated voltage: 1 x 220-230/240 V  
 Rated current: 7.40/6.70 A





Company name:

Created by:

Phone:

Date:

12/03/2019

Description	Value
Starting current:	390 %
Cos phi - power factor:	0.98/0.99
Rated speed:	2770 rpm
Motor efficiency at full load:	73-71 %
Number of poles:	2
Enclosure class (IEC 34-5):	55 Dust/Jetting
Insulation class (IEC 85):	F
Motor protec:	PTO
Motor No:	85215705
<b>Controls:</b>	
Frequency converter:	NONE
<b>Others:</b>	
Minimum efficiency index, MEI %:	0.70
Net weight:	42 kg
Gross weight:	46 kg
Shipping volume:	0.094 m <sup>3</sup>
Country of origin:	GB
Custom tariff no.:	84137075

## 96500304 CRN 20-1 A-P-A-E-HQQE 50 Hz

