
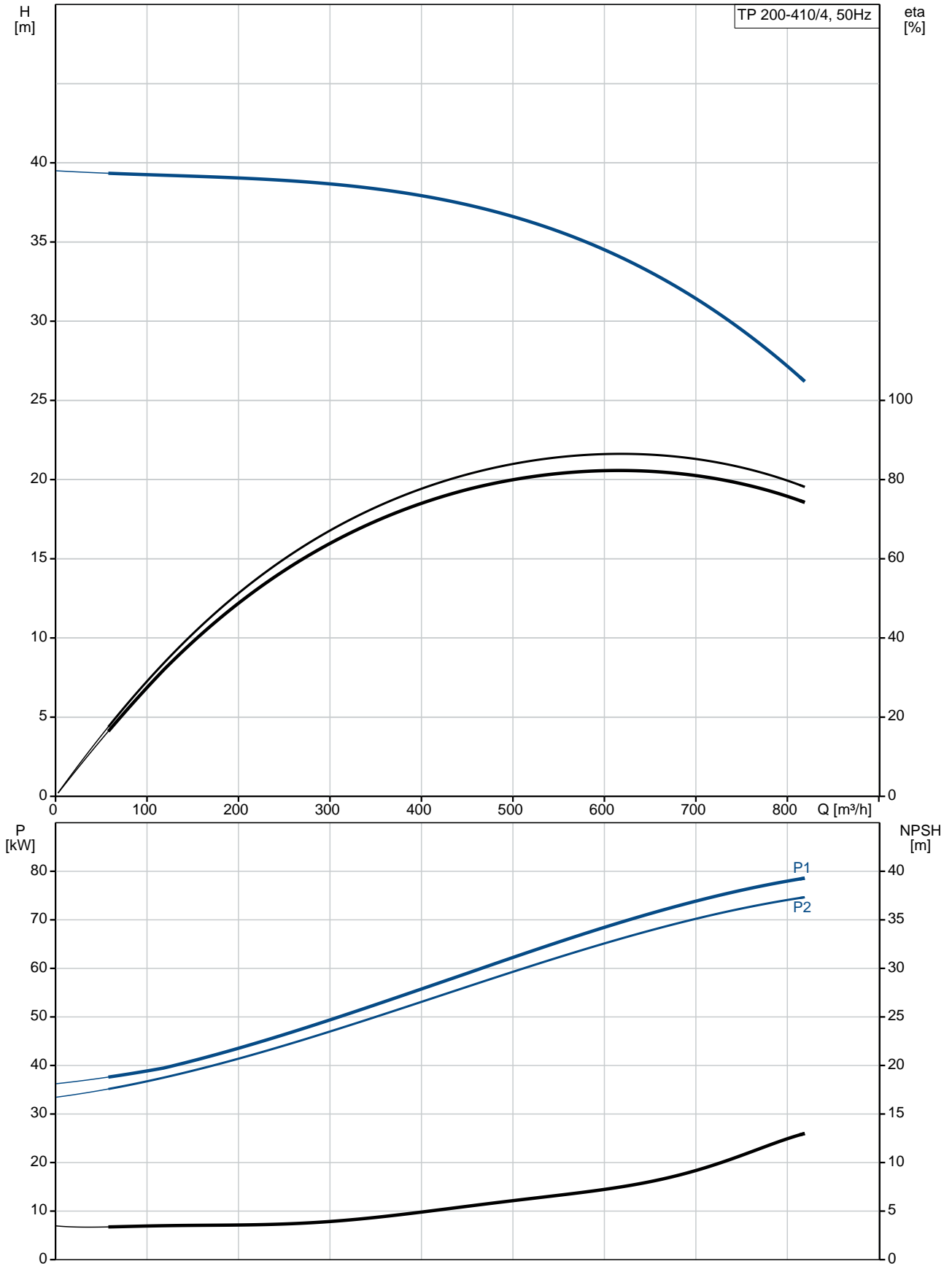


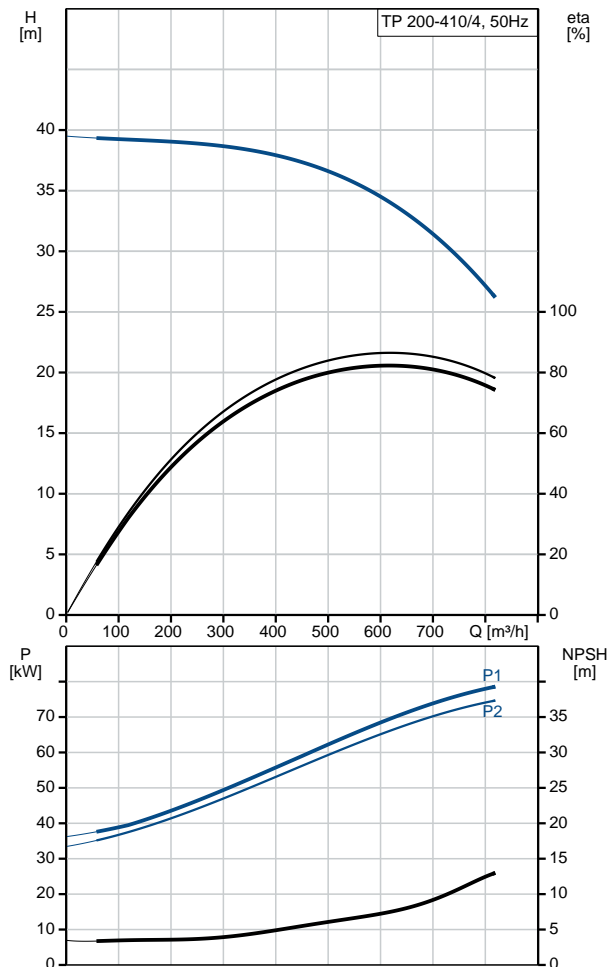
| Position | Qty. | Description |
|----------|------|---|
| | 1 | <p>TP 200-410/4 A-F-A-BQQE</p>  <p>Product No.: 96306156</p> <p>Single-stage, close-coupled, volute pump with in-line suction and discharge ports of identical diameter. The pump is of the top-pull-out design, i.e. the power head (motor, pump head and impeller) can be removed for maintenance or service while the pump housing remains in the pipework.</p> <p>The pump is fitted with an unbalanced rubber bellows seal. The shaft seal is according to EN 12756. Pipework connection is via PN 16 DIN flanges (EN 1092-2 and ISO 7005-2).</p> <p>The pump is fitted with a fan-cooled asynchronous motor.</p> <p>Liquid: Pumped liquid: Water Liquid temperature range: -25 .. 120 °C Liquid temperature during operation: 20 °C Density: 998.2 kg/m³</p> <p>Technical: Speed for pump data: 1480 rpm Rated flow: 630 m³/h Rated head: 33.7 m Actual impeller diameter: 338 mm Primary shaft seal: BQQE Curve tolerance: ISO9906:2012 3B</p> <p>Materials: Pump housing: Cast iron EN-JL1040 ASTM A48-40 B Impeller: Cast iron EN-JL1030 ASTM A48-30 B</p> <p>Installation: Range of ambient temperature: -20 .. 55 °C Maximum operating pressure: 16 bar Flange standard: DIN Pipe connection: DN 200 Pump inlet: DN 200 Pump outlet: DN 200 Pressure stage: PN 16 Port-to-port length: 900 mm Flange size for motor: FF500</p> <p>Electrical data: Motor type: SIEMENS IE Efficiency class: IE3 Rated power - P2: 75 kW Power (P2) required by pump: 75 kW Mains frequency: 50 Hz</p> |

| Position | Qty. | Description |
|----------|------|--|
| | | <p>Rated voltage: 3 x 380-420D/660-725Y V Rated current: 140-130/80,0-74,0 A Starting current: 690-690 % Cos phi - power factor: 0,86 Rated speed: 1485 rpm Efficiency: IE3 95,0% Motor efficiency at full load: 95.0-95.0 % Motor efficiency at 3/4 load: 95.3-95.3 % Motor efficiency at 1/2 load: 95.0-95.0 % Number of poles: 4 Enclosure class (IEC 34-5): 55 Dust/Jetting Insulation class (IEC 85): F</p> <p>Others: Minimum efficiency index, MEI : 0.70 ErP status: EuP Standalone/Prod. Net weight: 901 kg Gross weight: 939 kg Shipping volume: 3.13 m³ Danish: VVS NO 38 1719.410</p> |

96306156 TP 200-410/4 50 Hz



| Description | Value |
|--------------------------------------|---|
| General information: | |
| Product name: | TP 200-410/4 A-F-A-BQQE |
| Product No: | 96306156 |
| EAN number: | 5700835125972 |
| Technical: | |
| Speed for pump data: | 1480 rpm |
| Rated flow: | 630 m ³ /h |
| Rated head: | 33.7 m |
| Head max: | 410 dm |
| Actual impeller diameter: | 338 mm |
| Primary shaft seal: | BQQE |
| Curve tolerance: | ISO9906:2012 3B |
| Pump version: | A |
| Model: | A |
| Materials: | |
| Pump housing: | Cast iron EN-JL1040 ASTM A48-40 B |
| Impeller: | Cast iron EN-JL1030 ASTM A48-30 B |
| Material code: | A |
| Installation: | |
| Range of ambient temperature: | -20 .. 55 °C |
| Maximum operating pressure: | 16 bar |
| Flange standard: | DIN |
| Connect code: | F |
| Pipe connection: | DN 200 |
| Pump inlet: | DN 200 |
| Pump outlet: | DN 200 |
| Pressure stage: | PN 16 |
| Port-to-port length: | 900 mm |
| Flange size for motor: | FF500 |
| Liquid: | |
| Pumped liquid: | Water |
| Liquid temperature range: | -25 .. 120 °C |
| Liquid temperature during operation: | 20 °C |
| Density: | 998.2 kg/m ³ |
| Electrical data: | |
| Motor type: | SIEMENS |
| IE Efficiency class: | IE3 |
| Rated power - P2: | 75 kW |
| Power (P2) required by pump: | 75 kW |
| Mains frequency: | 50 Hz |
| Rated voltage: | 3 x 380-420D/660-725Y V |
| Rated current: | 140-130/80,0-74,0 A |
| Starting current: | 690-690 % |
| Cos phi - power factor: | 0,86 |
| Rated speed: | 1485 rpm |
| Efficiency: | IE3 95,0% |
| Motor efficiency at full load: | 95.0-95.0 % |
| Motor efficiency at 3/4 load: | 95.3-95.3 % |
| Motor efficiency at 1/2 load: | 95.0-95.0 % |
| Number of poles: | 4 |





Company name:

Created by:

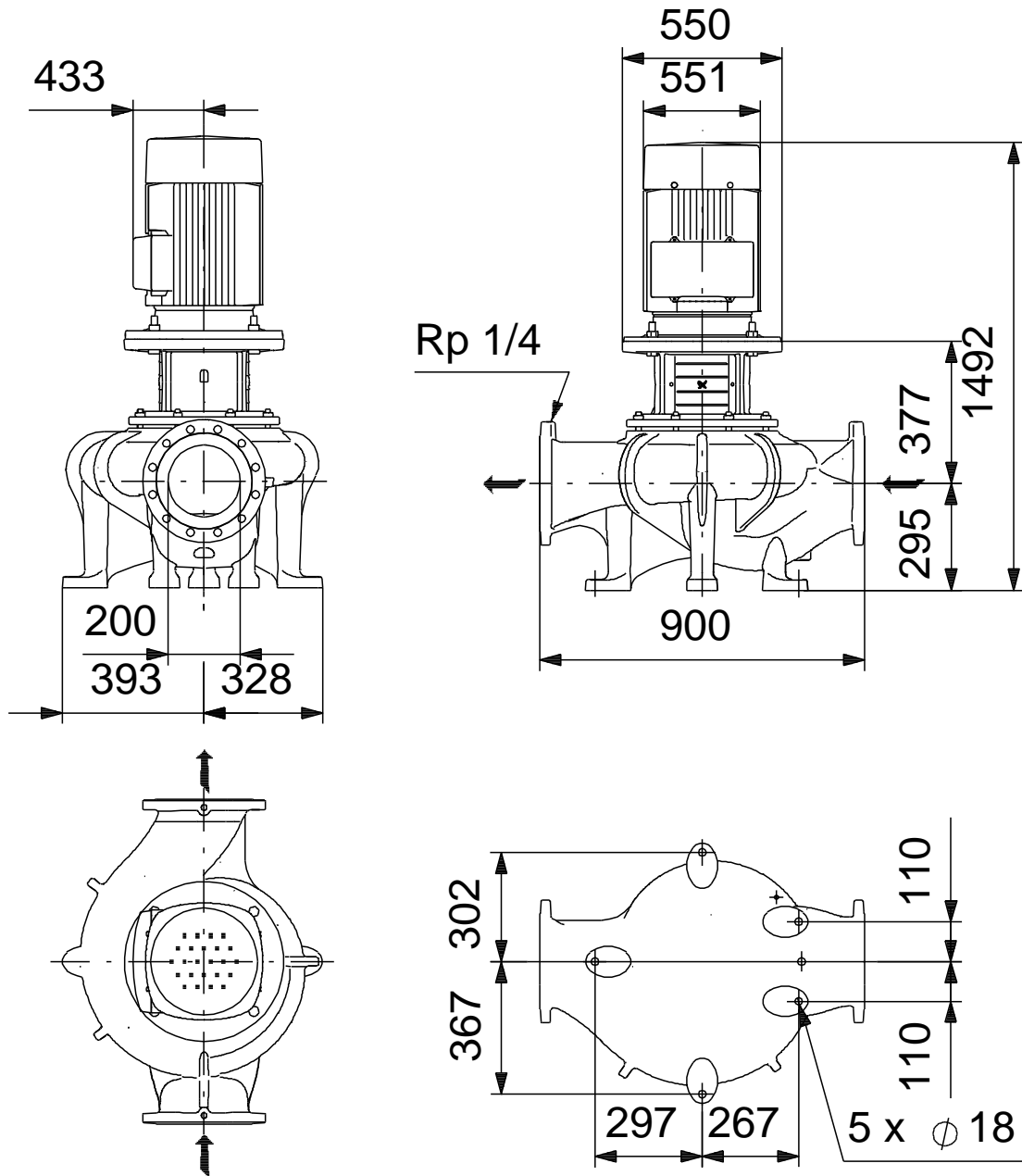
Phone:

Date:

06/09/2017

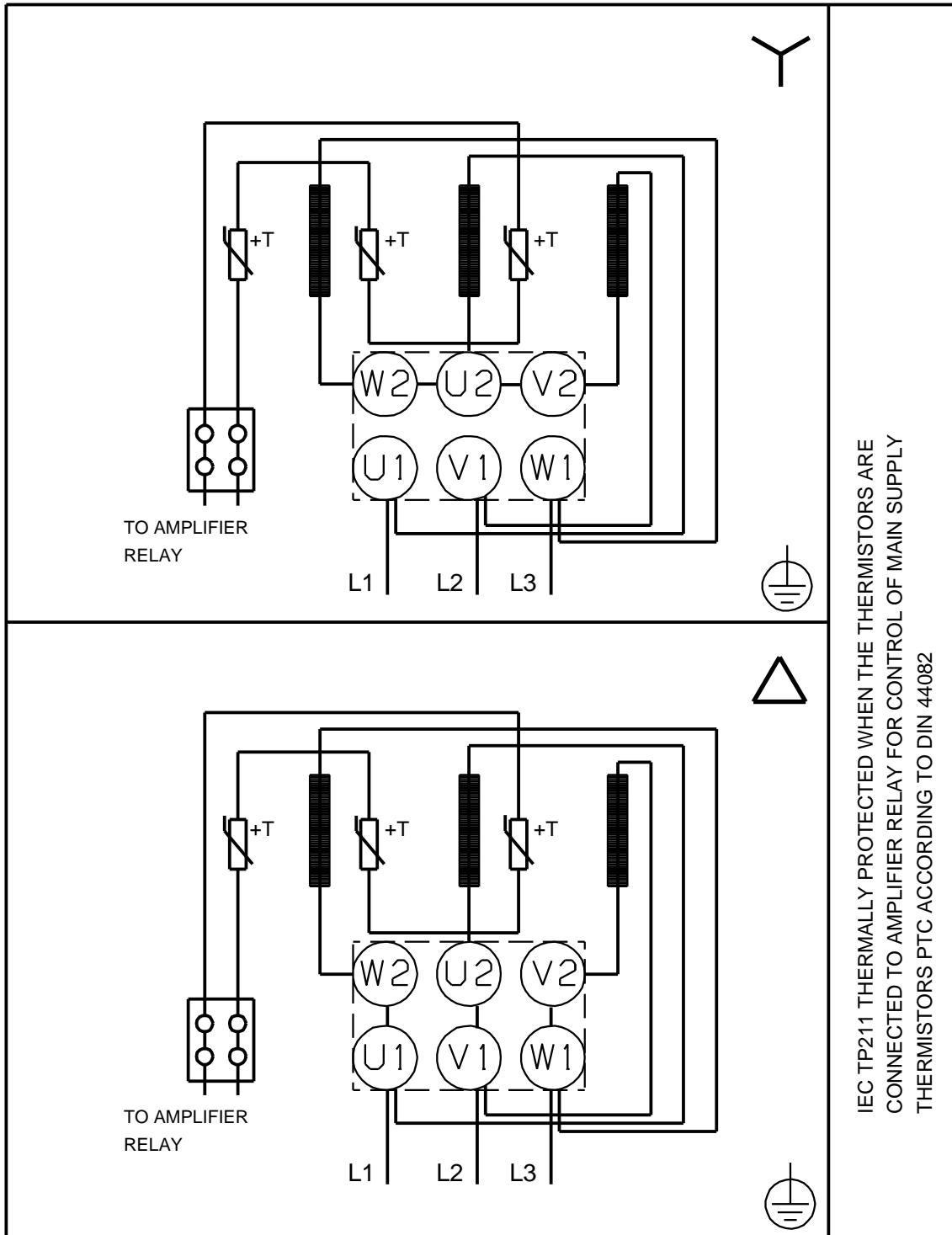
| Description | Value |
|---------------------------------|----------------------|
| Enclosure class (IEC 34-5): | 55 Dust/Jetting |
| Insulation class (IEC 85): | F |
| Motor protec: | PTC |
| Motor No: | 83V15240 |
| Others: | |
| Minimum efficiency index, MEI : | 0.70 |
| ErP status: | EuP Standalone/Prod. |
| Net weight: | 901 kg |
| Gross weight: | 939 kg |
| Shipping volume: | 3.13 m ³ |
| Danish: | VVS NO 38 1719.410 |

96306156 TP 200-410/4 50 Hz



Note! All units are in [mm] unless others are stated.
Disclaimer: This simplified dimensional drawing does not show all details.

96306156 TP 200-410/4 50 Hz



IEC TP211 THERMALLY PROTECTED WHEN THE THERMISTORS ARE
CONNECTED TO AMPLIFIER RELAY FOR CONTROL OF MAIN SUPPLY
THERMISTORS PTC ACCORDING TO DIN 44082

Note! All units are in [mm] unless others are stated.