
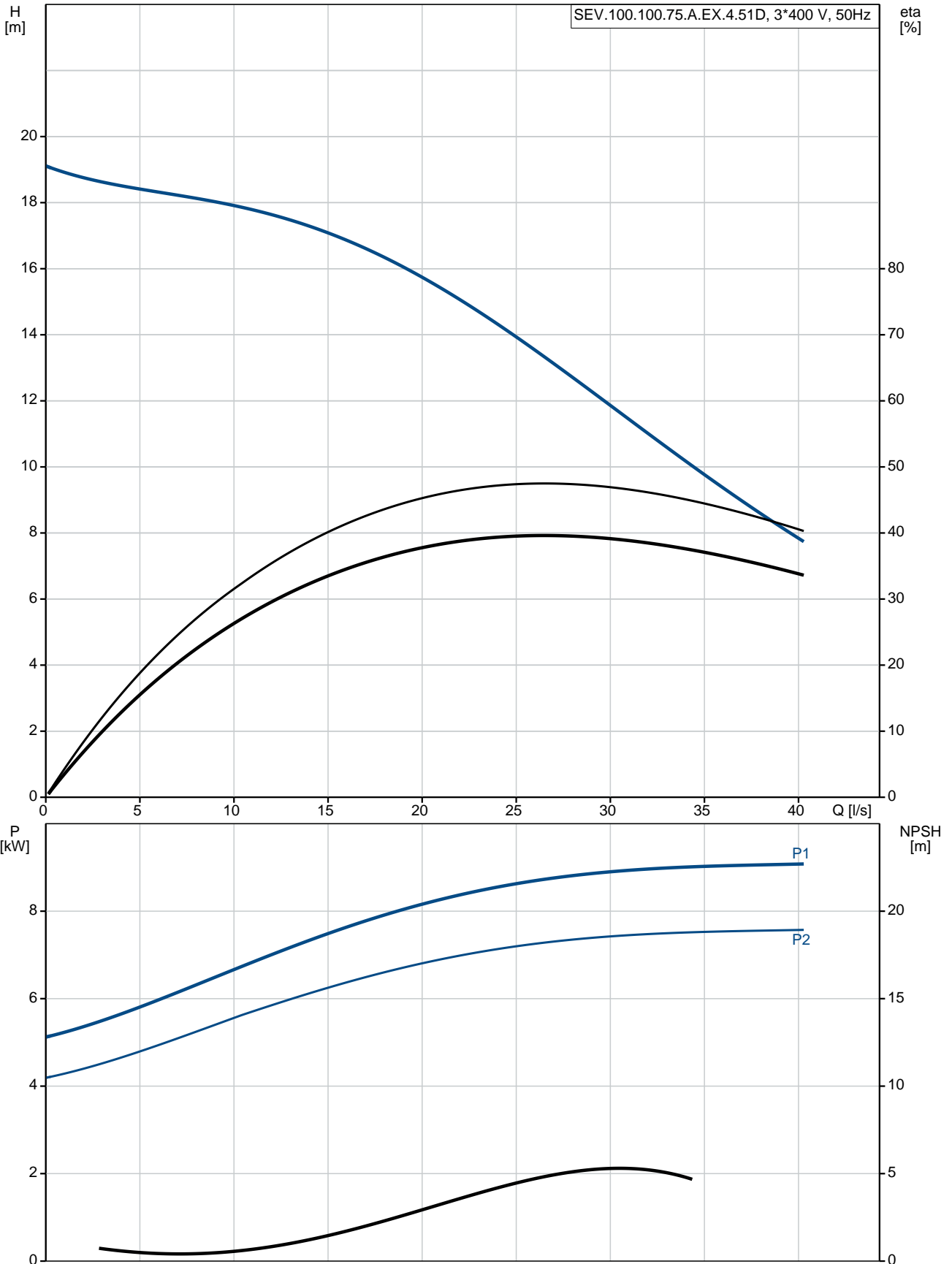


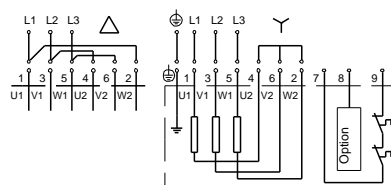
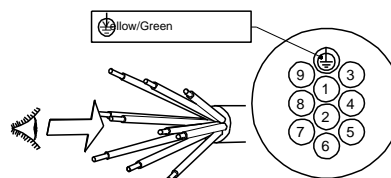
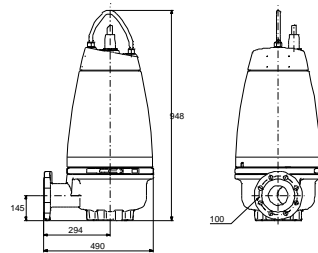
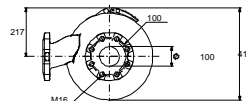
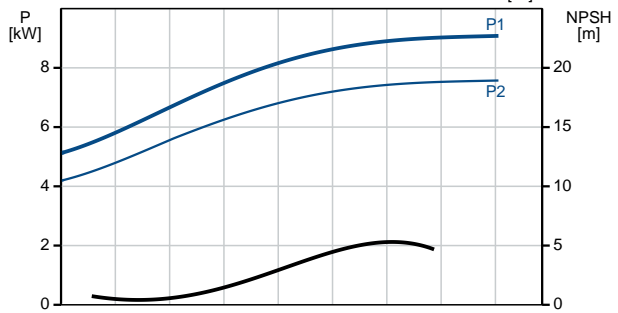
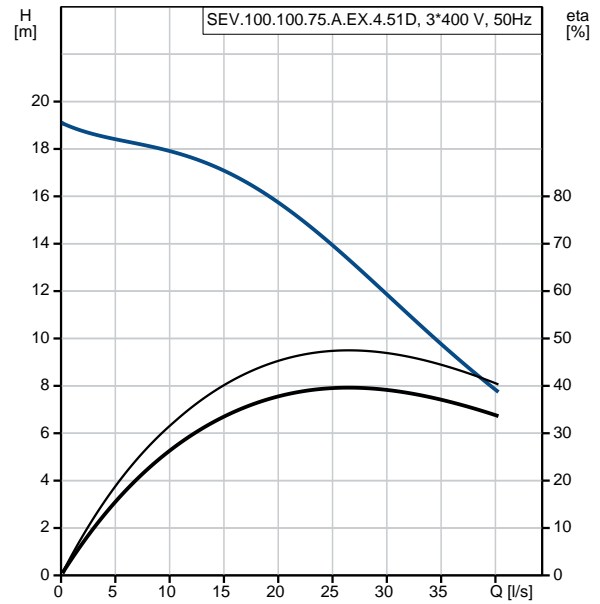
Qty.	Description																																																		
1	<p data-bbox="199 338 523 367"><b>SEV.100.100.75.A.EX.4.51D</b></p> <div data-bbox="225 383 560 663">  </div> <p data-bbox="592 640 1075 669">Note! Product picture may differ from actual product</p> <p data-bbox="199 674 469 703">Product No.: <a href="#">96177716</a></p> <p data-bbox="199 730 1458 786">Non-self-priming, single-stage, centrifugal pump designed for handling wastewater, process water and unscreened raw sewage.</p> <p data-bbox="199 790 1437 893">The pump is designed for intermittent and continuous operation. The liquidless and maintenance free cooling system ensures that the pump can be used for submerged or dry installation. The efficient SuperVortex impeller provides passage of long fibres and solids up to 100 mm and is suitable for wastewater with a dry matter content of up to 5 %.</p> <p data-bbox="199 904 1401 990">A unique stainless-steel clamp assembling system enables quick and easy disassembly of the pump from the motor unit for service and inspection. No special tools are required. Pipework connection is via a DIN flange. The pump is explosion-proof.</p> <p data-bbox="199 1021 316 1050"><b>Controls:</b></p> <table data-bbox="199 1052 820 1137"> <tr> <td>Moisture sensor:</td> <td>with moisture sensors</td> </tr> <tr> <td>Water-in-oil sensor:</td> <td>with water-in-oil sensor</td> </tr> <tr> <td>Temp. sensor:</td> <td>Y</td> </tr> </table> <p data-bbox="199 1169 288 1198"><b>Liquid:</b></p> <table data-bbox="199 1200 699 1261"> <tr> <td>Liquid temperature range:</td> <td>0 .. 40 °C</td> </tr> <tr> <td>Density:</td> <td>998.2 kg/m<sup>3</sup></td> </tr> </table> <p data-bbox="199 1290 328 1319"><b>Technical:</b></p> <table data-bbox="199 1321 810 1525"> <tr> <td>Type of impeller:</td> <td>SUPER VORTEX</td> </tr> <tr> <td>Maximum particle size:</td> <td>100 mm</td> </tr> <tr> <td>Primary shaft seal:</td> <td>SIC/SIC</td> </tr> <tr> <td>Secondary shaft seal:</td> <td>CARBON/CERAMICS</td> </tr> <tr> <td>Max. hydraulic efficiency:</td> <td>48 %</td> </tr> <tr> <td>Approvals on nameplate:</td> <td>EN12050-1</td> </tr> <tr> <td>Curve tolerance:</td> <td>ISO9906:2012 3B2</td> </tr> </table> <p data-bbox="199 1556 320 1585"><b>Materials:</b></p> <table data-bbox="199 1588 807 1648"> <tr> <td>Pump housing:</td> <td>EN 1561 EN-GJL-250</td> </tr> <tr> <td>Impeller:</td> <td>Cast iron</td> </tr> </table> <p data-bbox="199 1680 344 1709"><b>Installation:</b></p> <table data-bbox="199 1711 651 1883"> <tr> <td>Maximum ambient temperature:</td> <td>40 °C</td> </tr> <tr> <td>Maximum operating pressure:</td> <td>6 bar</td> </tr> <tr> <td>Flange standard:</td> <td>DIN</td> </tr> <tr> <td>Pump outlet:</td> <td>DN 100</td> </tr> <tr> <td>Pressure rating:</td> <td>PN 10</td> </tr> <tr> <td>Maximum installation depth:</td> <td>20 m</td> </tr> </table> <p data-bbox="199 1915 381 1944"><b>Electrical data:</b></p> <table data-bbox="199 1946 722 2092"> <tr> <td>Power input - P1:</td> <td>9 kW</td> </tr> <tr> <td>Rated power - P2:</td> <td>7.5 kW</td> </tr> <tr> <td>Mains frequency:</td> <td>50 Hz</td> </tr> <tr> <td>Rated voltage:</td> <td>3 x 380-415 V</td> </tr> <tr> <td>Voltage tolerance:</td> <td>+6/-10 %</td> </tr> </table>	Moisture sensor:	with moisture sensors	Water-in-oil sensor:	with water-in-oil sensor	Temp. sensor:	Y	Liquid temperature range:	0 .. 40 °C	Density:	998.2 kg/m <sup>3</sup>	Type of impeller:	SUPER VORTEX	Maximum particle size:	100 mm	Primary shaft seal:	SIC/SIC	Secondary shaft seal:	CARBON/CERAMICS	Max. hydraulic efficiency:	48 %	Approvals on nameplate:	EN12050-1	Curve tolerance:	ISO9906:2012 3B2	Pump housing:	EN 1561 EN-GJL-250	Impeller:	Cast iron	Maximum ambient temperature:	40 °C	Maximum operating pressure:	6 bar	Flange standard:	DIN	Pump outlet:	DN 100	Pressure rating:	PN 10	Maximum installation depth:	20 m	Power input - P1:	9 kW	Rated power - P2:	7.5 kW	Mains frequency:	50 Hz	Rated voltage:	3 x 380-415 V	Voltage tolerance:	+6/-10 %
Moisture sensor:	with moisture sensors																																																		
Water-in-oil sensor:	with water-in-oil sensor																																																		
Temp. sensor:	Y																																																		
Liquid temperature range:	0 .. 40 °C																																																		
Density:	998.2 kg/m <sup>3</sup>																																																		
Type of impeller:	SUPER VORTEX																																																		
Maximum particle size:	100 mm																																																		
Primary shaft seal:	SIC/SIC																																																		
Secondary shaft seal:	CARBON/CERAMICS																																																		
Max. hydraulic efficiency:	48 %																																																		
Approvals on nameplate:	EN12050-1																																																		
Curve tolerance:	ISO9906:2012 3B2																																																		
Pump housing:	EN 1561 EN-GJL-250																																																		
Impeller:	Cast iron																																																		
Maximum ambient temperature:	40 °C																																																		
Maximum operating pressure:	6 bar																																																		
Flange standard:	DIN																																																		
Pump outlet:	DN 100																																																		
Pressure rating:	PN 10																																																		
Maximum installation depth:	20 m																																																		
Power input - P1:	9 kW																																																		
Rated power - P2:	7.5 kW																																																		
Mains frequency:	50 Hz																																																		
Rated voltage:	3 x 380-415 V																																																		
Voltage tolerance:	+6/-10 %																																																		

Qty.	Description																																																												
	<table> <tr><td>Max starts per. hour:</td><td>20</td></tr> <tr><td>Rated current:</td><td>17.7-17.5 A</td></tr> <tr><td>Rated current at 3/4 load:</td><td>13.4 A</td></tr> <tr><td>Rated current at 1/2 load:</td><td>10.9 A</td></tr> <tr><td>Starting current:</td><td>107 A</td></tr> <tr><td>Rated current at no load:</td><td>7.4 A</td></tr> <tr><td>Cos phi - power factor:</td><td>0.79</td></tr> <tr><td>Cos phi - p.f. at no load:</td><td>0.12</td></tr> <tr><td>Cos phi - p.f. at 3/4 load:</td><td>0.72</td></tr> <tr><td>Cos phi - p.f. at 1/2 load:</td><td>0.61</td></tr> <tr><td>Rated speed:</td><td>1455 rpm</td></tr> <tr><td>Locked-rotor torque:</td><td>91 Nm</td></tr> <tr><td>Breakdown torque:</td><td>141 Nm</td></tr> <tr><td>Moment of inertia:</td><td>0.0692 kg m<sup>2</sup></td></tr> <tr><td>Motor efficiency at full load:</td><td>83.4 %</td></tr> <tr><td>Motor efficiency at 3/4 load:</td><td>83.5 %</td></tr> <tr><td>Motor efficiency at 1/2 load:</td><td>81.3 %</td></tr> <tr><td>Number of poles:</td><td>4</td></tr> <tr><td>Start. method:</td><td>star/delta</td></tr> <tr><td>Enclosure class (IEC 34-5):</td><td>IP68</td></tr> <tr><td>Insulation class (IEC 85):</td><td>F</td></tr> <tr><td>Explosion proof:</td><td>yes</td></tr> <tr><td>Ex-protection standard:</td><td>Ex cd mb IIB T4,T3</td></tr> <tr><td>Length of cable:</td><td>10 m</td></tr> <tr><td>Cable type:</td><td>LYNIFLEX</td></tr> <tr><td>Type of cable plug:</td><td>NO PLUG</td></tr> <tr><td colspan="2"><b>Others:</b></td></tr> <tr><td>Net weight:</td><td>190 kg</td></tr> <tr><td>Country of origin:</td><td>HU</td></tr> <tr><td>Custom tariff no.:</td><td>84137021</td></tr> </table>	Max starts per. hour:	20	Rated current:	17.7-17.5 A	Rated current at 3/4 load:	13.4 A	Rated current at 1/2 load:	10.9 A	Starting current:	107 A	Rated current at no load:	7.4 A	Cos phi - power factor:	0.79	Cos phi - p.f. at no load:	0.12	Cos phi - p.f. at 3/4 load:	0.72	Cos phi - p.f. at 1/2 load:	0.61	Rated speed:	1455 rpm	Locked-rotor torque:	91 Nm	Breakdown torque:	141 Nm	Moment of inertia:	0.0692 kg m <sup>2</sup>	Motor efficiency at full load:	83.4 %	Motor efficiency at 3/4 load:	83.5 %	Motor efficiency at 1/2 load:	81.3 %	Number of poles:	4	Start. method:	star/delta	Enclosure class (IEC 34-5):	IP68	Insulation class (IEC 85):	F	Explosion proof:	yes	Ex-protection standard:	Ex cd mb IIB T4,T3	Length of cable:	10 m	Cable type:	LYNIFLEX	Type of cable plug:	NO PLUG	<b>Others:</b>		Net weight:	190 kg	Country of origin:	HU	Custom tariff no.:	84137021
Max starts per. hour:	20																																																												
Rated current:	17.7-17.5 A																																																												
Rated current at 3/4 load:	13.4 A																																																												
Rated current at 1/2 load:	10.9 A																																																												
Starting current:	107 A																																																												
Rated current at no load:	7.4 A																																																												
Cos phi - power factor:	0.79																																																												
Cos phi - p.f. at no load:	0.12																																																												
Cos phi - p.f. at 3/4 load:	0.72																																																												
Cos phi - p.f. at 1/2 load:	0.61																																																												
Rated speed:	1455 rpm																																																												
Locked-rotor torque:	91 Nm																																																												
Breakdown torque:	141 Nm																																																												
Moment of inertia:	0.0692 kg m <sup>2</sup>																																																												
Motor efficiency at full load:	83.4 %																																																												
Motor efficiency at 3/4 load:	83.5 %																																																												
Motor efficiency at 1/2 load:	81.3 %																																																												
Number of poles:	4																																																												
Start. method:	star/delta																																																												
Enclosure class (IEC 34-5):	IP68																																																												
Insulation class (IEC 85):	F																																																												
Explosion proof:	yes																																																												
Ex-protection standard:	Ex cd mb IIB T4,T3																																																												
Length of cable:	10 m																																																												
Cable type:	LYNIFLEX																																																												
Type of cable plug:	NO PLUG																																																												
<b>Others:</b>																																																													
Net weight:	190 kg																																																												
Country of origin:	HU																																																												
Custom tariff no.:	84137021																																																												

## 96177716 SEV.100.100.75.A.EX.4.51D 50 Hz



Description	Value
<b>General information:</b>	
Product name:	SEV.100.100.75.A.EX.4.51D
Product No:	96177716
EAN number:	5700830443620
	5700830443620
Price:	6.266,00 GBP
<b>Technical:</b>	
Max flow:	40.3 l/s
Head max:	19.1 m
Type of impeller:	SUPER VORTEX
Maximum particle size:	100 mm
Primary shaft seal:	SIC/SIC
Secondary shaft seal:	CARBON/CERAMICS
Max. hydraulic efficiency:	48 %
Approvals on nameplate:	EN12050-1
Curve tolerance:	ISO9906:2012 3B2
Cooling jacket:	with cooling jacket
<b>Materials:</b>	
Pump housing:	EN 1561 EN-GJL-250
Impeller:	Cast iron
<b>Installation:</b>	
Maximum ambient temperature:	40 °C
Maximum operating pressure:	6 bar
Flange standard:	DIN
Pump outlet:	DN 100
Pressure rating:	PN 10
Maximum installation depth:	20 m
Inst dry/wet:	DRY/SUBMERGED
Installation:	horizontal or vertical
<b>Liquid:</b>	
Liquid temperature range:	0 .. 40 °C
Density:	998.2 kg/m <sup>3</sup>
<b>Electrical data:</b>	
Power input - P1:	9 kW
Rated power - P2:	7.5 kW
Mains frequency:	50 Hz
Rated voltage:	3 x 380-415 V
Voltage tolerance:	+6/-10 %
Max starts per. hour:	20
Rated current:	17.7-17.5 A
Rated current at 3/4 load:	13.4 A
Rated current at 1/2 load:	10.9 A
Starting current:	107 A
Rated current at no load:	7.4 A
Cos phi - power factor:	0.79
Cos phi - p.f. at no load:	0.12
Cos phi - p.f. at 3/4 load:	0.72
Cos phi - p.f. at 1/2 load:	0.61
Rated speed:	1455 rpm
Locked-rotor torque:	91 Nm
Breakdown torque:	141 Nm
Moment of inertia:	0.0692 kg m <sup>2</sup>
Motor efficiency at full load:	83.4 %
Motor efficiency at 3/4 load:	83.5 %
Motor efficiency at 1/2 load:	81.3 %
Number of poles:	4
Start. method:	star/delta
Enclosure class (IEC 34-5):	IP68





Company name:

Created by:

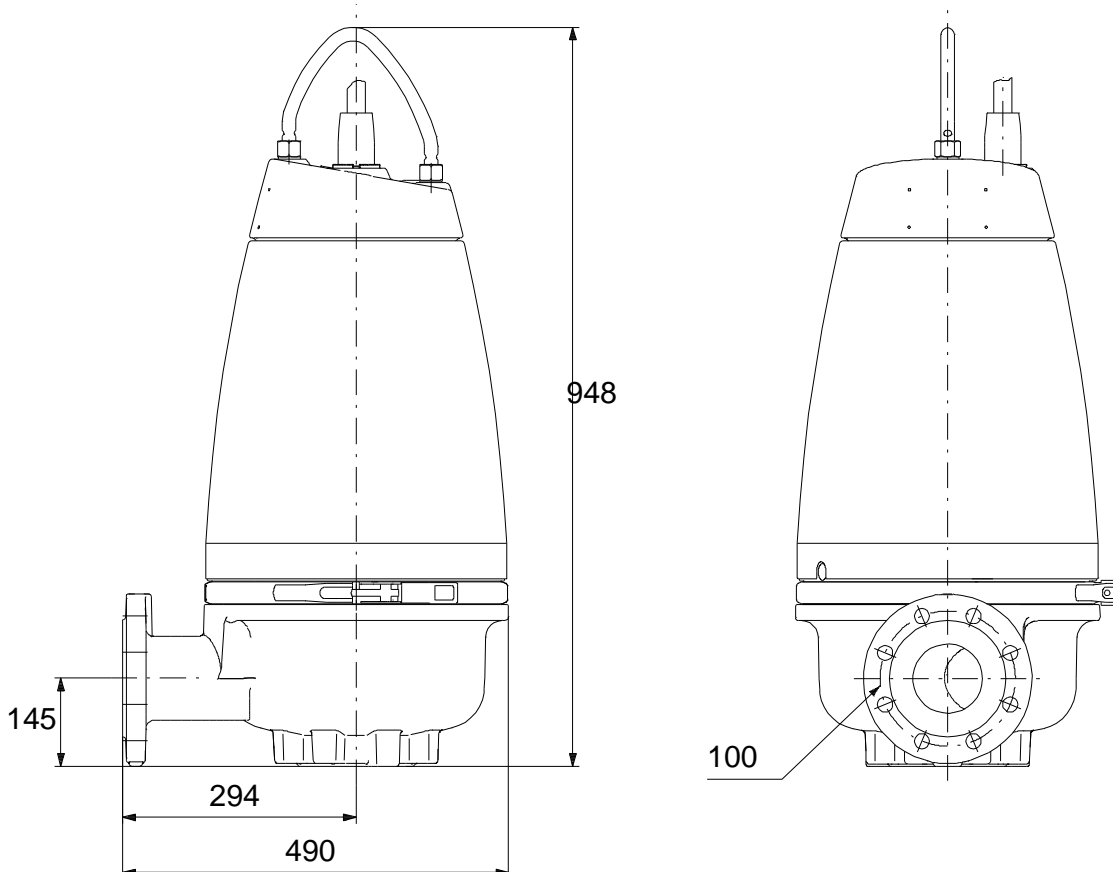
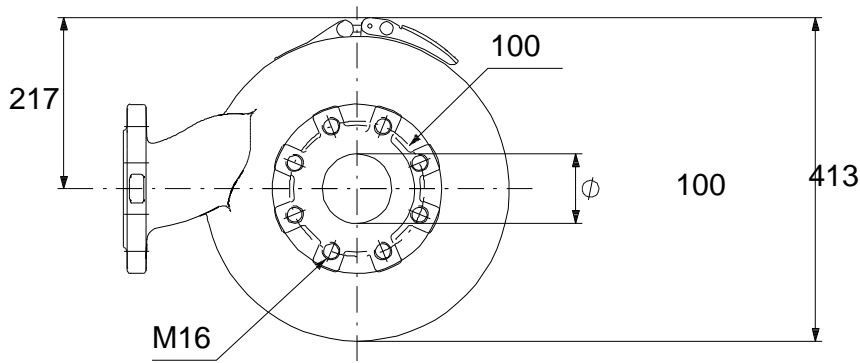
Phone:

Date:

28/01/2020

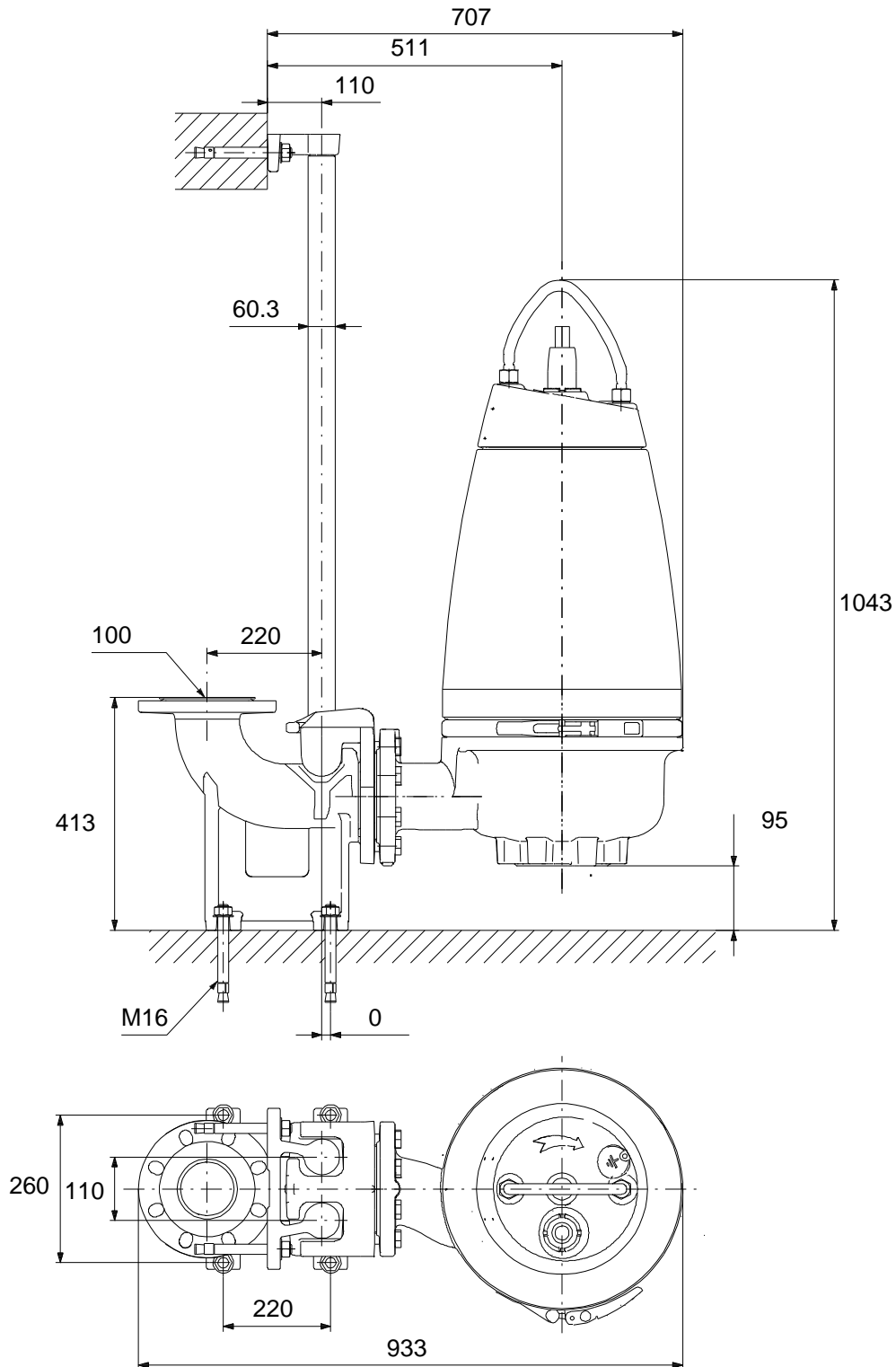
Description	Value
Insulation class (IEC 85):	F
Explosion proof:	yes
Ex-protection standard:	Ex cd mb IIB T4,T3
Motor protec:	THERMAL SWITCH
Thermal protec:	internal
Length of cable:	10 m
Cable type:	LYNIFLEX
Type of cable plug:	NO PLUG
<b>Controls:</b>	
Control box:	not included
Moisture sensor:	with moisture sensors
Water-in-oil sensor:	with water-in-oil sensor
Temp. sensor:	Y
<b>Others:</b>	
Net weight:	190 kg
Country of origin:	HU
Custom tariff no.:	84137021

## 96177716 SEV.100.100.75.A.EX.4.51D 50 Hz



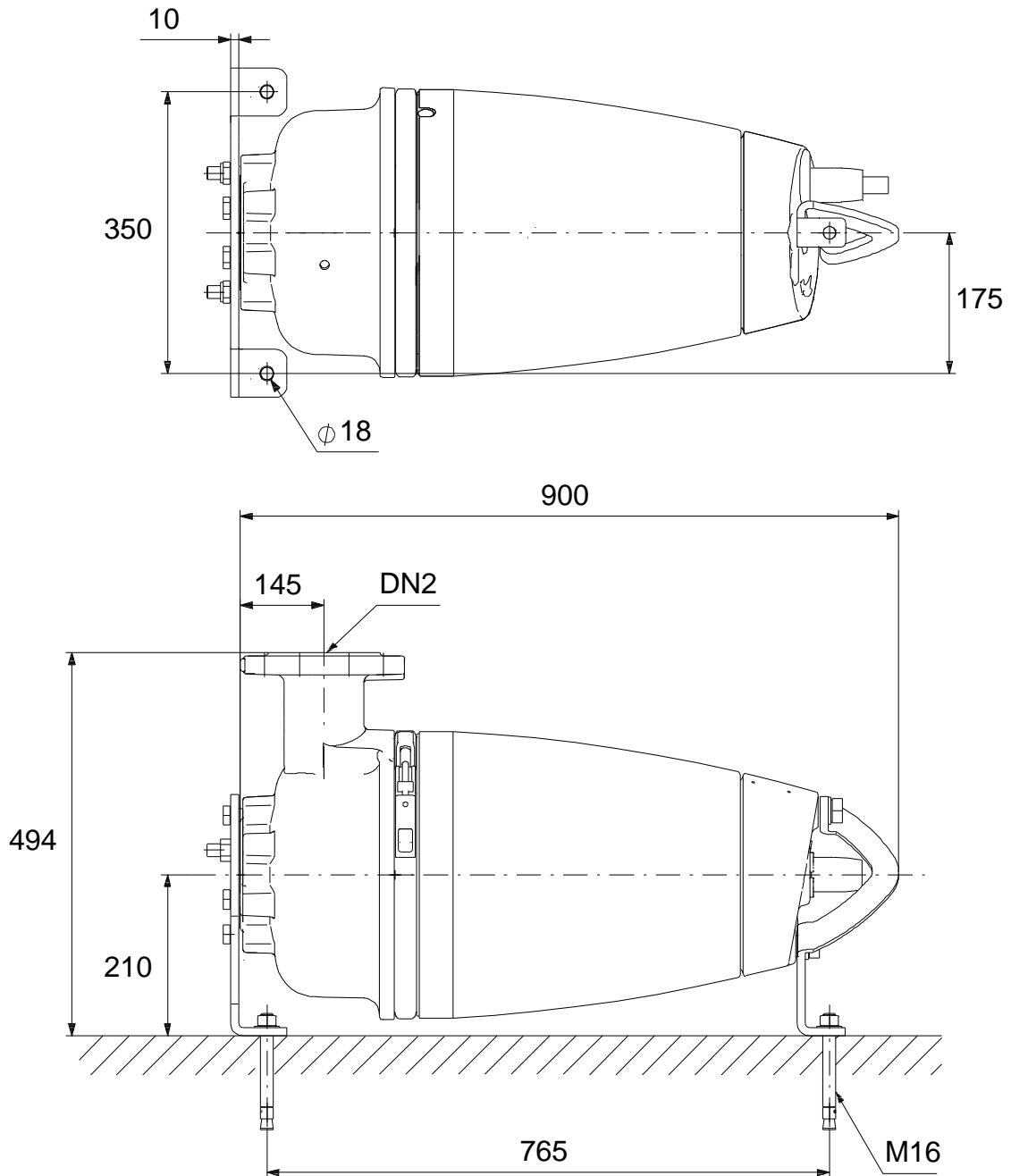
Note! All units are in [mm] unless others are stated.  
Disclaimer: This simplified dimensional drawing does not show all details.

## 96177716 SEV.100.100.75.A.EX.4.51D 50 Hz



Note! All units are in [mm] unless others are stated.  
Disclaimer: This simplified dimensional drawing does not show all details.

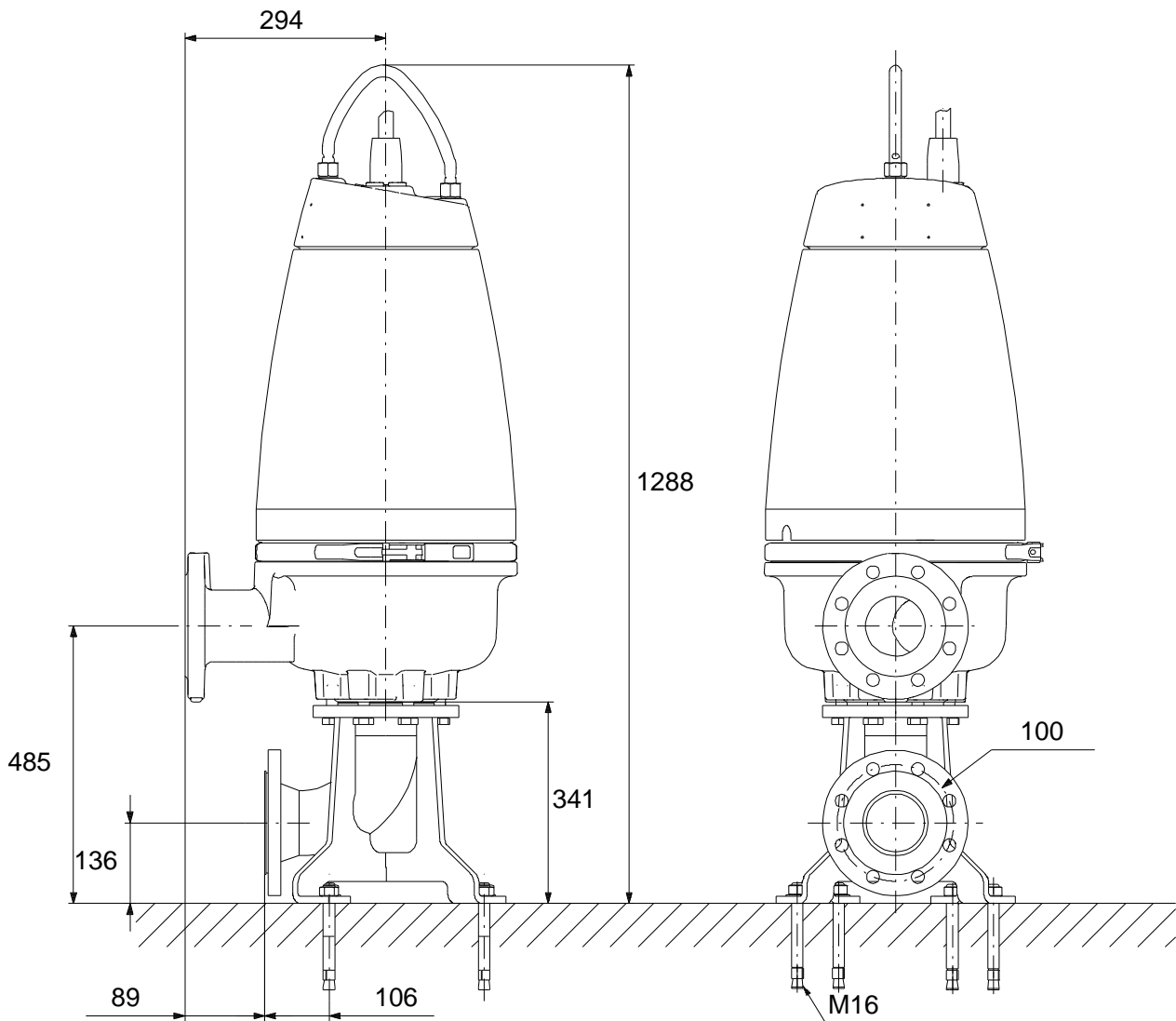
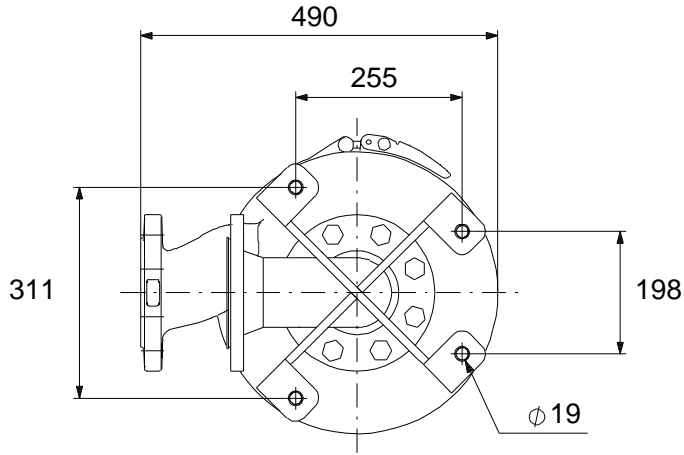
## 96177716 SEV.100.100.75.A.EX.4.51D 50 Hz



Note! All units are in [mm] unless others are stated.  
Disclaimer: This simplified dimensional drawing does not show all details.

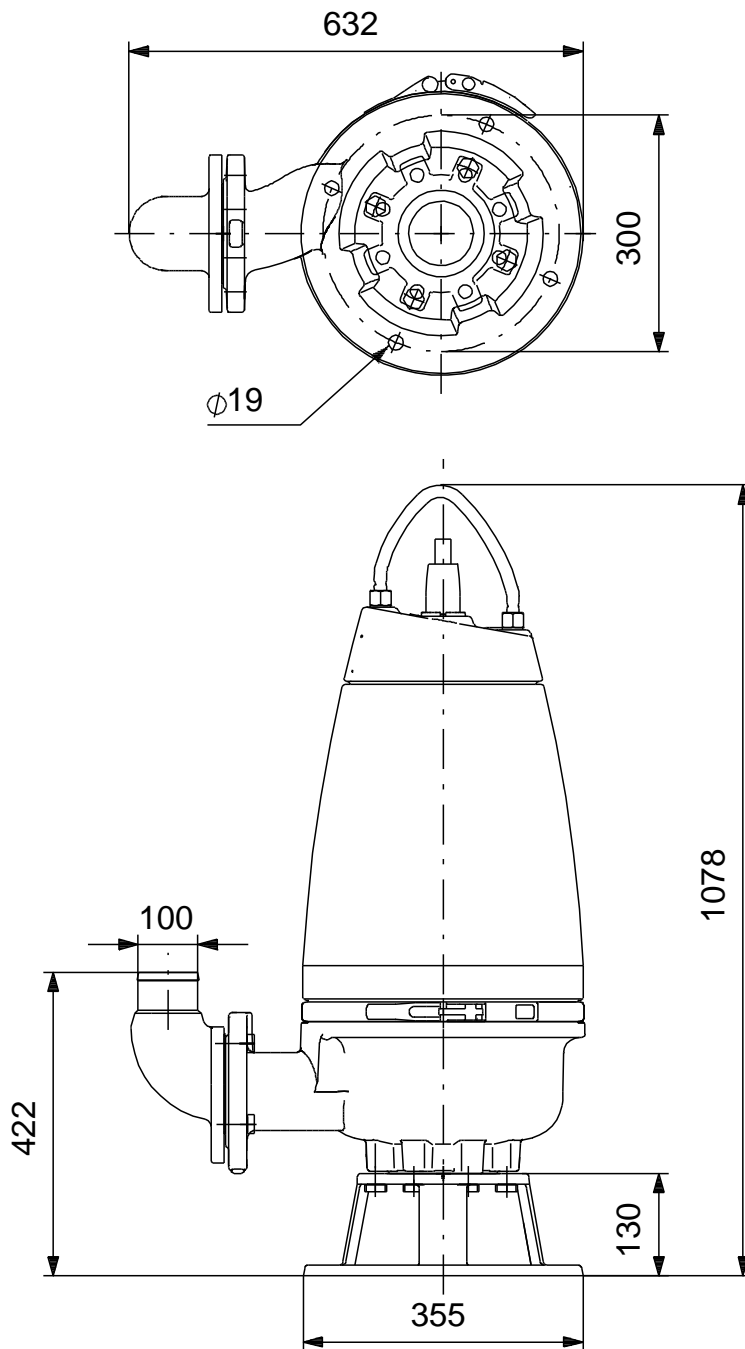


## 96177716 SEV.100.100.75.A.EX.4.51D 50 Hz



Note! All units are in [mm] unless others are stated.  
Disclaimer: This simplified dimensional drawing does not show all details.

## 96177716 SEV.100.100.75.A.EX.4.51D 50 Hz



Note! All units are in [mm] unless others are stated.  
Disclaimer: This simplified dimensional drawing does not show all details.