

**Qty. Description**

1 SE1.100.150.55.A.EX.4.51D.B



Note! Product picture may differ from actual product

Product No.: [96177695](#)

Non-self-priming, single-stage, centrifugal pump designed for handling wastewater, process water and unscreened raw sewage.

The pump is designed for intermittent and continuous operation. The liquidless and maintenance free cooling system ensures that the pump can be used for submerged or dry installation. The revolutionary S-tube® impeller provides free spherical passage of solids up to 100 mm and is suitable for wastewater with a dry matter content of up to 3 %.

A unique stainless-steel clamp assembling system enables quick and easy disassembly of the pump from the motor unit for service and inspection. No special tools are required. Pipework connection is via a DIN flange. The pump is explosion-proof.

**Controls:**

Moisture sensor: with moisture sensors  
 Water-in-oil sensor: with water-in-oil sensor  
 Temp. sensor: Y

**Liquid:**

Pumped liquid: Any Newtonian liquid  
 Liquid temperature range: 0 .. 40 °C  
 Density: 998.2 kg/m<sup>3</sup>

**Technical:**

Type of impeller: S-TUBE  
 Maximum particle size: 100 mm  
 Primary shaft seal: SIC/SIC  
 Secondary shaft seal: CARBON/CERAMICS  
 Max. hydraulic efficiency: 72 %  
 Approvals on nameplate: EN12050-1  
 Curve tolerance: ISO9906:2012 3B2

**Materials:**

Pump housing: EN 1561 EN-GJL-250  
 Impeller: Cast iron

**Installation:**

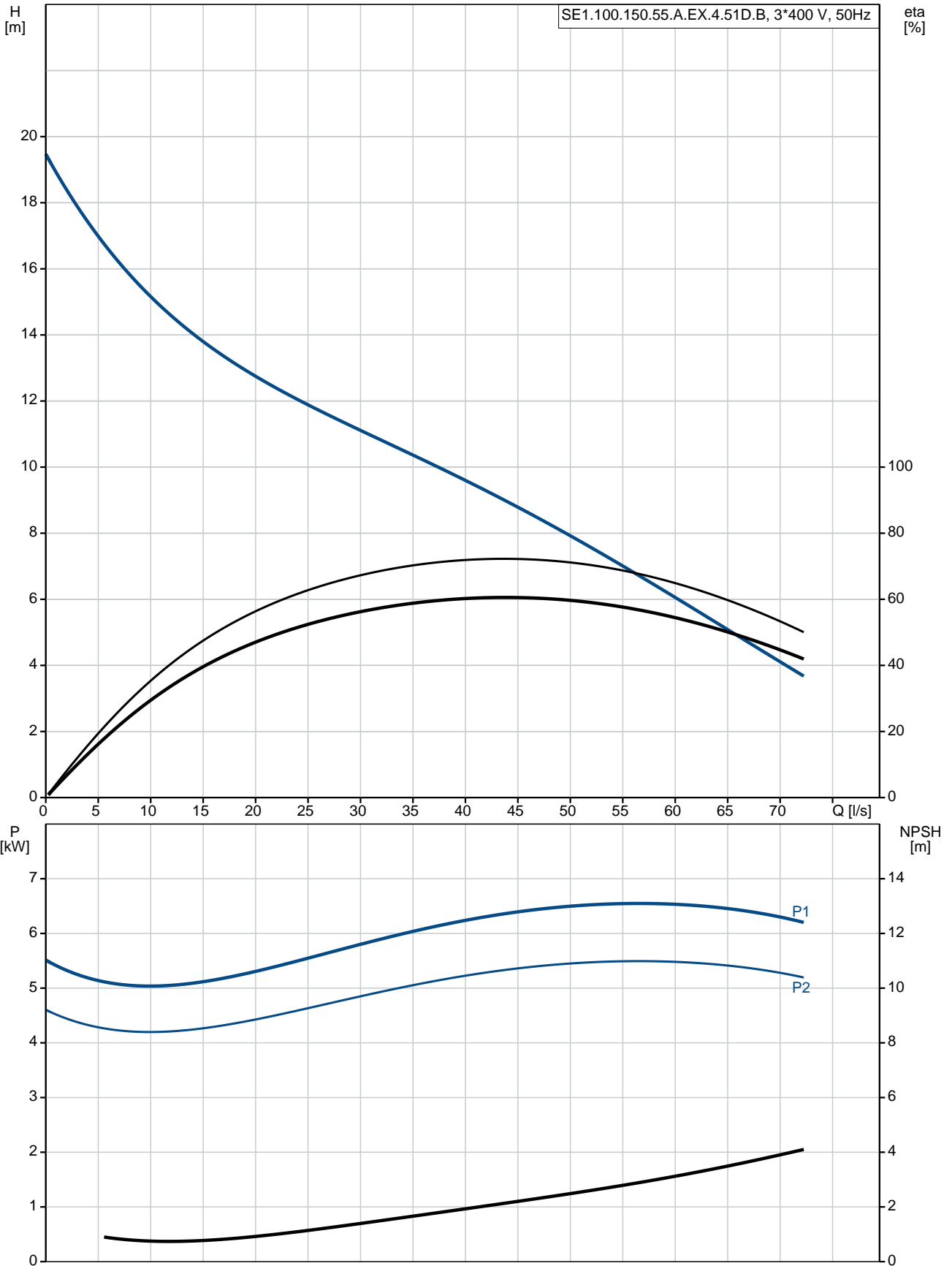
Maximum operating pressure: 6 bar  
 Flange standard: DIN  
 Pump outlet: DN 150  
 Pressure rating: PN 10  
 Maximum installation depth: 20 m

**Electrical data:**

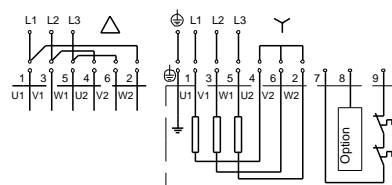
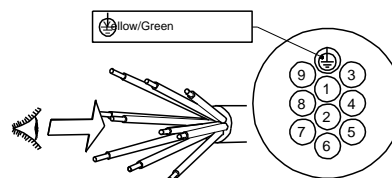
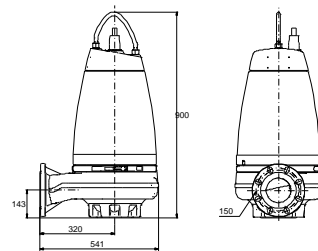
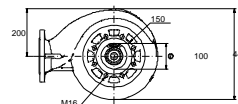
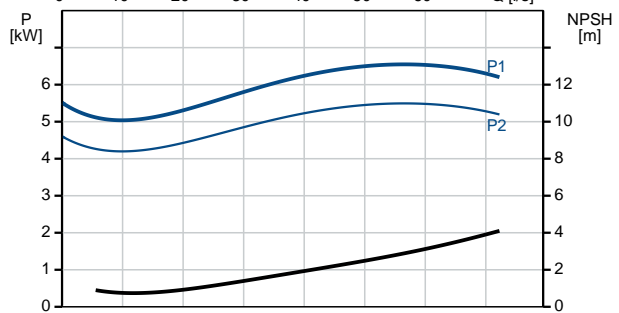
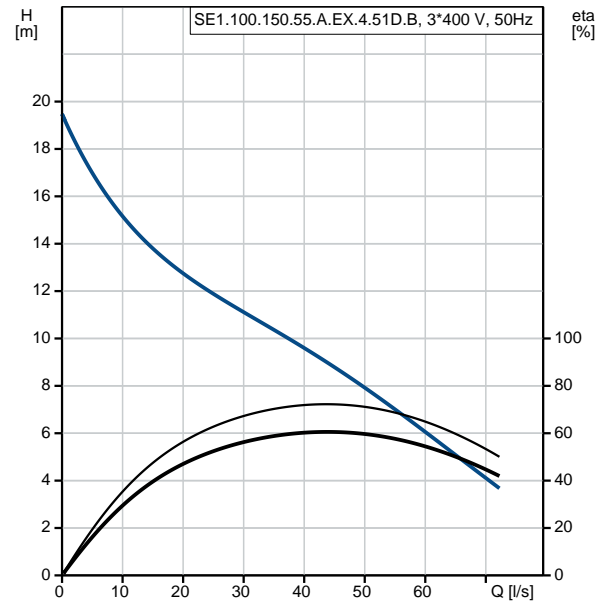
Power input - P1: 6.5 kW  
 Rated power - P2: 5.5 kW  
 Mains frequency: 50 Hz  
 Rated voltage: 3 x 380-415 V  
 Voltage tolerance: +6/-10 %

Qty.	Description																																																												
	<table> <tr><td>Max starts per. hour:</td><td>20</td></tr> <tr><td>Rated current:</td><td>13.3-13.8 A</td></tr> <tr><td>Rated current at 3/4 load:</td><td>11 A</td></tr> <tr><td>Rated current at 1/2 load:</td><td>9.5 A</td></tr> <tr><td>Starting current:</td><td>87 A</td></tr> <tr><td>Rated current at no load:</td><td>8.3 A</td></tr> <tr><td>Cos phi - power factor:</td><td>0.74</td></tr> <tr><td>Cos phi - p.f. at no load:</td><td>0.1</td></tr> <tr><td>Cos phi - p.f. at 3/4 load:</td><td>0.65</td></tr> <tr><td>Cos phi - p.f. at 1/2 load:</td><td>0.52</td></tr> <tr><td>Rated speed:</td><td>1455 rpm</td></tr> <tr><td>Locked-rotor torque:</td><td>98 Nm</td></tr> <tr><td>Breakdown torque:</td><td>122 Nm</td></tr> <tr><td>Moment of inertia:</td><td>0.1725 kg m<sup>2</sup></td></tr> <tr><td>Motor efficiency at full load:</td><td>83.9 %</td></tr> <tr><td>Motor efficiency at 3/4 load:</td><td>83.3 %</td></tr> <tr><td>Motor efficiency at 1/2 load:</td><td>81 %</td></tr> <tr><td>Number of poles:</td><td>4</td></tr> <tr><td>Start. method:</td><td>star/delta</td></tr> <tr><td>Enclosure class (IEC 34-5):</td><td>IP68</td></tr> <tr><td>Insulation class (IEC 85):</td><td>F</td></tr> <tr><td>Explosion proof:</td><td>yes</td></tr> <tr><td>Ex-protection standard:</td><td>Ex cd mb IIB T4,T3</td></tr> <tr><td>Length of cable:</td><td>10 m</td></tr> <tr><td>Cable type:</td><td>LYNIFLEX</td></tr> <tr><td>Type of cable plug:</td><td>NO PLUG</td></tr> <tr><td colspan="2"><b>Others:</b></td></tr> <tr><td>Net weight:</td><td>175 kg</td></tr> <tr><td>Country of origin:</td><td>HU</td></tr> <tr><td>Custom tariff no.:</td><td>84137021</td></tr> </table>	Max starts per. hour:	20	Rated current:	13.3-13.8 A	Rated current at 3/4 load:	11 A	Rated current at 1/2 load:	9.5 A	Starting current:	87 A	Rated current at no load:	8.3 A	Cos phi - power factor:	0.74	Cos phi - p.f. at no load:	0.1	Cos phi - p.f. at 3/4 load:	0.65	Cos phi - p.f. at 1/2 load:	0.52	Rated speed:	1455 rpm	Locked-rotor torque:	98 Nm	Breakdown torque:	122 Nm	Moment of inertia:	0.1725 kg m <sup>2</sup>	Motor efficiency at full load:	83.9 %	Motor efficiency at 3/4 load:	83.3 %	Motor efficiency at 1/2 load:	81 %	Number of poles:	4	Start. method:	star/delta	Enclosure class (IEC 34-5):	IP68	Insulation class (IEC 85):	F	Explosion proof:	yes	Ex-protection standard:	Ex cd mb IIB T4,T3	Length of cable:	10 m	Cable type:	LYNIFLEX	Type of cable plug:	NO PLUG	<b>Others:</b>		Net weight:	175 kg	Country of origin:	HU	Custom tariff no.:	84137021
Max starts per. hour:	20																																																												
Rated current:	13.3-13.8 A																																																												
Rated current at 3/4 load:	11 A																																																												
Rated current at 1/2 load:	9.5 A																																																												
Starting current:	87 A																																																												
Rated current at no load:	8.3 A																																																												
Cos phi - power factor:	0.74																																																												
Cos phi - p.f. at no load:	0.1																																																												
Cos phi - p.f. at 3/4 load:	0.65																																																												
Cos phi - p.f. at 1/2 load:	0.52																																																												
Rated speed:	1455 rpm																																																												
Locked-rotor torque:	98 Nm																																																												
Breakdown torque:	122 Nm																																																												
Moment of inertia:	0.1725 kg m <sup>2</sup>																																																												
Motor efficiency at full load:	83.9 %																																																												
Motor efficiency at 3/4 load:	83.3 %																																																												
Motor efficiency at 1/2 load:	81 %																																																												
Number of poles:	4																																																												
Start. method:	star/delta																																																												
Enclosure class (IEC 34-5):	IP68																																																												
Insulation class (IEC 85):	F																																																												
Explosion proof:	yes																																																												
Ex-protection standard:	Ex cd mb IIB T4,T3																																																												
Length of cable:	10 m																																																												
Cable type:	LYNIFLEX																																																												
Type of cable plug:	NO PLUG																																																												
<b>Others:</b>																																																													
Net weight:	175 kg																																																												
Country of origin:	HU																																																												
Custom tariff no.:	84137021																																																												

## 96177695 SE1.100.150.55.A.EX.4.51D.B 50 Hz



Description	Value
<b>General information:</b>	
Product name:	SE1.100.150.55.A.EX.4.51D.B
Product No:	96177695
EAN number:	5700830443415
	5700830443415
Price:	6.465,00 GBP
<b>Technical:</b>	
Max flow:	72.2 l/s
Head max:	18.2 m
Type of impeller:	S-TUBE
Maximum particle size:	100 mm
Primary shaft seal:	SIC/SIC
Secondary shaft seal:	CARBON/CERAMICS
Max. hydraulic efficiency:	72 %
Approvals on nameplate:	EN12050-1
Curve tolerance:	ISO9906:2012 3B2
Cooling jacket:	with cooling jacket
<b>Materials:</b>	
Pump housing:	EN 1561 EN-GJL-250
Impeller:	Cast iron
<b>Installation:</b>	
Maximum operating pressure:	6 bar
Flange standard:	DIN
Pump outlet:	DN 150
Pressure rating:	PN 10
Maximum installation depth:	20 m
Inst dry/wet:	DRY/SUBMERGED
Installation:	horizontal or vertical
<b>Liquid:</b>	
Pumped liquid:	Any Newtonian liquid
Liquid temperature range:	0 .. 40 °C
Density:	998.2 kg/m <sup>3</sup>
<b>Electrical data:</b>	
Power input - P1:	6.5 kW
Rated power - P2:	5.5 kW
Mains frequency:	50 Hz
Rated voltage:	3 x 380-415 V
Voltage tolerance:	+6/-10 %
Max starts per. hour:	20
Rated current:	13.3-13.8 A
Rated current at 3/4 load:	11 A
Rated current at 1/2 load:	9.5 A
Starting current:	87 A
Rated current at no load:	8.3 A
Cos phi - power factor:	0.74
Cos phi - p.f. at no load:	0.1
Cos phi - p.f. at 3/4 load:	0.65
Cos phi - p.f. at 1/2 load:	0.52
Rated speed:	1455 rpm
Locked-rotor torque:	98 Nm
Breakdown torque:	122 Nm
Moment of inertia:	0.1725 kg m <sup>2</sup>
Motor efficiency at full load:	83.9 %
Motor efficiency at 3/4 load:	83.3 %
Motor efficiency at 1/2 load:	81 %
Number of poles:	4
Start. method:	star/delta
Enclosure class (IEC 34-5):	IP68





Company name:

Created by:

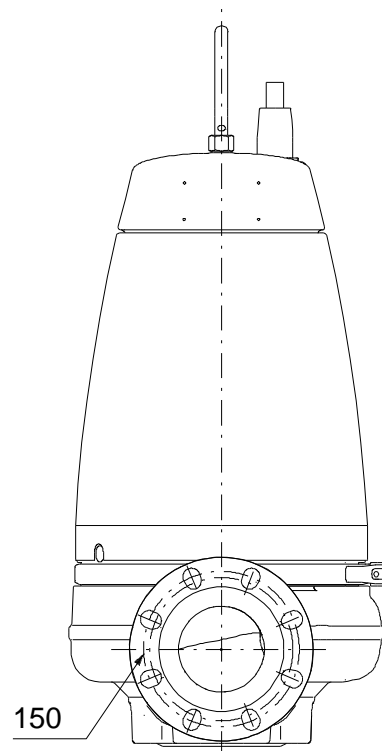
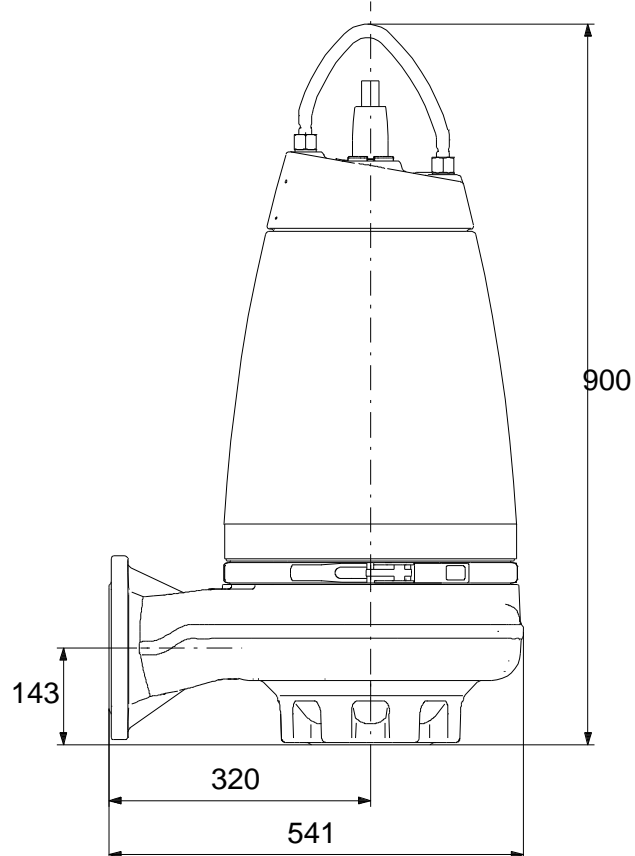
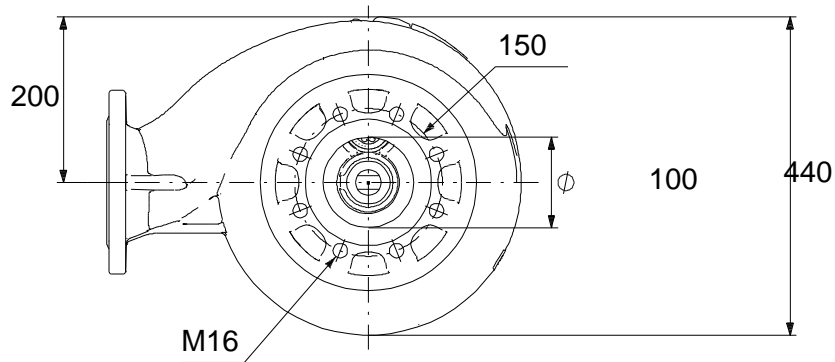
Phone:

Date:

23/01/2020

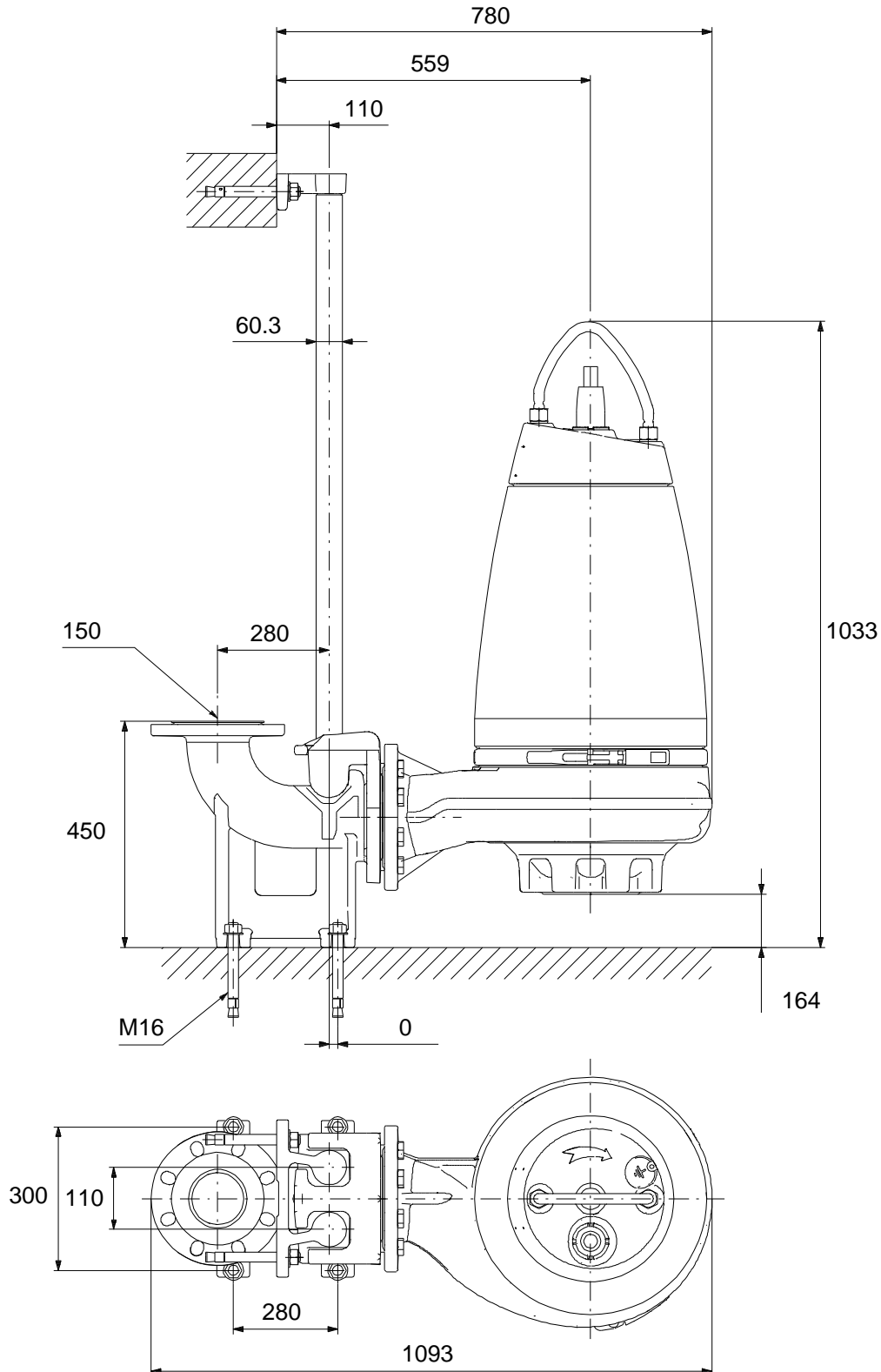
Description	Value
Insulation class (IEC 85):	F
Explosion proof:	yes
Ex-protection standard:	Ex cd mb IIB T4,T3
Motor protec:	THERMAL SWITCH
Thermal protec:	internal
Length of cable:	10 m
Cable type:	LYNIFLEX
Type of cable plug:	NO PLUG
<b>Controls:</b>	
Control box:	not included
Moisture sensor:	with moisture sensors
Water-in-oil sensor:	with water-in-oil sensor
Temp. sensor:	Y
<b>Others:</b>	
Net weight:	175 kg
Country of origin:	HU
Custom tariff no.:	84137021

## 96177695 SE1.100.150.55.A.EX.4.51D.B 50 Hz



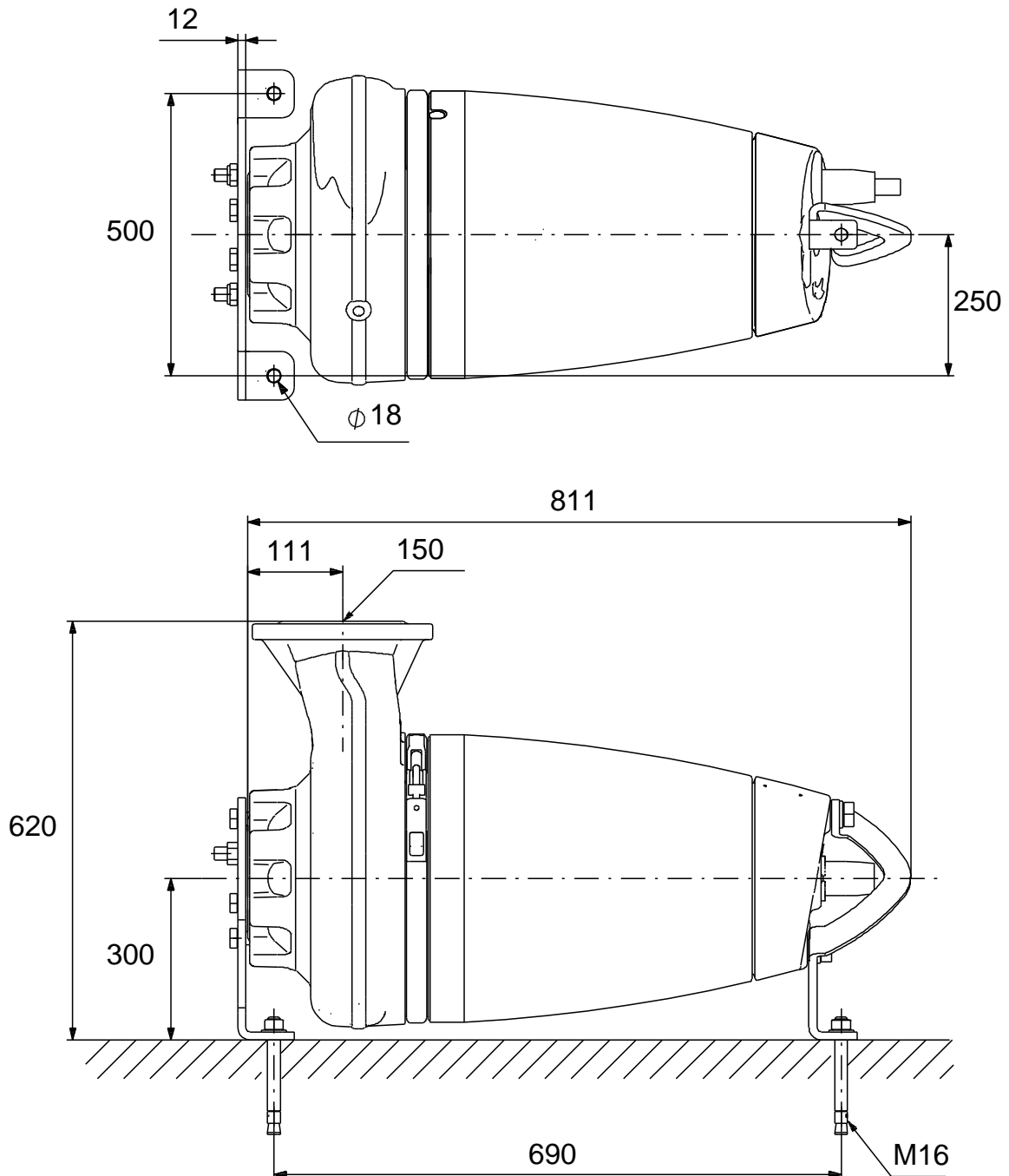
Note! All units are in [mm] unless others are stated.  
Disclaimer: This simplified dimensional drawing does not show all details.

## 96177695 SE1.100.150.55.A.EX.4.51D.B 50 Hz



Note! All units are in [mm] unless others are stated.  
Disclaimer: This simplified dimensional drawing does not show all details.

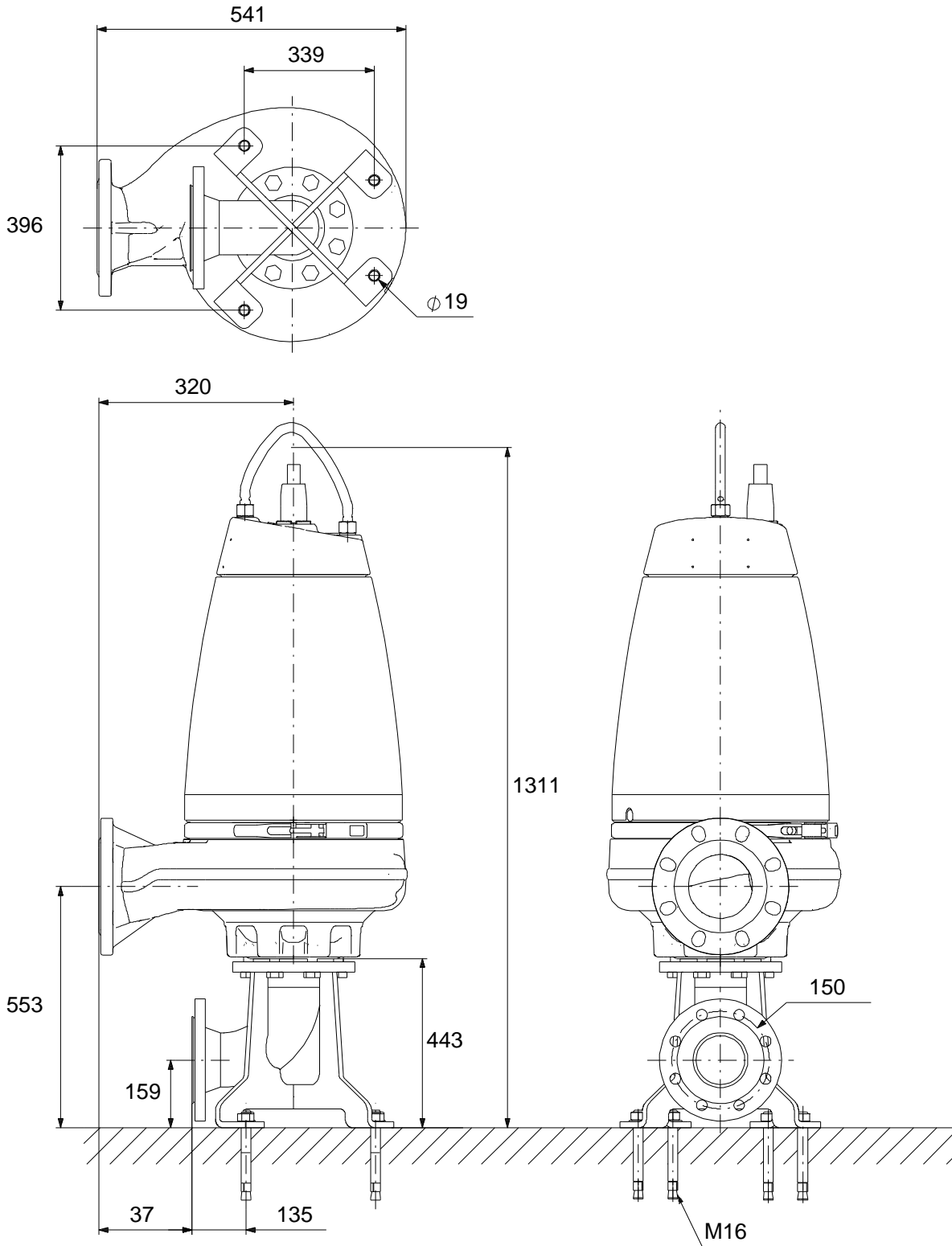
## 96177695 SE1.100.150.55.A.EX.4.51D.B 50 Hz



Note! All units are in [mm] unless others are stated.  
Disclaimer: This simplified dimensional drawing does not show all details.

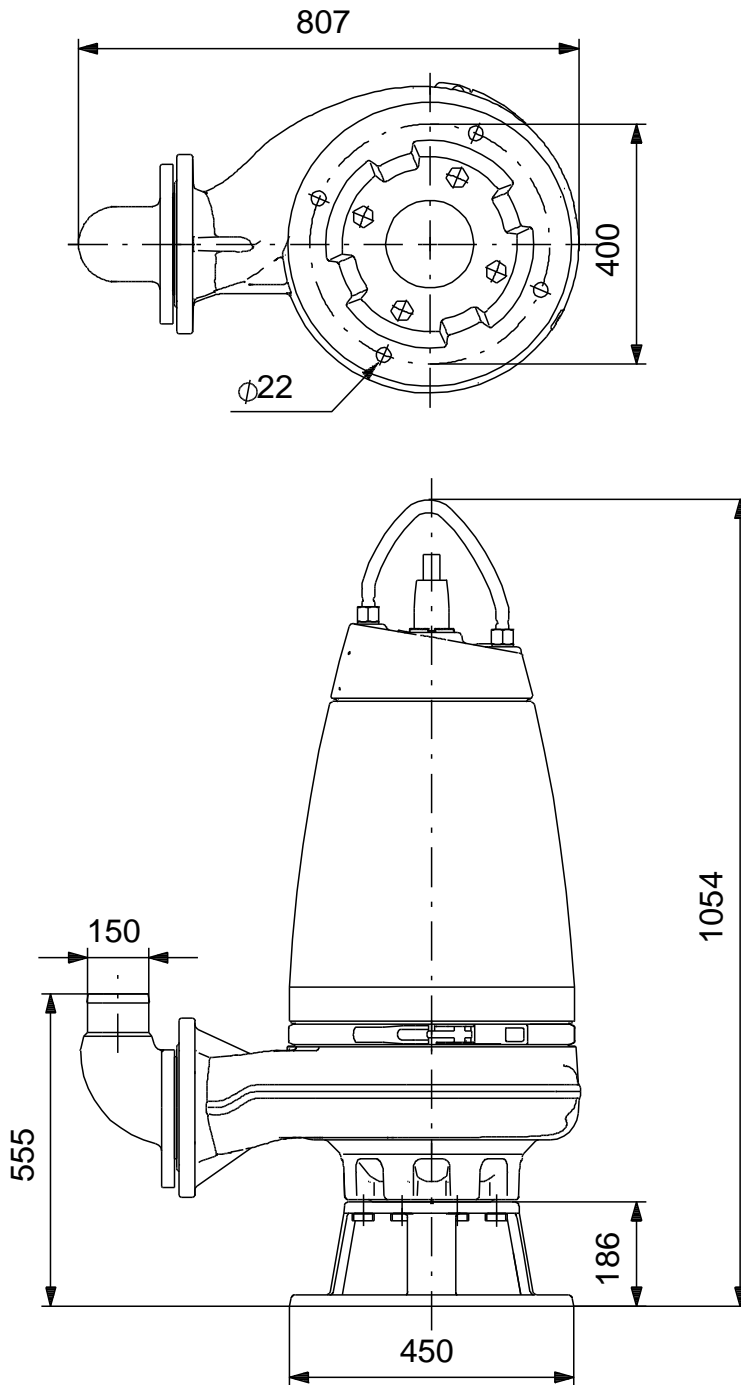


## 96177695 SE1.100.150.55.A.EX.4.51D.B 50 Hz



Note! All units are in [mm] unless others are stated.  
Disclaimer: This simplified dimensional drawing does not show all details.

## 96177695 SE1.100.150.55.A.EX.4.51D.B 50 Hz



Note! All units are in [mm] unless others are stated.  
Disclaimer: This simplified dimensional drawing does not show all details.